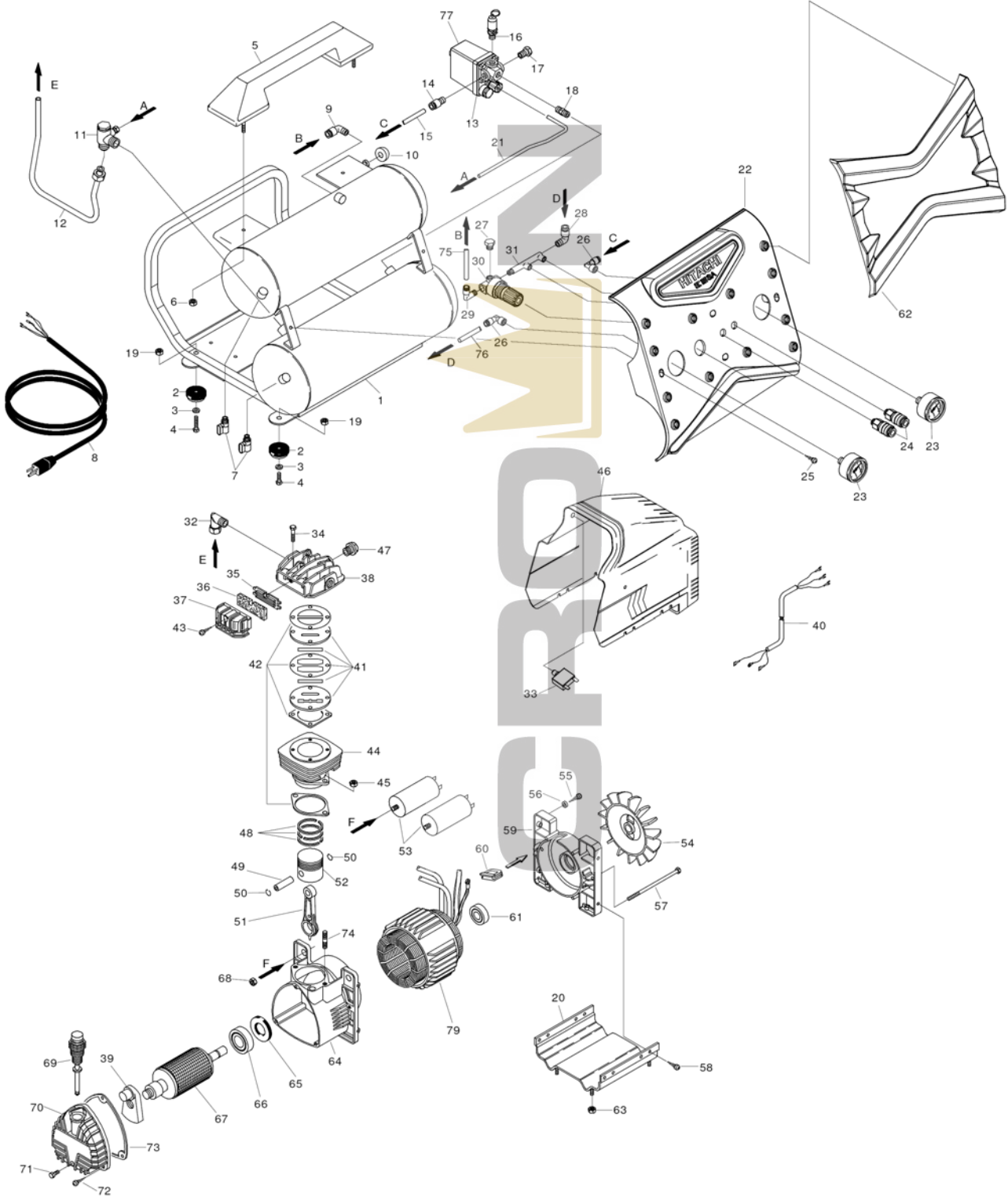


ELECTRIC TOOL PARTS LIST

■ AIR COMPRESSOR
Model EC 119SA

2007 • 04 • 04
(E2)



Parts List

EC119SA

| Item # | Code # | DESCRIPTION | NO USED | Remarks |
|--------|---------|--|---------|------------|
| 1 | 160-577 | TANK (BLACK) | 1 | 9101490050 |
| 2 | 884-421 | RUBBER (SET OF 4) | 4 | 9700000257 |
| 3 | 881-573 | WASHER, (10pcs.) | 4 | 4084500000 |
| 4 | 881-683 | SCREW, (5pcs.) | 4 | 4084060000 |
| 5 | 884-423 | HANDLE | 1 | 4039010000 |
| 6 | 885-557 | NUT FOR CAPACITOR & HANDLE | 2 | 7020240000 |
| 7 | 882-610 | DISCHARGE TAP 1/4", NPT | 2 | 7130440000 |
| 8 | 881-503 | CORD, ELECTRICAL W/GROUND WIRE | 1 | 7328620000 |
| 9 | 884-425 | JOINT | 1 | 7083120000 |
| 10 | 884-453 | KNOB | 2 | 7101660000 |
| 11 | 160-591 | NON RETURN VALVE | 1 | 7190080000 |
| 12 | 884-428 | INFEED TUBE | 1 | 7230880000 |
| 13 | 882-609 | PRESSURE SWITCH, INCLUDES ITEM 17 | 1 | 4089000020 |
| 14 | 881-680 | JOINT | 1 | 7084220000 |
| 15 | 881-675 | TUBE D6 PRECUT | 1 | 4089000019 |
| 16 | 881-493 | SAFETY VALVE 1/4" 10bar | 1 | 7192270000 |
| 17 | 881-513 | PLUG | 1 | 7090070000 |
| 18 | 881-511 | JOINT | 1 | 7081090000 |
| 19 | 881-401 | NUT M6, (10pcs.) | 4 | 4084410000 |
| 20 | 884-452 | BASE | 1 | 5011930008 |
| 21 | 881-675 | TUBE D6 PRECUT | 1 | 4089000019 |
| 22 | 885-802 | INSTRUMENT PANEL | 1 | 9101490020 |
| 23 | 884-430 | PRESURE GAUGE, BSP (160-596, NPT THREAD GAUGE) | 2 | 7110400000 |
| 24 | 191-051 | 1/4"NPTMx1/4"IND COUPLER | 2 | 7130570000 |
| 25 | 884-431 | SCREW, (10pcs.) | 2 | 4084260000 |
| 26 | 884-432 | JOINT | 2 | 7080240000 |
| 27 | 881-678 | PLUG | 1 | 7090010000 |
| 28 | 885-805 | JOINT | 1 | 7080140000 |
| 29 | 884-425 | JOINT | 1 | 7083120000 |
| 30 | 885-807 | PRESSURE REDUCER, (PUSH TO LOCK) | 1 | 7100790000 |
| 31 | 885-808 | MANIFOLD | 1 | 9101490010 |
| 32 | 881-552 | JOINT | 1 | 7084040000 |
| 33 | 881-588 | THERMAL PROTECTOR | 1 | 7410760000 |
| 34 | 881-551 | SCREW, (HEAD BOLT), (5pcs.) | 4 | 4084130000 |
| 35 | 881-453 | FILTER PLATE | 1 | 7458340000 |
| 36 | 881-553 | FILTERING ELEMENT | 1 | 7210010000 |
| 37 | 881-554 | INTAKE FILTER HOUSING | 1 | 7210430000 |
| 38 | 160-581 | HEAD, (INCLUDES ITEM 47) | 1 | 4020800020 |
| 39 | 160-583 | COUNTER WEIGHT | 1 | 9100010290 |
| 40 | 881-518 | ELECTRIC CABLE | 1 | 7329040000 |
| 41 | 881-556 | VALVE PLATE SET | 1 | 4230080000 |
| 42 | 881-555 | Set of 4 Gaskets | 1 | 4089000009 |
| 43 | 881-412 | SCREW, (10pcs.) | 1 | 4084240000 |
| 44 | 881-558 | CYLINDER (CAST IRON) | 1 | 7575240000 |
| 45 | 881-489 | NUT, (10pcs.) | 2 | 4084380000 |
| 46 | 160-584 | HOUSING | 1 | 9100590070 |
| 47 | 160-615 | START VALVE | 1 | 9700000265 |
| 48 | 881-559 | KIT of 3 PISTON RINGS D50 | 1 | 4089000011 |
| 49 | 881-560 | PISTON PIN D12 8x42 | 1 | 7050020000 |
| 50 | 881-463 | RETAINING RING, (5pcs.) | 2 | 4084580000 |

