

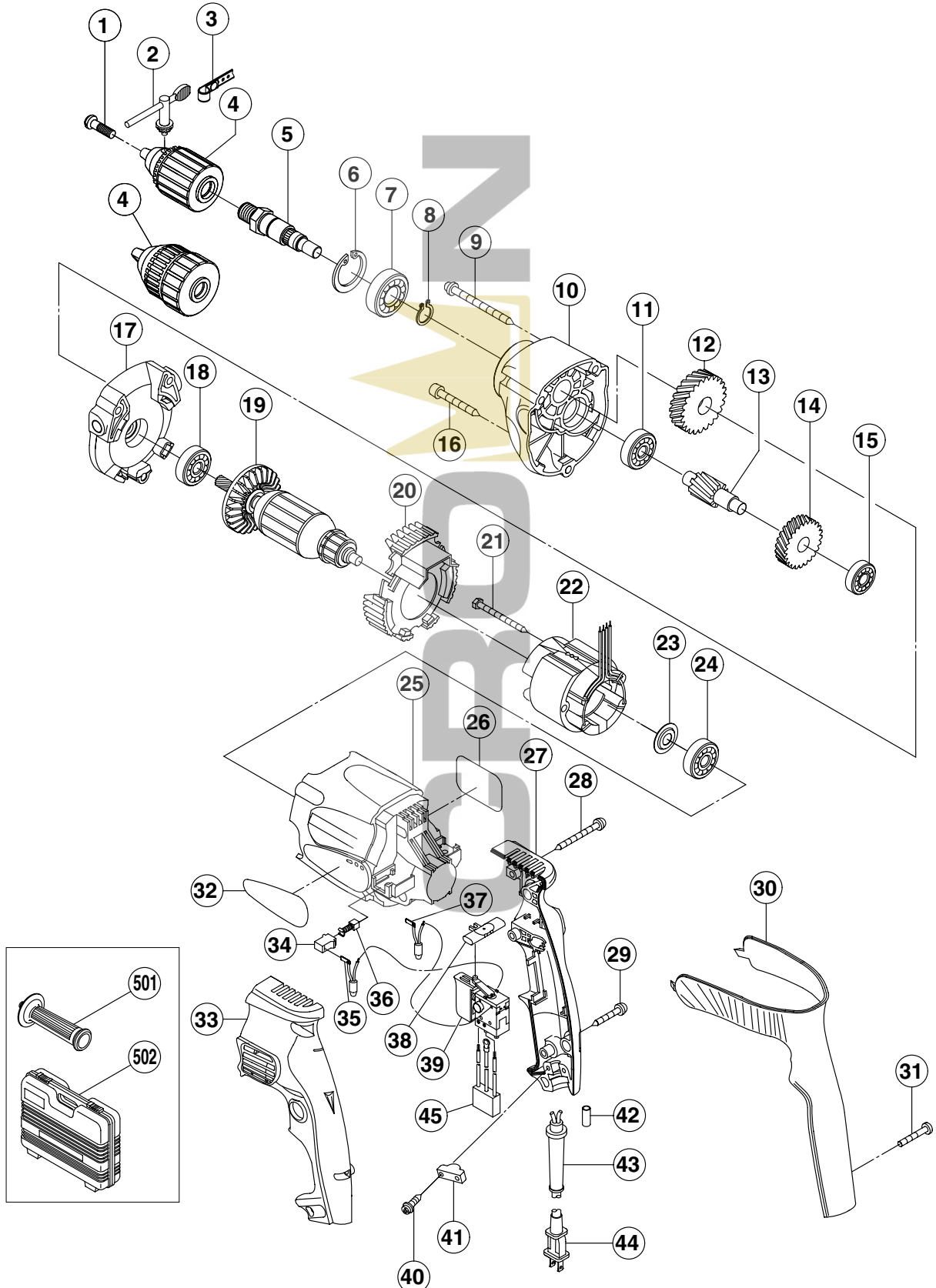
## ELECTRIC TOOL PARTS LIST

### ■ DRILL

2001·8·21

### Model D 10VG

(E2)



**PARTS**

D 10VG

ITEM NO.	CODE NO.	DESCRIPTION	NO. USED	REMARKS
1	311-959	SPECIAL SCREW (LEFT HAND) M6X23	1	
2	319-529	CHUCK WRENCH 10VLR-J	1	
3	950-288	VINYL BAND	1	
* 4	319-342	DRILL CHUCK 10VLR-J	1	INCLUD.2
* 4	319-343	DRILL CHUCK 10VLRD-N (W/O CHUCK WRENCH)	1	
5	319-346	SPINDLE (A)	1	
6	948-001	RETAINING RING FOR D32 HOLE	1	
7	600-2VV	BALL BEARING 6002VVCMP2L	1	
8	939-544	RETAINING RING FOR D15 SHAFT (10 PCS.)	1	
9	305-701	TAPPING SCREW (W/FLANGE) D5X60	2	
10	319-345	GEAR COVER (A)	1	
11	627-VVM	BALL BEARING 627VVC2PS2L	1	
12	319-347	FINAL GEAR (A)	1	
13	319-545	SECOND PINION (A)	1	
14	319-544	FIRST GEAR	1	
15	606-ZZM	BALL BEARING 606ZZC2PS2L	1	
16	316-458	TAPPING SCREW D5X40 (BLACK)	1	
17	319-344	INNER COVER	1	
18	608-DDM	BALL BEARING 608DDC2PS2L	1	
* 19	360-543U	ARMATURE ASS'Y 110V-120V	1	INCLUD.18,23,24
* 19	360-543E	ARMATURE 220V-230V	1	
20	319-329	FAN GUIDE	1	
21	981-421	HEX. HD. TAPPING SCREW D4X55	2	
* 22	340-486C	STATOR 120V	1	
* 22	340-486D	STATOR 110V	1	
* 22	340-504E	STATOR 230V-240V	1	
23	982-631	WASHER (A)	1	
24	608-VVM	BALL BEARING 608VVC2PS2L	1	
25	319-328	HOUSING	1	
26		NAME PLATE	1	
27	319-331	HANDLE (B)	1	
28	303-694	TAPPING SCREW (W/FLANGE) D4X35	2	
29	301-653	TAPPING SCREW (W/FLANGE) D4X20 (BLACK)	1	
30	319-332	GRIP COVER	1	
31	319-337	SCREW (PLASTIC TIE) D4X25	2	
32		HITACHI LABEL	1	
33	319-330	HANDLE (A)	1	
34	955-203	BRUSH HOLDER	2	
* 35	319-341	INTERNAL WIRE (BLUE) 86L	1	FOR USA,CAN
* 35	320-204	CHOKE COIL (BLUE) 110V	1	FOR GBR (110V)
* 35	320-197	CHOKE COIL (BLUE) 220V-240V	1	FOR EUROPE
36	999-041	CARBON BRUSH (1 PAIR)	2	
* 37	319-340	INTERNAL WIRE (BROWN) 86L	1	FOR USA,CAN
* 37	320-203	CHOKE COIL (BROWN) 110V	1	FOR GBR (110V)
* 37	320-196	CHOKE COIL (BROWN) 220V-240V	1	FOR EUROPE
38	316-166	PUSHING BUTTON	1	
* 39	319-339	SWITCH (1P SCREW TYPE) W/LOCK	1	FOR USA,CAN,GBR (110V)
* 39	320-195	SWITCH (1P SCREW TYPE) W/LOCK	1	FOR EUROPE
40	984-750	TAPPING SCREW (W/FLANGE) D4X16	2	
41	937-631	CORD CLIP	1	
42	981-373	TUBE (D)	2	



