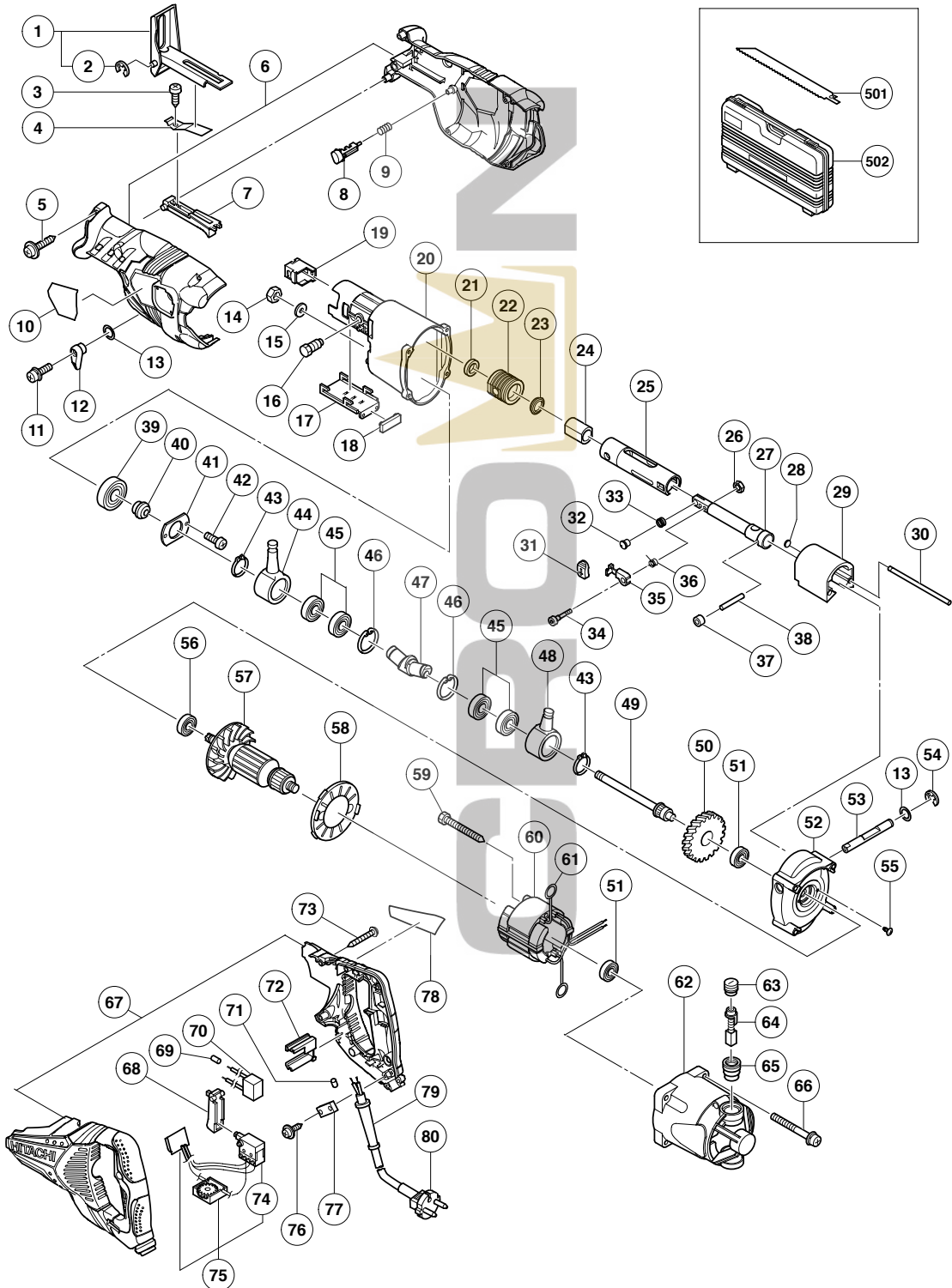


## ELECTRIC TOOL PARTS LIST

### RECIPROCATING SAW Model CR 13VBY

2007 · 2 · 5  
(E1)



**PARTS**

CR 13VBY

| ITEM NO. | CODE NO. | DESCRIPTION                               | NO. USED | REMARKS    |
|----------|----------|---|----------|------------|
| 1        | 326-575  | BASE ASS'Y (C)                            | 1        | INCLUD. 2  |
| 2        | 872-971  | RETAINING RING (E-TYPE) FOR D3 SHAFT      | 1        |            |
| 3        | 327-693  | TAPPING SCREW D4X8 (BLACK)                | 1        |            |
| 4        | 326-595  | HOLD SPRING (C)                           | 1        |            |
| 5        | 307-028  | TAPPING SCREW (W/FLANGE) D4X25 (BLACK)    | 9        |            |
| 6        | 326-584  | FRONT COVER (D).(E) SET                   | 1        |            |
| 7        | 326-597  | BASE LEVER (C)                            | 1        |            |
| 8        | 326-596  | PUSHING BUTTON (C)                        | 1        |            |
| 9        | 326-594  | PUSHING SPRING                            | 1        |            |
| 10       |          | NAME PLATE                                | 1        |            |
| 11       | 303-851  | SEAL LOCK SCREW (W/WASHERS) M4X10 (BLACK) | 1        |            |
| 12       | 326-593  | CHANGE KNOB (C)                           | 1        |            |
| 13       | 872-654  | O-RING (1AP-10)                           | 2        |            |
| 14       | 327-325  | NUT M8                                    | 1        |            |
| 15       | 327-114  | WASHER (G)                                | 1        |            |
| 16       | 318-493  | BOLT M10                                  | 2        |            |
| 17       | 326-574  | BASE ADAPTER (C)                          | 1        |            |
| 18       | 326-779  | CUSHION RUBBER (C)                        | 1        |            |
| 19       | 326-589  | BLADE HOLDER (C)                          | 1        |            |
| 20       | 327-116  | GEAR COVER (D)                            | 1        |            |
| 21       | 318-458  | FELT WASHER                               | 1        |            |
| 22       | 326-576  | SEAL SLEEVE (C)                           | 1        |            |
| 23       | 318-459  | V-RING                                    | 1        |            |
| 24       | 326-579  | METAL (C)                                 | 1        |            |
| 25       | 326-578  | GUIDE SLEEVE (C) ASS'Y                    | 1        | INCLUD. 24 |
| 26       | 949-566  | LOCK NUT M5 (10 PCS.)                     | 1        |            |
| 27       | 326-580  | PLUNGER (C)                               | 1        |            |
| 28       | 327-123  | RUBBER SPACER                             | 2        |            |
| 29       | 327-122  | COUNTER WEIGHT (D)                        | 1        |            |
| 30       | 327-121  | WEIGHT SHAFT (D)                          | 2        |            |
| 31       | 321-130  | CAP                                       | 1        |            |
| 32       | 321-134  | HOLDER PIN (B)                            | 1        |            |
| 33       | 318-483  | SPRING (B)                                | 1        |            |
| 34       | 326-590  | SPECIAL BOLT M5                           | 1        |            |
| 35       | 326-588  | LEVER (C)                                 | 1        |            |
| 36       | 326-591  | BLADE SPRING                              | 1        |            |
| 37       | 327-124  | SWING ROLLER                              | 2        |            |
| 38       | 326-585  | PIN D6                                    | 1        |            |
| 39       | 600-3DD  | BALL BEARING 6003DDCMPS2S                 | 1        |            |
| 40       | 327-118  | SUB SHAFT (D)                             | 1        |            |
| 41       | 318-476  | BEARING COVER (B)                         | 1        |            |
| 42       | 326-573  | SEAL LOCK SCREW M4X10                     | 2        |            |
| 43       | 967-261  | RETAINING RING FOR D17 SHAFT              | 2        |            |
| 44       | 326-581  | RECIPRO PLATE (C)                         | 1        |            |
| 45       | 327-694  | BALL BEARING 6003VVCM (NYLON RETAINER)    | 4        |            |
| 46       | 939-556  | RETAINING RING FOR D35 HOLE (10 PCS.)     | 2        |            |
| 47       | 327-119  | SECOND SHAFT (D)                          | 1        |            |
| 48       | 327-115  | RECIPRO PLATE (D)                         | 1        |            |
| 49       | 327-120  | SECOND SHAFT (E)                          | 1        |            |
| 50       | 318-473  | GEAR                                      | 1        |            |
| 51       | 608-VVM  | BALL BEARING 608VVC2PS2L                  | 2        |            |

**PARTS**

CR 13VBY

| ITEM NO. | CODE NO. | DESCRIPTION | NO. USED                                   | REMARKS |  |
|----------|----------|-------------|--|---------|--|
|          | 52       | 327-117     | INNER COVER (D)                            | 1       |  |
| *        | 53       | 326-602     | CHANGE SHAFT (C1)                          | 1       |  |
| *        | 53       | 326-603     | CHANGE SHAFT (C2)                          | 1       | FOR USA, CAN                               |
|          | 54       | 974-577     | RETAINING RING (E-TYPE) FOR D7 SHAFT       | 1       |  |
|          | 55       | 314-430     | SLOTTED HD. SCREW (SEAL LOCK) M4X10        | 2       |  |
|          | 56       | 600-1VV     | BALL BEARING 6001VVCMP2L                   | 1       |  |
| *        | 57       | 360-795C    | ARMATURE 110V                              | 1       |  |
| *        | 57       | 360-795U    | ARMATURE ASS'Y 120V                        | 1       | INCLUD. 51, 56                             |
| *        | 57       | 360-795E    | ARMATURE 230V                              | 1       |  |
| *        | 57       | 360-795F    | ARMATURE 240V                              | 1       |  |
|          | 58       | 318-467     | FAN GUIDE                                  | 1       |  |
|          | 59       | 953-174     | HEX. HD. TAPPING SCREW D5X55               | 2       |  |
| *        | 60       | 340-698C    | STATOR ASS'Y 110V                          | 1       | INCLUD. 61                                 |
| *        | 60       | 340-698D    | STATOR ASS'Y 120V                          | 1       | INCLUD. 61                                 |
| *        | 60       | 340-698E    | STATOR ASS'Y 230V                          | 1       | INCLUD. 61                                 |
| *        | 60       | 340-698F    | STATOR ASS'Y 240V                          | 1       | INCLUD. 61                                 |
|          | 61       | 930-703     | BRUSH TERMINAL                             | 2       |  |
|          | 62       | 327-126     | HOUSING                                    | 1       |  |
|          | 63       | 945-161     | BRUSH CAP                                  | 2       |  |
|          | 64       | 999-043     | CARBON BRUSH (1 PAIR)                      | 2       |  |
|          | 65       | 958-900     | BRUSH HOLDER                               | 2       |  |
|          | 66       | 307-224     | MACHINE SCREW (W/WASHERS) M5X60 (BLACK)    | 4       |  |
| *        | 67       | 326-600     | HANDLE (E).(F) SET                         | 1       |  |
| *        | 67       | 326-599     | HANDLE (E).(F) SET                         | 1       | FOR AUS, NZL                               |
|          | 68       | 322-133     | SWITCH TRIGGER                             | 1       |  |
| *        | 69       | 981-373     | TUBE (D)                                   | 1       | FOR SIN, KUW, IND                          |
| *        | 69       | 981-373     | TUBE (D)                                   | 2       | EXCEPT FOR SIN, KUW, IND, USA, CAN         |
| *        | 70       | 930-039     | NOISE SUPPRESSOR                           | 1       | EXCEPT FOR SIN, KUW, IND, USA, CAN         |
|          | 71       | 981-373     | TUBE (D)                                   | 2       | FOR CORD                                   |
|          | 72       | 326-598     | TRIAC HOLDER                               | 1       |  |
|          | 73       | 305-490     | TAPPING SCREW (W/FLANGE) D4X30 (BLACK)     | 2       |  |
| *        | 74       | 321-960     | SWITCH (1P SCREW TYPE)                     | 1       |  |
| *        | 74       | 321-961     | SWITCH (1P SCREW TYPE)                     | 1       | FOR GBR (110V)                             |
| *        | 74       | 321-962     | SWITCH (1P SCREW TYPE) W/SAFETY LOCK       | 1       | FOR AUS, NZL                               |
| *        | 74       | 321-959     | SWITCH (1P SCREW TYPE)                     | 1       | FOR USA, CAN                               |
| *        | 75       | 318-505     | SWITCH ASS'Y (1P SCREW TYPE)               | 1       | INCLUD. 74                                 |
| *        | 75       | 318-817     | SWITCH ASS'Y (1P SCREW TYPE)               | 1       | INCLUD. 74 FOR GBR (110V)                  |
| *        | 75       | 320-142     | SWITCH ASS'Y (1P SCREW TYPE) W/SAFETY LOCK | 1       | INCLUD. 74 FOR AUS, NZL                    |
| *        | 75       | 318-504     | SWITCH ASS'Y (1P SCREW TYPE)               | 1       | INCLUD. 74 FOR USA, CAN                    |
|          | 76       | 984-750     | TAPPING SCREW (W/FLANGE) D4X16             | 2       |  |
|          | 77       | 937-631     | CORD CLIP                                  | 1       |  |
|          | 78       |             | HITACHI LABEL                              | 1       |  |
|          | 79       | 953-327     | CORD ARMOR D8.8                            | 1       |  |
| *        | 80       | 500-234Z    | CORD                                       | 1       | (CORD ARMOR D8.8)                          |
| *        | 80       | 500-247Z    | CORD                                       | 1       | (CORD ARMOR D8.8) FOR FIN, NOR, SWE, DEN   |
| *        | 80       | 500-435Z    | CORD                                       | 1       | (CORD ARMOR D8.8) FOR SIN, KUW, GBR (230V) |
| *        | 80       | 500-461Z    | CORD                                       | 1       | (CORD ARMOR D8.8) FOR GBR (110V)           |
| *        | 80       | 500-439Z    | CORD                                       | 1       | (CORD ARMOR D8.8) FOR AUS, NZL             |
| *        | 80       | 500-434Z    | CORD                                       | 1       | (CORD ARMOR D8.8) FOR USA, CAN             |

