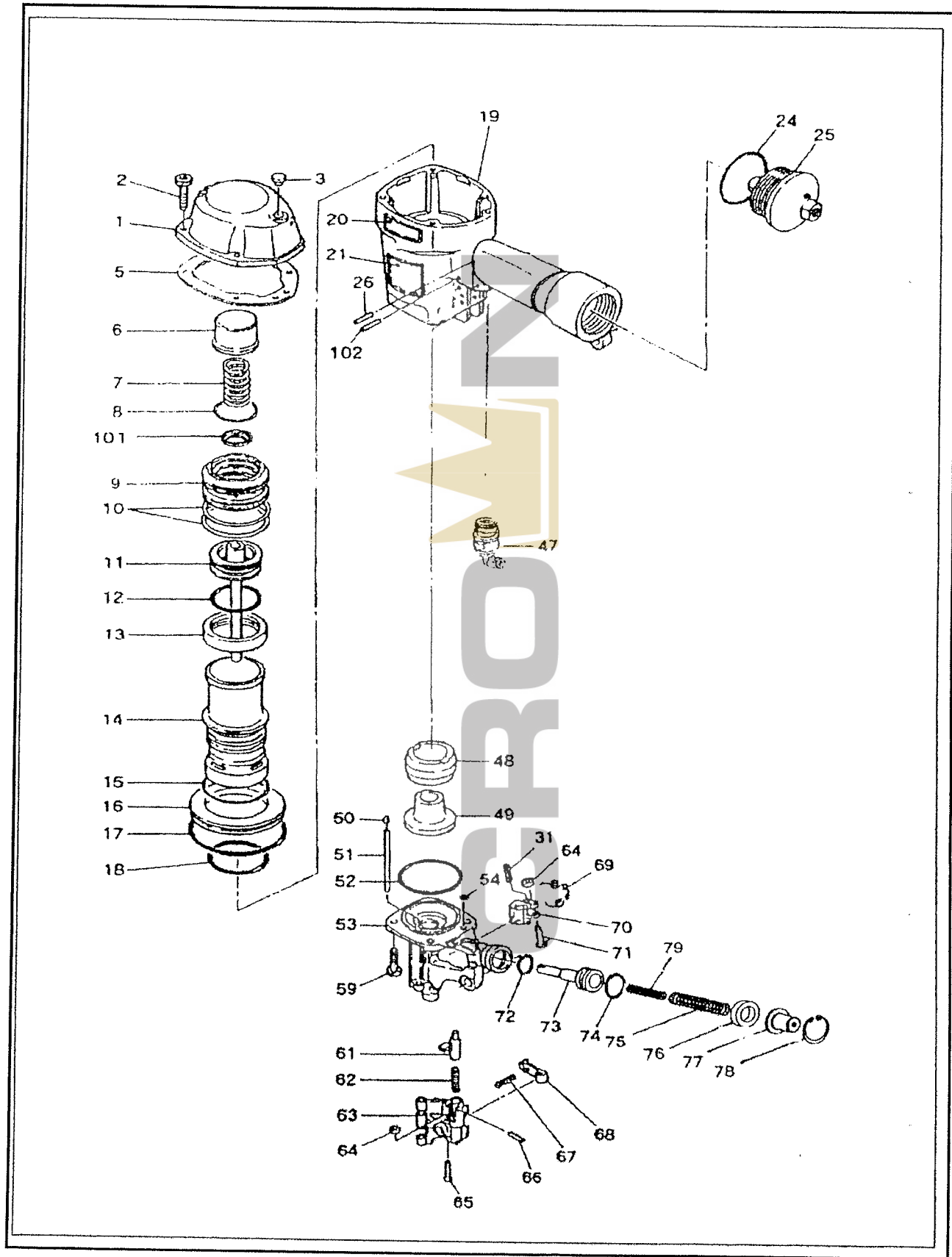


CN70/PAL

PNEUMATIC COIL NAILER FOR AUTOMATION MACHINE



CN70/PAL

PNEUMATIC COIL NAILER FOR AUTOMATION MACHINE

ITEM NO.	PART NO.	DESCRIPTION
1	CN34422	CYLINDER CAP UNIT
2	BB40422	SCREW M6X30
3	TA12319	GROMMET
5	CN34467	CYLINDER CAP SEAL
6	CN31555	PISTON STOP
7	KK23195	SPRING 3195
8	HH19142	O-RING 1AG 3X41.6
9	CN35826	HEAD VALVE PISTON
10	HH19195	O-RING 1A 3X56.8
11	CN31657	MAIN PISTON UNIT
12	HH19196	O-RING 1A 4.9X43
13	CN31560	CYLINDER SEAL
14	CN31558	CYLINDER
15	HH19192	O-RING 3.1X56.5
16	CN31559	CYLINDER RING
17	HH12117	O-RING AG85
18	HH11169	O-RING AP56
19	CN34441	FRAME
20	CN34426	"CN70" LABEL
21	CN34726	WARNING LABEL
24	HH12102	O-RING 1 AG 50
※25	NG12742	END CAP
26	FF21229	ROLL PIN 3X20
31	FF21220	ROLL PIN 3X16
※47	XB93106	REMOTE CONTROL VALVE FOR CN70-5/32"
48	CN31563	BUMPER A
49	CN31564	BUMPER B
50	CN31594	PIN CAP
51	FF31127	STRAIGHT PIN 1127
52	HH19139	O-RING A 1.5X53.5
※53	NG12881	NOSE UNIT
54	HH19125	O-RING A1.6X4.2
59	BB40443	SCREW M8 X 28
61	CN30587	DOOR LATCH
62	KK23123	COMPRESSION SPRING 3123
63	CN34427	DOOR
64	EE39602	RUBBER WASHER 7
65	FF41286	STEP PIN 1286
66	FF21234	ROLL PIN 3 X 12
67	KK23109	COMPRESSION SPRING 3109
68	CN30584	CHECK PAWL CN65056
69	KK33058	TORSION SPRING 3058
70	CN31568	FEED PAWL
71	FF41263	STEP PIN 1263
72	HH11132	O-RING 1AP10A
73	CN31569	FEED PISTON
74	HH11143	O-RING AP21
75	KK23225	COMPRESSION
76	CN31570	FEED PISTON STOP
77	CN31571	SPRING COLLAR
78	JJ22407	RETAINING RING 26
※79	KK23737	COMPRESSION SPRING 3737
101	CN34453	HEAD VALVE WASHER
102	FF21611	ROLL PIN 3X32 AW

※Special Parts for PAL

※ 103 MUZ0007 DRIVER GUIDE (NOT SHOWN)