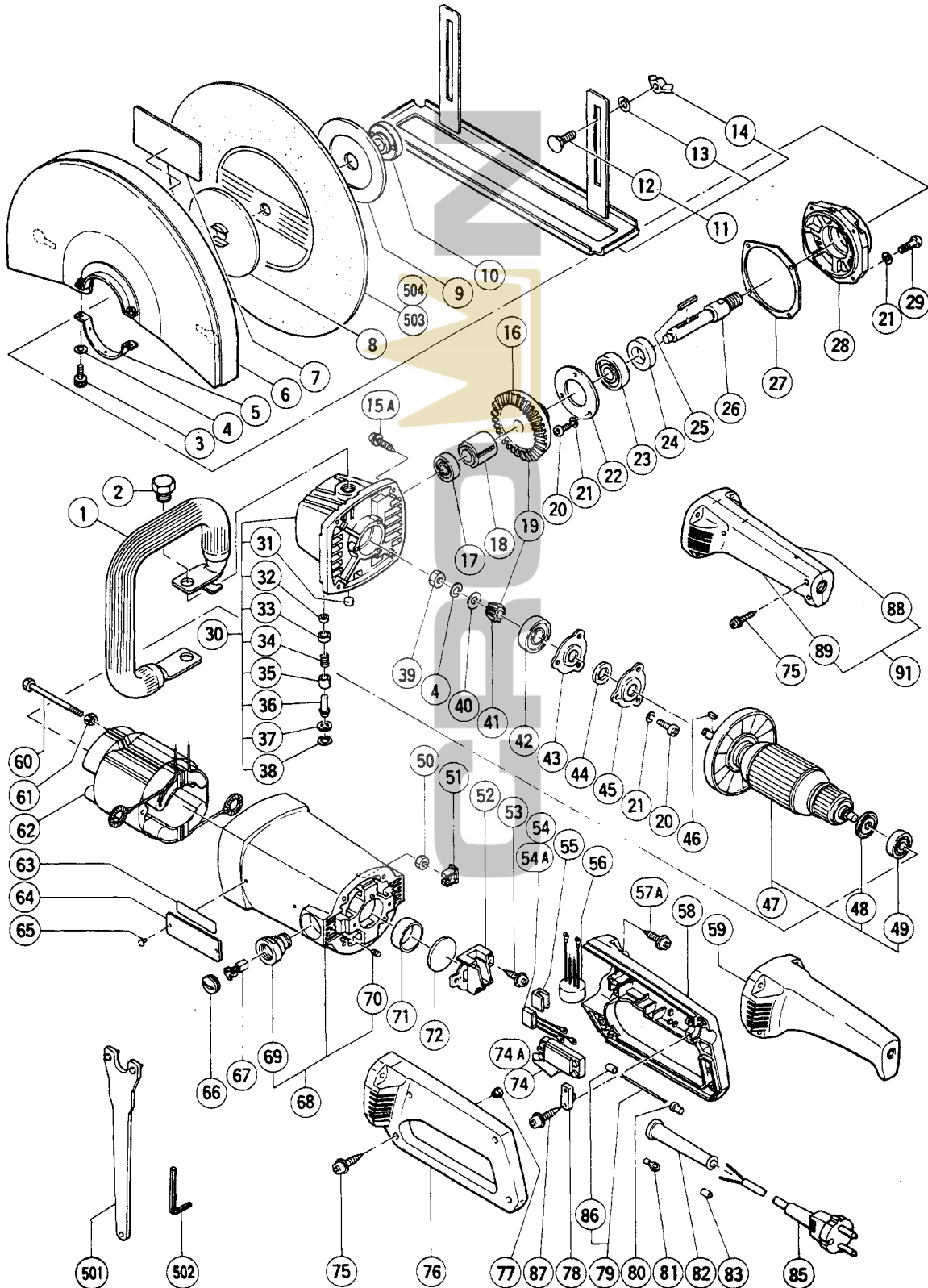


ELECTRIC TOOL PARTS LIST

■ PORTABLE CUT - OFF MACHINE
Model CC 12Y

1993 · 2 · 2
(E4)



PARTS

CC 12Y

ITEM NO.	CODE NO.	DESCRIPTION	NO. USED	REMARKS
1	985-598	PIPE HANDLE	1	
2	985-597	BOLT M14	2	
3	949-656	HEX. SOCKET HD. BOLT M8X20 (10 PCS.)	2	
4	949-457	SPRING WASHER M8 (10 PCS.)	3	
5	985-599	SET RING (A)	1	
6	985-594	WHEEL GUARD	1	
7	985-604	LABEL	1	
*	8	985-601	1	WHEEL WASHER (D14/22)
*	8	985-600	1	WHEEL WASHER (D16/25.4) FOR USA,CAN,AUS
	9	985-593	1	INNER WASHER
*	10	937-909Z	1	WHEEL NUT M14X2
*	10	937-923P	1	WHEEL NUT 5/8" - 11UNC FOR USA,CAN,AUS
	11	985-595	1	BASE ASS'Y INCLUD.12 - 14
	12	985-596	2	BOLT (SQUARE) M8
	13	949-433	2	BOLT WASHER M8 (10 PCS.)
	14	949-312	2	WING NUT M8 (10 PCS.)
	15A	937-807	4	TAPPING SCREW D5X25
	16	985-591	1	GEAR
	17	620-0VV	1	BALL BEARING 6200VVCMP2S
	18	938-096	1	SLEEVE
	19	985-590	1	GEAR ASS'Y INCLUD.16,41
	20	949-236	6	MACHINE SCREW M5X10 (10 PCS.)
	21	949-454	10	SPRING WASHER M5 (10 PCS.)
	22	937-035	1	BEARING COVER (B)
	23	630-2VV	1	BALL BEARING 6302VVCMP2S
	24	938-099	1	FELT PACKING (B)
	25	948-920	1	FEATHER KEY 4X4X30
*	26	985-614	1	SPINDLE M14X2
*	26	985-615	1	SPINDLE 5/8" - 11UNC FOR USA,CAN,AUS
	27	937-901	1	SEAL PACKING (B)
	28	937-902	1	PACKING GLAND
	29	949-239	4	MACHINE SCREW M5X16 (10 PCS.)
	30	938-187	1	GEAR COVER ASS'Y INCLUD.31 - 38
	31	937-033	1	FELT WASHER
	32	938-599	1	FELT PACKING (C)
	33	938-598	1	BUSHING
	34	938-597	1	SPRING
	35	938-596	1	RING
	36	938-186	1	LOCK PIN
	37	938-595	1	DUST SEAL
	38	948-011	1	RETAINING RING FOR D16 HOLE
	39	949-568	1	LOCK NUT M8 (10 PCS.)
	40	949-426	1	WASHER M8 (10 PCS.)
	41	985-592	1	PINION
	42	630-1VV	1	BALL BEARING 6301VVCMP2S
	43	937-940	1	DISTANCE PLATE
	44	936-853	1	FELT PACKING (A)
	45	937-896	1	BEARING COVER (A)
	46	940-533	1	FEATHER KEY 3X3X10
*	47	985-602U	1	ARMATURE ASS'Y 110V - 127V INCLUD.42,48,49
*	47	985-602E	1	ARMATURE ASS'Y 220V - 240V INCLUD.48,49

*: ALTERNATIVE PARTS

PARTS

CC 12Y

ITEM NO.	CODE NO.	DESCRIPTION	NO. USED	REMARKS
48	955-260	DUST SEAL (A)	1	
49	620-0VV	BALL BEARING 6200VVCMP2S	1	
50	949-555	NUT M5 (10 PCS.)	2	
51	937-892	NUT COVER	2	
* 52	937-905	BEARING COVER	1	
* 52	937-926Z	BEARING COVER	1	FOR NZL
53	930-446	TAPPING SCREW (W/WASHER) D4X16	3	
* 54	960-283Z	NOISE SUPPRESSOR	1	FOR SUI
* 54A	994-273	NOISE SUPPRESSOR	1	
* 55	930-153	SUPPORT (B)	1	FOR AUT,GBR,FRG,FRA,HOL,DEN,SWE,NOR
* 56	500-323	CHOKE COIL	1	FOR NZL
57A	985-620	TAPPING SCREW (W/FLANGE) D5X25	4	
* 58	981-005	HANDLE (A)	1	D HANDLE TYPE
* 59	981-686P	HANDLE (C)	1	BAR HANDLE TYPE FOR USA,CAN
60	937-925	BOLT (+HD.) M5X80	2	
61	956-764	SPECIAL WASHER	2	
* 62	937-941A	STATOR 110V	1	
* 62	937-941E	STATOR ASS'Y 220V - 230V	1	
* 62	937-941F	STATOR ASS'Y 240V	1	
* 62	981-682D	STATOR ASS'Y 110V - 127V	1	FOR USA,CAN
* 63		CAUTION PLATE	1	
* 64		NAME PLATE	1	
65	949-510	RIVET D2.5X4.8 (10 PCS.)	2	
* 66	940-540	BRUSH CAP	2	
* 66	937-949	BRUSH CAP	2	FOR AUT
67	999-044	CARBON BRUSH (1 PAIR)	2	
67	937-943Z	CARBON BRUSH (AUTO STOP TYPE) (1 PAIR)	2	
* 68	985-612	HOUSING ASS'Y	1	INCLUD.69,70
* 68	985-613	HOUSING ASS'Y	1	INCLUD.69,70 FOR AUT
* 69	980-487	BRUSH HOLDER	2	
* 69	937-948	BRUSH HOLDER	2	FOR AUT
70	961-681	HEX. SOCKET SET SCREW M4X5	2	
71	937-894	BEARING BUSHING	1	
72	937-946	BEARING SEAL	1	
* 74	500-339	SWITCH (2P SCREW TYPE) W/LOCK	1	FOR NZL
* 74	937-985Z	SWITCH (2P PILLAR TYPE) W/SAFETY LOCK	1	FOR SWE
* 74	981-685P	SWITCH (2P SCREW TYPE) W/O LOCK	1	FOR USA,CAN
* 74A	981-532	SWITCH (2P PILLAR TYPE) W/LOCK	1	
* 75	956-636	TAPPING SCREW (W/WASHER) D4X25	4	
* 75	982-095	TAPPING SCREW (W/WASHER) D4X20	3	FOR SWE
* 76	981-006	HANDLE (B)	1	D HANDLE TYPE
* 77	943-736	PACKING	1	
* 78	960-266	CORD CLIP	1	
* 78	937-904	CORD CLIP	1	FOR USA,CAN
* 79	937-939Z	INTERNAL WIRE ASS'Y	2	INCLUD.86
* 80	959-141	CONNECTOR 50092 (10 PCS.)	2	
* 81	938-108	TERMINAL	1	FOR AUT,GBR,FRG,FRA,HOL,DEN,SWE,NOR
* 81	930-804	TERMINAL M4.0 (10 PCS.)	2	FOR NZL
* 81	959-144	TERMINAL 50051 (10 PCS.)	2	FOR NZL
* 82	958-049Z	CORD ARMOR D8.2	1	
* 82	940-778	CORD ARMOR D10.7	1	

*: ALTERNATIVE PARTS

PARTS

CC 12Y

ITEM NO.	CODE NO.	DESCRIPTION	NO. USED	REMARKS
* 83	981-373	TUBE (D)	2	FOR SYR
* 85	500-214Z	CORD	1	(CORD ARMOR D10.7)
* 85	500-223Z	CORD	1	(CORD ARMOR D10.7) FOR SIN,KUW
* 85	500-234Z	CORD	1	(CORD ARMOR D8.2) FOR INA,SUR
* 85	500-236Z	CORD	1	(CORD ARMOR D8.2) FOR NZL
* 85	500-242Z	CORD	1	(CORD ARMOR D10.7) FOR USA,CAN
* 85	500-245Z	CORD	1	(CORD ARMOR D10.7) FOR SYR
* 85	500-246Z	CORD	1	(CORD ARMOR D10.7) FOR GBR
* 85	500-247Z	CORD	1	(CORD ARMOR D10.7) FOR ITA,FRG,FRA, HOL,DEN,SWE,AUT,NOR
* 85	500-248Z	CORD	1	(CORD ARMOR D10.7) FOR SUI
* 85	500-411Z	CORD	1	(CORD ARMOR D10.7) FOR AUS
* 86	981-373	TUBE (D)	2	
* 87	930-446	TAPPING SCREW (W/WASHER) D4X16	2	
* 87	949-218	MACHINE SCREW M4X14 (10 PCS.)	2	FOR USA,CAN
* 87	949-453	SPRING WASHER M4 (10 PCS.)	2	FOR USA,CAN
* 88	937-986	BAR HANDLE (A)	1	FOR SWE,FRA,DEN
* 89	937-987	BAR HANDLE (B)	1	FOR SWE,FRA,DEN
* 91	937-990	BAR HANDLE ASS'Y	1	INCLUD.88,89 FOR SWE,FRA,DEN

STANDARD ACCESSORIES

ITEM NO.	CODE NO.	DESCRIPTION	NO. USED	REMARKS
501	985-607	WRENCH	1	
502	872-422	HEX. BAR WRENCH 6MM	1	
* 503	985-609	CUT - OFF WHEEL FOR METAL D22 (10 PCS.)	1	
* 503	985-608	CUT - OFF WHEEL FOR METAL D25.4 (10 PCS.)	1	FOR USA,CAN,AUS
* 504	985-611	CUT - OFF WHEEL FOR STONE D22 (10 PCS.)	1	
* 504	985-610	CUT - OFF WHEEL FOR STONE D25.4 (10 PCS.)	1	FOR USA,CAN,AUS

OPTIONAL ACCESSORIES

ITEM NO.	CODE NO.	DESCRIPTION	NO. USED	REMARKS
601	937-915	THRUST WASHER (B)	2	
* 602	985-618	DIAMOND WHEEL (SEGMENT) 305MMXD22.2 HOLE	1	SEGMENT TYPE FOR CONCRETE
* 603	985-619	DIAMOND WHEEL (SEGMENT) 305MMXD22.2 HOLE	1	WAVE SHAPE TYPE FOR CONCRETE
* 604	306-433	DIAMOND WHEEL (SEGMENT) 305MM - D25.4 HOLE	1	SEGMENT TYPE FOR CONCRETE
* 605	306-434	DIAMOND WHEEL (SEGMENT) 305MM - D25.4 HOLE	1	WAVE SHAPE TYPE FOR CONCRETE

* : ALTERNATIVE PARTS