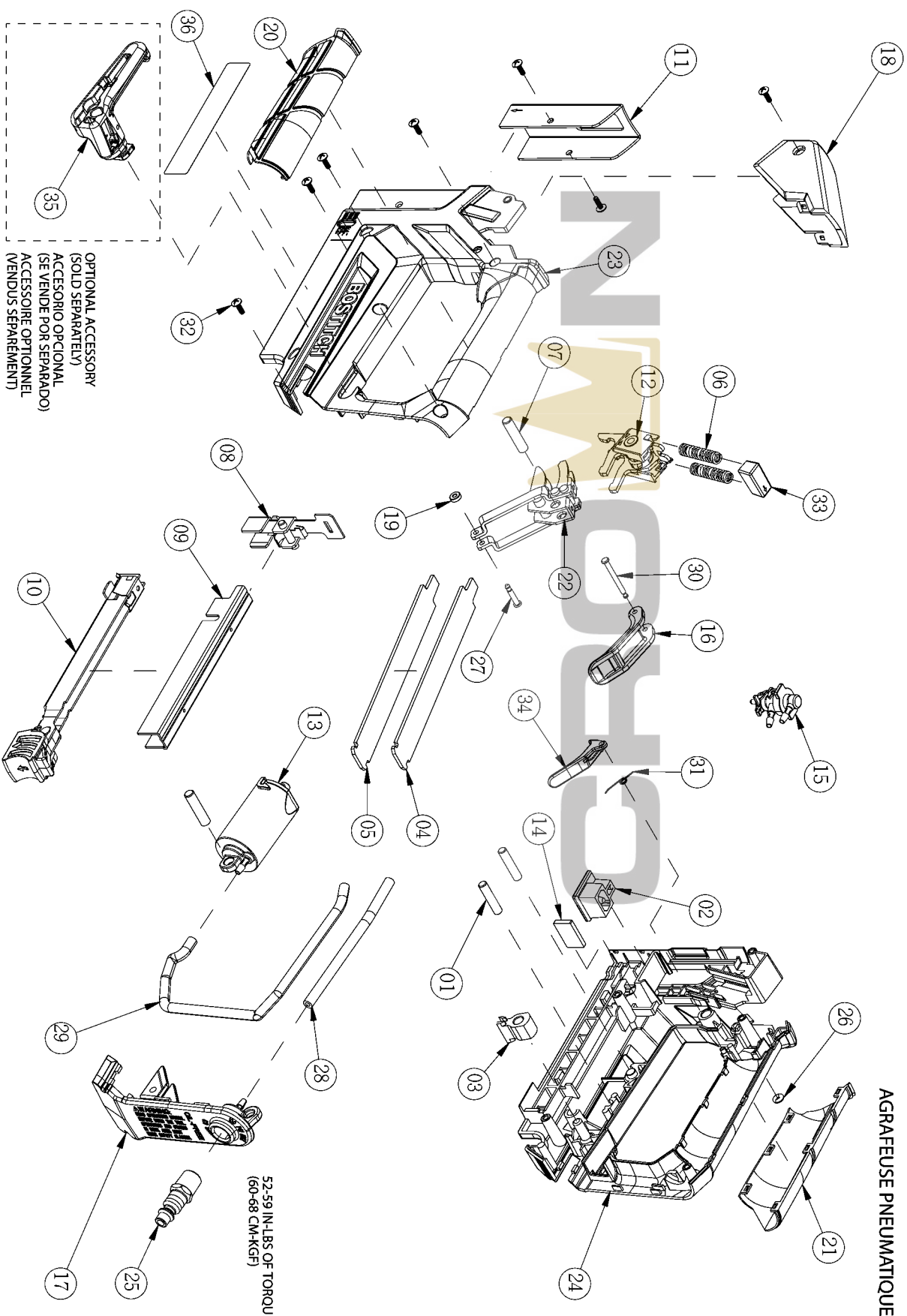


BTFP71875

PNEUMATIC STAPLER
 ENGRAPADORA NEUMÁTICA
 AGRAFEUSE PNEUMATIQUE



52-59 IN-LBS OF TORQUE
 (60-68 CM-KGF)

OPTIONAL ACCESSORY
 (SOLD SEPARATELY)
 ACCESORIO OPCIONAL
 (SE VENDE POR SEPARADO)
 ACCESSOIRE OPTIONNEL
 (VENDUS SEPARÉMENT)

Parts List for BTFP71875 Type 1

Item Number	Part Number	Description	Qty Required
1	9R201517	PIN, OD 5.5MMX26MM	1
2	9R201518	BUMPER	1
3	9R201519	STOPPER	1
4	9R201522	UPPER POWER SPRING	1
5	9R201521	LOWER POWER SPRING	1
6	9R201523	RETURN SPRING	2
7	9R201524	PIN, OD 6.3MM X2 6MM	2
8	9R205235	DRIVER ASSEMBLY	1
9	9R201529	MAGAZINE LINER	1
10	9R201554	MAGAZINE CORE ASSEM.	1
11	9R201539	NOSE COVER	1
12	9R201556	LIFTER ASSEMBLY	1
13	9R205236	CYLINDER ASSEMBLY	1
14	9R200639	BUMPER	1
15	9R201508	TRIGGER VALVE ASSEM	1
16	9R201449	TRIGGER	1
17	9R201692	END CAP	1
18	9R201691	TOP CAP	1
19	9R201510	RETAINING RING	1
20	9R201689	HANDLE GRIP, FRONT	1
21	9R201690	HANDLE GRIP, BACK	1
22	9R205228	SWING FORK ASSEM.	1
23	9R201686	FRONT HOUSING	1
24	9R201687	BACK HOUSING	1
25	152183	CONNECTOR MALE 1/4NP	1
26	174073	O-RING	1
27	9R200700	CLEVIS PIN	1

COPYRIGHT© 2005. All Rights Reserved.

Parts list, pricing, and availability subject to change. Please visit www.dewaltservicenet.com for current parts information.

Parts List for BTFP71875 Type 1

Item Number	Part Number	Description	Qty Required
28	9R201463	INLET TUBING	1
29	9R201464	CYLINDER TUBING	1
30	9R201465	TRIGGER PIN	1
31	9R201708	TORSION SPRING	1
32	9R201557	SCREW, #6-32 X 9.5MM	7
33	9R201707	SPRING HOLDER	1
34	9R201750	SECONDARY TRIGGER	1
35	9R195323	ASSEMBLY-BELT HOOK	1
36	9R197906	MODEL LABEL	1



COPYRIGHT© 2005. All Rights Reserved.

Parts list, pricing, and availability subject to change. Please visit www.dewaltservicenet.com for current parts information.