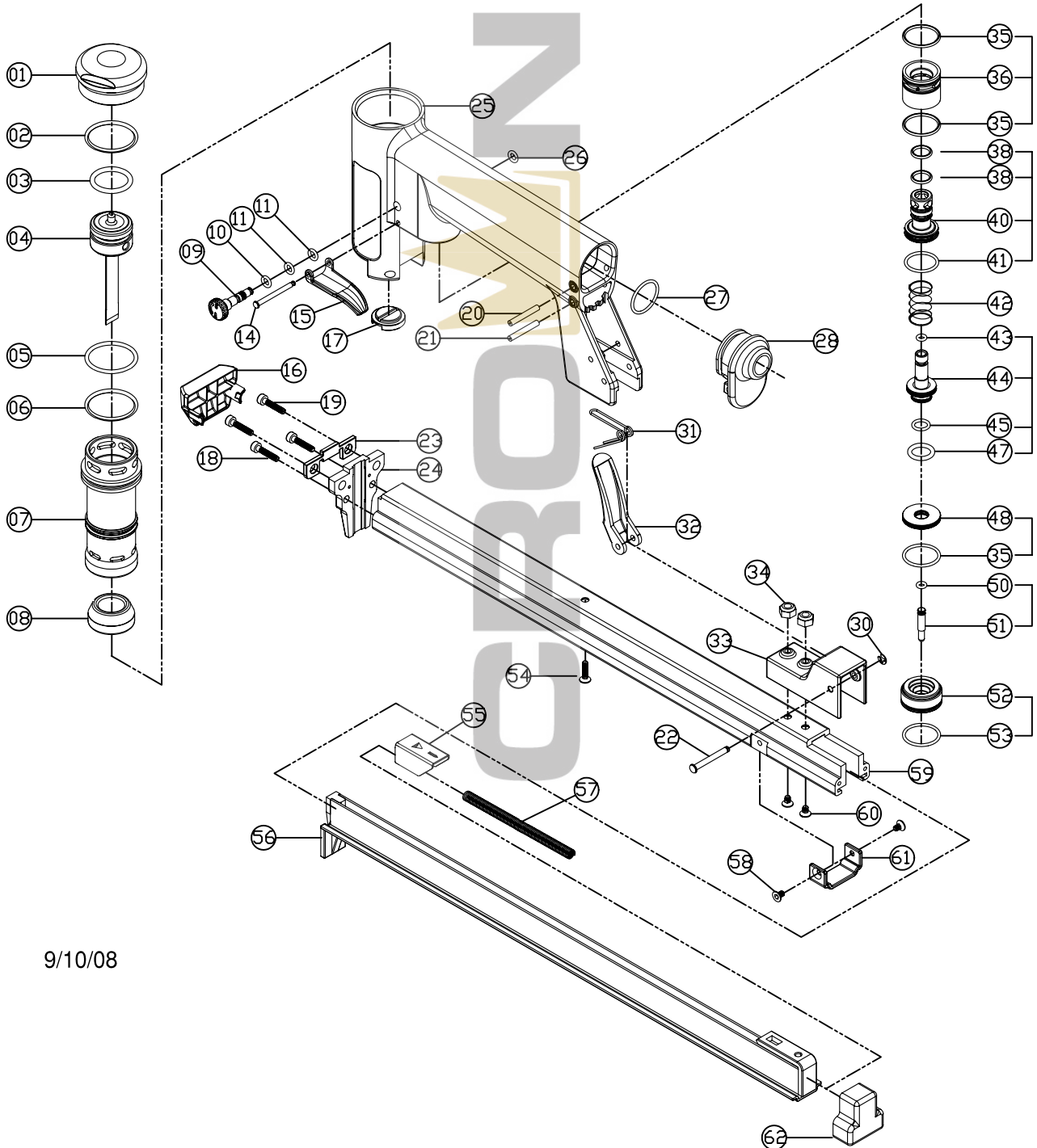


MODEL BS5016AF SPOTNAILS[®]

DIVISION OF PEACE INDUSTRIES, LTD.

1100 Hicks Rd
Rolling Meadows, IL 60008
Phone : 847-259-1620



9/10/08

SPOTNAILS MODEL BS5016AF

ITEM	PART NO.	DESCRIPTION
1	P-60193	Cap
2	P-64468	O-Ring
3	P-64469	O-Ring
4	AS-06083	Piston & Driver Assembly
5	P-64470	O-Ring
6	P-64471	O-Ring
7	P-05115	Cylinder
8	P-15236	Bumper
9	P-22198	Automatic Adjust Knob
10	P-64472	O-Ring
11	P-64473	O-Ring
14	P-07390	Step Pin
15	P-21089	Trigger
16	P-12504	Nose Cover
17	P-15237	Seal
18	P-24510	Screw
19	P-24512	Screw
20	P-07391	Split Pin
21	P-07392	Split Pin
22	P-07393	Step Pin
23	P-10316	Nose Plate
24	P-10320	Front Plate
25	P-01284	Body
26	P-64475	O-Ring
27	P-64476	O-Ring
28	P-60194	End Cap
30	P-32241	E-Ring
31	P-18490	Magazine Latch Spring

ITEM	PART NO.	DESCRIPTION
32	P-04083	Magazine Latch
33	P-04084	Latch Bracket
34	P-26175	Nut
35	P-64477	O-Ring
36	P-22192	Trigger Valve A
38	P-64478	O-Ring
40	P-22193	Trigger Valve B
41	P-64480	O-Ring
42	P-18491	Trigger Valve Spring
43	P-64481	O-Ring
44	P-22194	Trigger Valve C
45	P-64482	O-Ring
47	P-64483	O-Ring
48	P-22195	Trigger Valve Plate
50	P-64484	O-Ring
51	P-22196	Trigger Valve Plunger
52	P-22197	Trigger Valve Housing
53	P-64485	O-Ring
54	P-24513	Screw
55	P-09221	Pusher
56	P-12498	Magazine
57	P-18492	Pusher Spring
58	P-24514	Screw
59	P-12499	Magazine Cover
60	P-24515	Screw
61	P-12505	Magazine Retainer
62	P-15238	Rear Magazine Bumper

◆ Parts Included In AS-97322 O-Ring & Seal Kit