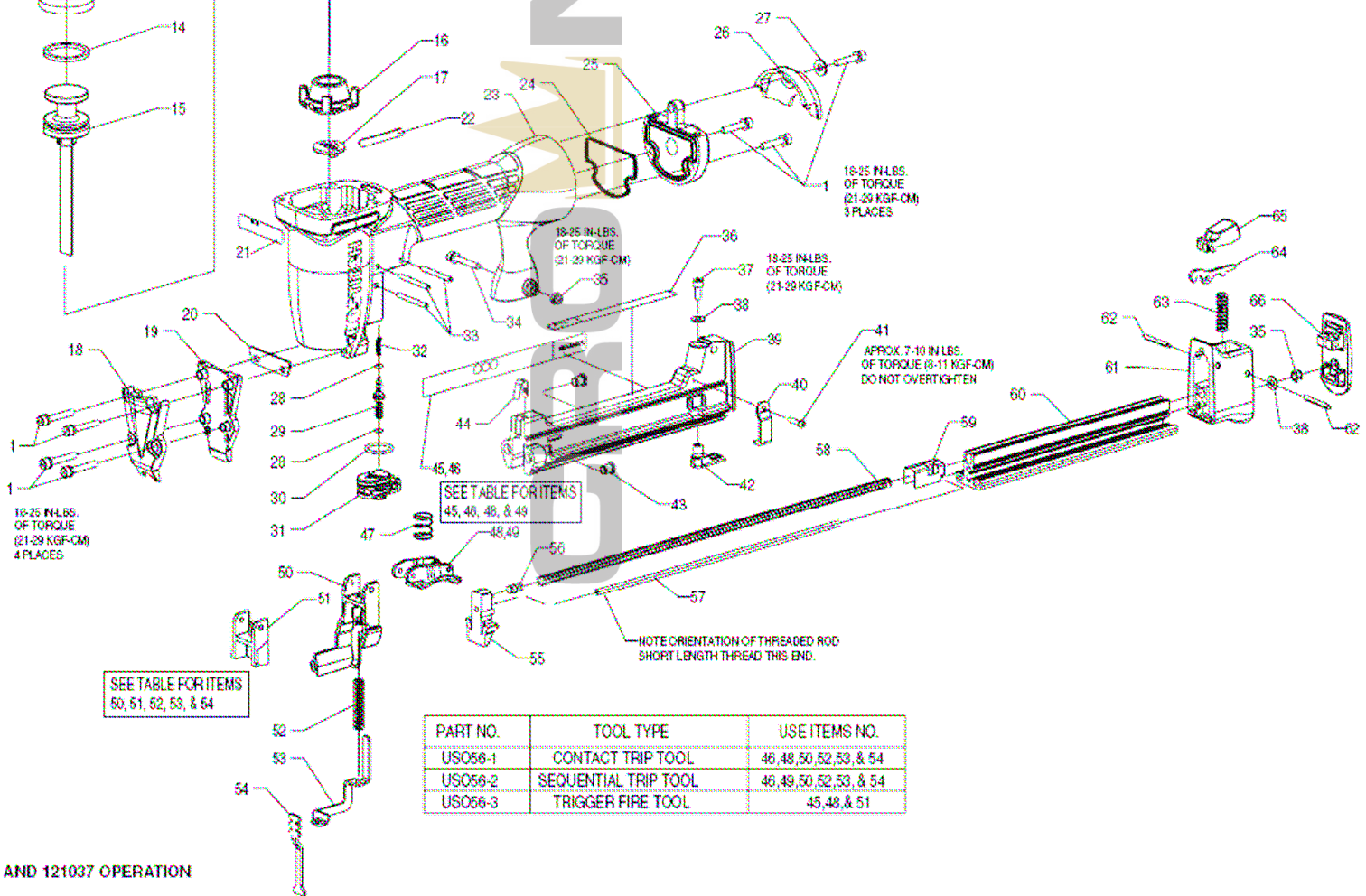
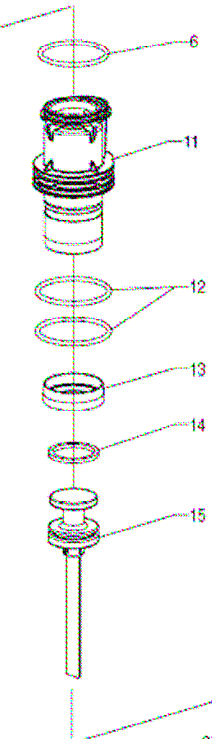
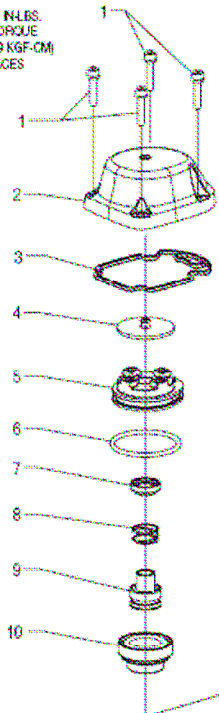


US056

PNEUMATIC STAPLER
ENGRAPADORA NEUMÁTICA
AGRAFEUSE PNEUMATIQUE

18-25 IN.LBS.
OF TORQUE
(21-29 KGF-CM)
4 PLACES



PART NO.	TOOL TYPE	USE ITEMS NO.
US056-1	CONTACT TRIP TOOL	46, 48, 50, 52, 53, & 54
US056-2	SEQUENTIAL TRIP TOOL	46, 49, 50, 52, 53, & 54
US056-3	TRIGGER FIRE TOOL	45, 48, & 51

Item#	Illus.#	Description
121051	0001	SCREW,SHCS,M4X0.70X20
120997	0002	CAP,FRAME
113337	0003	SEAL,FRAME/CAP
160186	0004	SEAL,TOP
160187	0005	HOLD DOWN,HEADVALVE
101058	0006	O-RING,1.487X.103
120989	0007	SEAL,INSERT
120991	0008	SPRING,HEADVALVE
120032	0009	INSERT,HEADVALVE
120027	0010	DIAPHRAM,HEAD VALVE
121007	0011	SLEEVE,CYLINDER
RG161210	0012	O-RING,1.612X.103 NBR
120061	0013	SEAL,CHECK
S32109	0014	RING,PISTON
125356	0015	ASSEMBLY,PISTON/DRIVER
120063	0016	BUMPER,DRIVE
158604	0017	GUIDE,DRIVER
158748	0018	COVER,TRIP
158611	0019	NOSE
121279	0020	PLATE,DRIVER
158610	0021	LABEL,USO56
142961	0022	LABEL,MAGNESIUM
121004	0023	FRAME,OVERMOLD
121035	0024	SEAL,FRAME END CAP
166057	0025	ASSEMBLY,END CAP
121032	0026	DEFLECTOR,CAP END
PW8	0027	WASHER,PWR, .188
MRG002514	0028	O-RING,.098X.055
121029	0029	STEM,VALVE
850144	0030	O-RING,.614X.070
121005	0031	HOUSING,VALVE
N86115	0032	COMPRESSION SPRING
100298	0033	PIN,SPIRAL M3X30
121052	0034	SCREW,SHCS,M4X0.70X25
MHE4070-100	0035	ELASTIC STOP NUT,M4
158609	0036	LABEL,FASTENER SPEC.'S US
MSC4070-10	0037	SCREW,SHCS,M4X0.70X10
MPW4	0038	WASHER,PWN,M4
158599	0039	MAGAZINE,FIXED
101068	0040	STOP CORE
100209	0041	SCREW,STRHS,M3X0.5X12
121284	0042	STOP,LATCH
S32011	0043	INSERT,M4
101060	0044	SPRING,DRIVER
158613	0045	LABEL,WARNING NO C.T.
158612	0046	LABEL,WARNING
100387	0047	SPRING,COMPRESSION
CNTK1	0048	KIT,CONTACT TRIP CONVERSION
SEQ4	0049	KIT,SEQUENTIAL TRIP CONVE
120020	0050	GUIDE,ARM
121008	0051	STOP,TRIGGER
121024	0052	SPRING,TRIP
120022	0053	TRIP,UPPER
158606	0054	ARM,LOWER CONTACT
101070	0055	TIP,CORE
101080	0056	GUIDE,SPRING

101081	0057	ROD,CORE THREADED
101069	0058	SPRING,PUSHER
101061	0059	PUSHER
158607	0060	CORE
158603	0061	CORE,END
159968	0062	PIN,COILED,HD,M3X25
113579	0063	SPRING,LATCH
116933	0064	LATCH
113568	0065	LATCH,COVER
125262	0066	BUMPER,REAR

