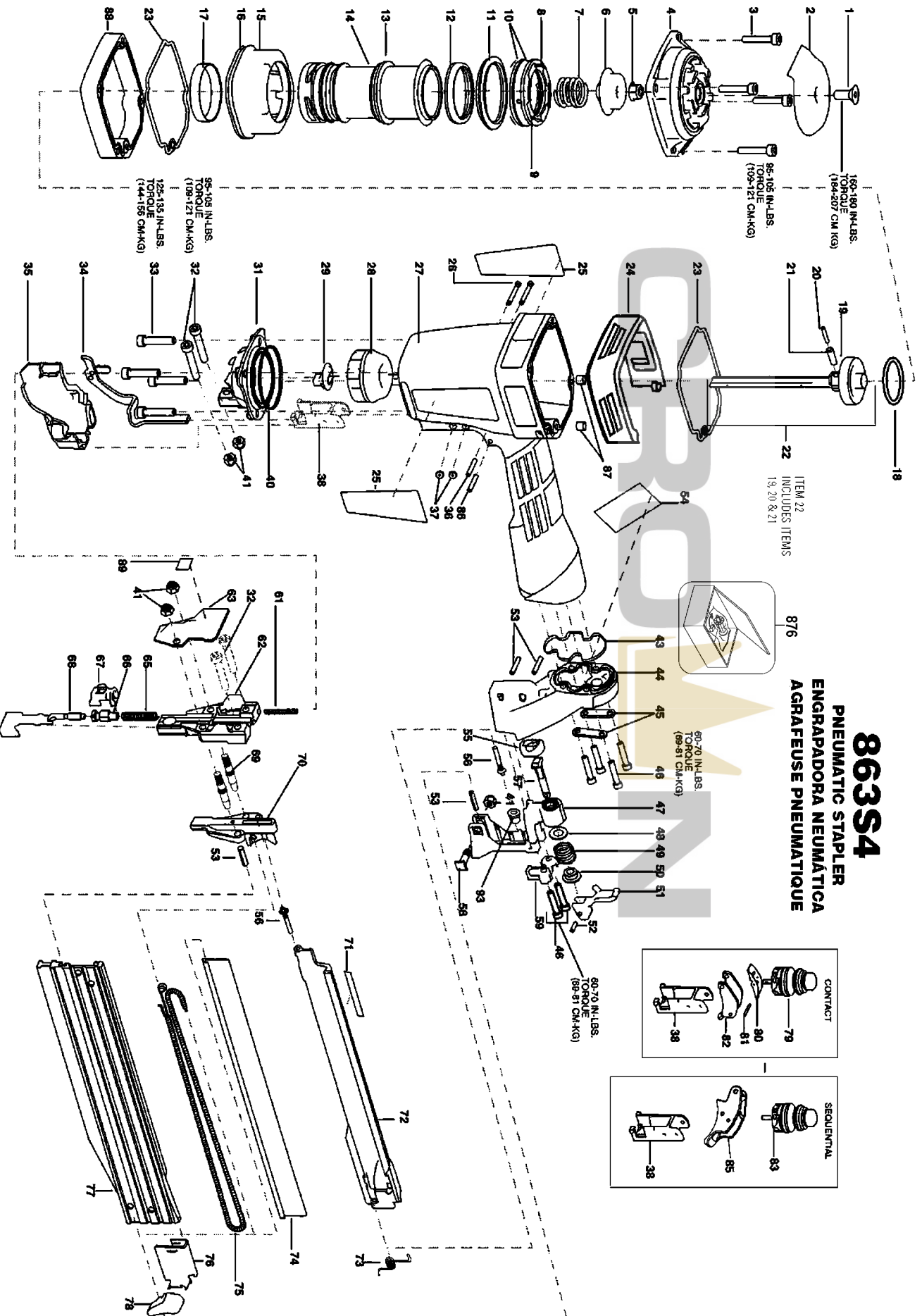


# 863S4

**PNEUMATIC STAPLER**  
**ENGRAPADORA NEUMÁTICA**  
**AGRAFEUSE PNEUMÁTICO**



ALSO SEE REVERSE FOR:

- 1) OPTIONAL WEIGHT ATTACHMENT KIT
- 2) OPTIONAL WRAP AROUND CONTACT ARM
- 3) OPTIONAL LONG MAGAZINE KIT

## Parts List for 863S4 Type 0

Item Number	Part Number	Description	Qty Required
1	105749	SCREW-SFHCS-M8x1.25x	1
2	103785	DEFLECTOR	1
3	102477	SCREW-SHCS-M6X1.00X4	4
4	103816	CAP-FRAME	1
5	103859	NUT-HFN-M8X1.25	1
6	103760	BUMPER-TOP	1
7	103767	SPRING-HEAD VALVE	1
8	103761	VALVE- HEAD	1
9	MRG041630	O-RING-1.638X.118	1
10	103813	O-RING-2.217X.103	2
11	103818	RETAINER-CYL.SLEEVE	1
12	103814	SEAL-CYLINDER	1
13	850006	O-RING-1.987X.103	1
14	104606	CYLINDER	1
15	851753	O-RING-2.734X.139	1
16	104607	BULKHEAD-800	1
17	103862	GARTER BAND	1
18	RG162514-1	O-RING-1.599X.138	1
19	103820	PISTON-800	1
20	UB2111.2	PIN-SPRING-.125X.69	1
21	UB4809.1	PIN-SPRING-.219X.69	1
22	106077	KIT-DRIVER REPLACEME	1
23	103802	SEAL-CAP	1
24	107149	PROTECTOR-FRAME	1
25	105797	LABEL	1
26	105811	SCREW-TRIGGER PIVOT	2
27	107180	FRAME OVERMOLD	1

COPYRIGHT© 2005. All Rights Reserved.

Parts list, pricing, and availability subject to change. Please visit [www.dewaltservicenet.com](http://www.dewaltservicenet.com) for current parts information.

## Parts List for 863S4 Type 0

Item Number	Part Number	Description	Qty Required
28	107000	BUMPER-BOTTOM	1
29	104584	GUIDE-DRIVER-63S4	1
31	103782	FRAME-BOTTOM	1
32	MSC6100-35	SCREW-SHCS-M6X1.00X3	4
33	MSC6100-30	SCREW-SHCS-M6X1.00X3	4
34	105773	ARM-UPPER CONTACT AS	1
35	105808	COVER-CONTACT ARM AS	1
36	100298	PIN-SPIRAL M3X30	1
37	MHE3050-100	NUT-NYLON M3X.50	2
38	106953	UPPER TRIP GUIDE ASS	1
40	RG198907-1	O-RING-1.989X0.070	1
41	MHE6100-100	NUT-ESN M6X1	4
42	105782	BRACE-LUG	1
43	103808	SEAL-END CAP	1
44	104602	CAP-FRAME END	1
45	103819	RETAINER-END CAP	2
46	MSC5080-25	SCREW-SHCS-M5X0.80X2	6
47	103786	CAP-MAGAZINE END	1
48	104612	WASHER	1
49	105786	SPRING-LATCH LEVER	1
50	103806	BUSHING-SPRING	1
51	103447	TOGGLE-MAGAZINE	1
52	MPG030012	PIN-SPRING-M3X12MM	1
53	103858	PIN-SPRING-4X20MM	2
54	159918	LABEL-WARNING-650/75	1
55	103795	DISC-LATCH STOP	1
56	103768	PIN-MAGAZINE COVER	1

COPYRIGHT© 2005. All Rights Reserved.

Parts list, pricing, and availability subject to change. Please visit [www.dewaltservicenet.com](http://www.dewaltservicenet.com) for current parts information.

## Parts List for 863S4 Type 0

Item Number	Part Number	Description	Qty Required
57	105780	PIN-LATCH	1
58	103851	BOLT-SQUARE(SPECIAL)	1
59	103776	MAGAZINE STOP	1
61	107310	SPRING-C.T.-INNER	1
62	107223	NOSE-863S4	1
63	104615	COVER-CONTACT ARM	1
65	105776	SPRING-C.T.-OUTER	1
66	103865	NUT-ADJUSTING	1
67	103864	ADAPTER	1
68	103794	ARM-LOWER CONTACT	1
69	103838	PIN-NOSE	2
70	103836	CORE TIP-863S4	1
71	105804	LABEL-MODEL 863S4	1
72	104600	COVER-MAGAZINE	1
73	103839	SPRING-TORSION	1
74	103797	COVER-CORE-S4	1
75	104613	SPRING-PUSHER ASSEMB	1
76	103845	PUSHER-S4	1
77	105792	CORE ASSEMBLY- 63S4	1
78	103791	HANDLE-PUSHER	1
79	STV2	KIT-TRIGGER	1
80	T55092	ROCKER-TRIGGER	1
81	MPD016012	PIN-DOWEL-.062X.459	1
82	100607	ASSEMBLY-TRIGGER	1
83	TVA6	KIT-TRIGGER VALVE	1
85	SEQ6	KIT-SEQUENTIAL	1
86	MPP030020	PIN-SPIRAL M3X20MM	1

COPYRIGHT© 2005. All Rights Reserved.

Parts list, pricing, and availability subject to change. Please visit [www.dewaltservicenet.com](http://www.dewaltservicenet.com) for current parts information.

## Parts List for 863S4 Type 0

Item Number	Part Number	Description	Qty Required
87	105821	SLEEVE-FRAME GUARD	2
88	106174	SPACER-800	1
89	851934	LABEL- TRIP ADJ.	1
93	106961	BEARING-COVER PIN	1
94	107205	KIT-WEIGHT ATTACHMEN	1
95	107290	ARM-WRAP AROUND CT-8	1
96	108077	KIT-LONG MAG 863S4	1
97	MSC5080-20	SCREW-SOC HD. CAP M5	1
876	RBK18	KIT-REBUILD 850/863	1



COPYRIGHT© 2005. All Rights Reserved.

Parts list, pricing, and availability subject to change. Please visit [www.dewaltservicenet.com](http://www.dewaltservicenet.com) for current parts information.