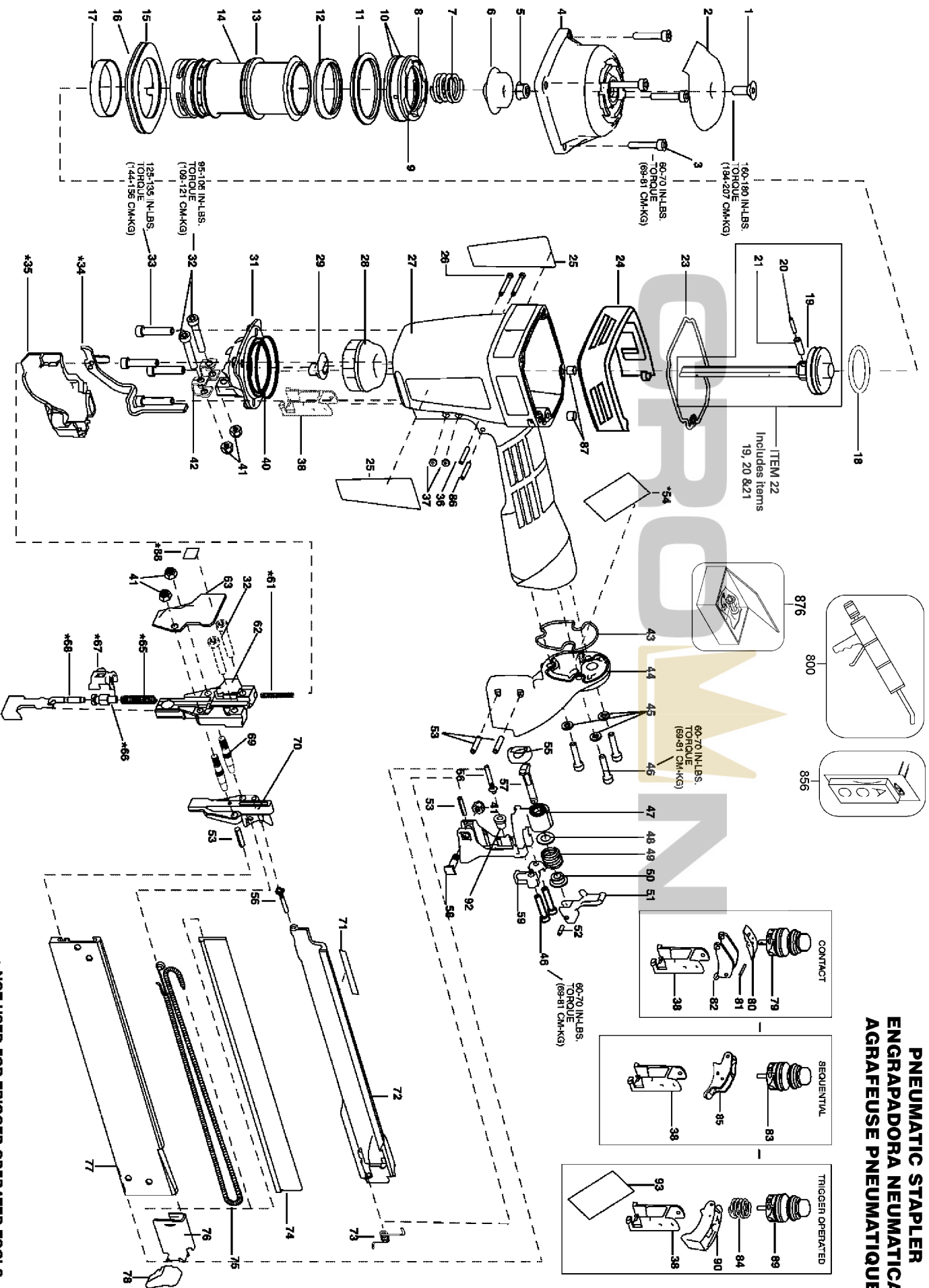


650S5

PNEUMATIC STAPLER
ENGRAPADORA NEUMÁTICA
AGRAFEUSE PNEUMÁTICA



* NOT USED FOR TRIGGER OPERATED TOOLS

Parts List for 650S5 Type 0

Item Number	Part Number	Description	Qty Required
1	105749	SCREW-SFHCS-M8x1.25x	1
2	104585	DEFLECTOR	1
3	102755	SCREW-SHCS-M5X0.80X3	4
4	105787	CAP-FRAME CYL.	1
5	103859	NUT-HFN-M8X1.25	1
6	105812	BUMPER-TOP-650	1
7	103767	SPRING-HEAD VALVE	1
8	104569	VALVE-HEAD	1
9	MRG039231	O-RING-1.543X.125	1
10	105814	O-RING-1.929X.098	2
11	112729	RETAINER-CYL.SLEEVE	1
12	104594	SEAL-CYLINDER	1
13	105816	O-RING-1.674X.103	1
14	105796	CYLINDER	1
15	105815	O-RING-2.359X.139	1
16	104580	RING-CYLINDER SLEEVE	1
17	104588	SEAL-CHECK	1
18	105817	O-RING-1.234x.139 UR	1
19	103881	PISTON-650	1
20	UB2111.2	PIN-SPRING-.125X.69	1
21	UB4809.1	PIN-SPRING-.219X.69	1
22	106079	KIT-DRIVER REPLACEME	1
23	104620	SEAL-CYLINDER CAP	1
24	107148	PROTECTOR-FRAME	1
26	105811	SCREW-TRIGGER PIVOT	2
27	107183	FRAME-OVERMOLD	1
28	104574	BUMPER-BOTTOM	1

COPYRIGHT© 2005. All Rights Reserved.

Parts list, pricing, and availability subject to change. Please visit www.dewaltservicenet.com for current parts information.

Parts List for 650S5 Type 0

Item Number	Part Number	Description	Qty Required
29	103803	GUIDE-DRIVER-50S5	1
31	104609	FRAME-BOTTOM	1
32	MSC6100-35	SCREW-SHCS-M6X1.00X3	2
33	MSC6100-30	SCREW-SHCS-M6X1.00X3	4
34	105775	ARM-UPPER CONTACT AS	1
35	105818	COVER-CONTACT ARM AS	1
36	100298	PIN-SPIRAL M3X30	1
37	MHE3050-100	NUT-NYLON M3X.50	2
38	106954	UPPER TRIP GUIDE ASS	1
40	851483-S	BOSTITCH O-RING	1
41	MHE6100-100	NUT-ESN M6X1	5
42	105782	BRACE-LUG	1
43	104619	SEAL-END CAP	1
44	105789	CAP-FRAME END	1
45	T50118	WASHER-PLAIN	3
46	MSC5080-25	SCREW-SHCS-M5X0.80X2	5
47	103786	CAP-MAGAZINE END	1
48	104612	WASHER	1
49	105786	SPRING-LATCH LEVER	1
50	103806	BUSHING-SPRING	1
51	103447	TOGGLE-MAGAZINE	1
52	MPG030012	PIN-SPRING-M3X12MM	1
53	103858	PIN-SPRING-4X20MM	4
54	159918	LABEL-WARNING-650/75	1
55	103795	DISC-LATCH STOP	1
56	103768	PIN-MAGAZINE COVER	2
57	105780	PIN-LATCH	1

COPYRIGHT© 2005. All Rights Reserved.

Parts list, pricing, and availability subject to change. Please visit www.dewaltservicenet.com for current parts information.

Parts List for 650S5 Type 0

Item Number	Part Number	Description	Qty Required
58	103851	BOLT-SQUARE(SPECIAL)	1
59	103776	MAGAZINE STOP	1
61	107310	SPRING-C.T.-INNER	1
62	107219	NOSE-650S5	1
63	103871	COVER-CONTACT ARM	1
65	105784	SPRING-C.T.-OUTER-65	1
66	103865	NUT-ADJUSTING	1
67	103864	ADAPTER	1
68	103793	ARM-LOWER CONTACT	1
69	103838	PIN-NOSE	2
70	103873	CORE TIP-650S5	1
71	105799	LABEL-MODEL-650S5	1
72	104600	COVER-MAGAZINE	1
73	103839	SPRING-TORSION	1
74	103812	COVER-CORE-S5	1
75	104613	SPRING-PUSHER ASSEMB	1
76	103846	PUSHER-S5	1
77	105793	CORE ASSEMBLY	1
78	103791	HANDLE-PUSHER	1
79	STV2	KIT-TRIGGER	1
80	T55092	ROCKER-TRIGGER	1
81	MPD016012	PIN-DOWEL-.062X.459	1
82	100607	ASSEMBLY-TRIGGER	1
83	TVA6	KIT-TRIGGER VALVE	1
85	SEQ6	KIT-SEQUENTIAL	1
86	MPP030020	PIN-SPIRAL M3X20MM	1
87	105778	SLEEVE-FRAME GUARD	1

COPYRIGHT© 2005. All Rights Reserved.

Parts list, pricing, and availability subject to change. Please visit www.dewaltservicenet.com for current parts information.

Parts List for 650S5 Type 0

Item Number	Part Number	Description	Qty Required
88	851934	LABEL- TRIP ADJ.	1
89	106869	KIT-TRIGGER VALVE	1
90	107191	TRIGGER OPER TRIGGER	1
92	106961	BEARING-COVER PIN	1
93	159927	LABEL-WARNING-T.O.	1
94	107306	KIT-WEIGHT ATTACHMEN	1
95	108073	KIT-LONG MAG 650S5	1
96	MSC5080-20	SCREW-SOC HD. CAP M5	1
800	100653	LUBE (2CC)	1
800	100679	LUBE (1LB.CAN)	1
876	RBK16	KIT-REBUILD 650	1



COPYRIGHT© 2005. All Rights Reserved.

Parts list, pricing, and availability subject to change. Please visit www.dewaltservicenet.com for current parts information.