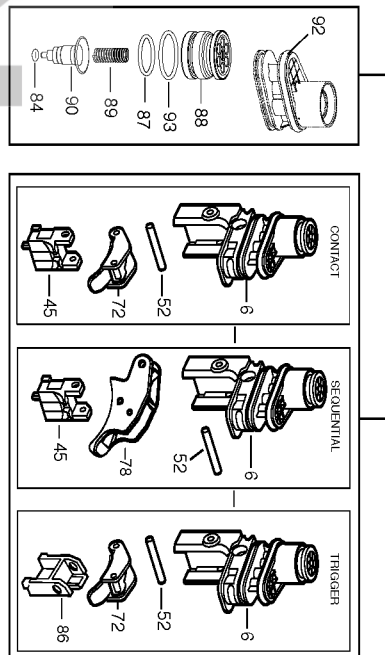
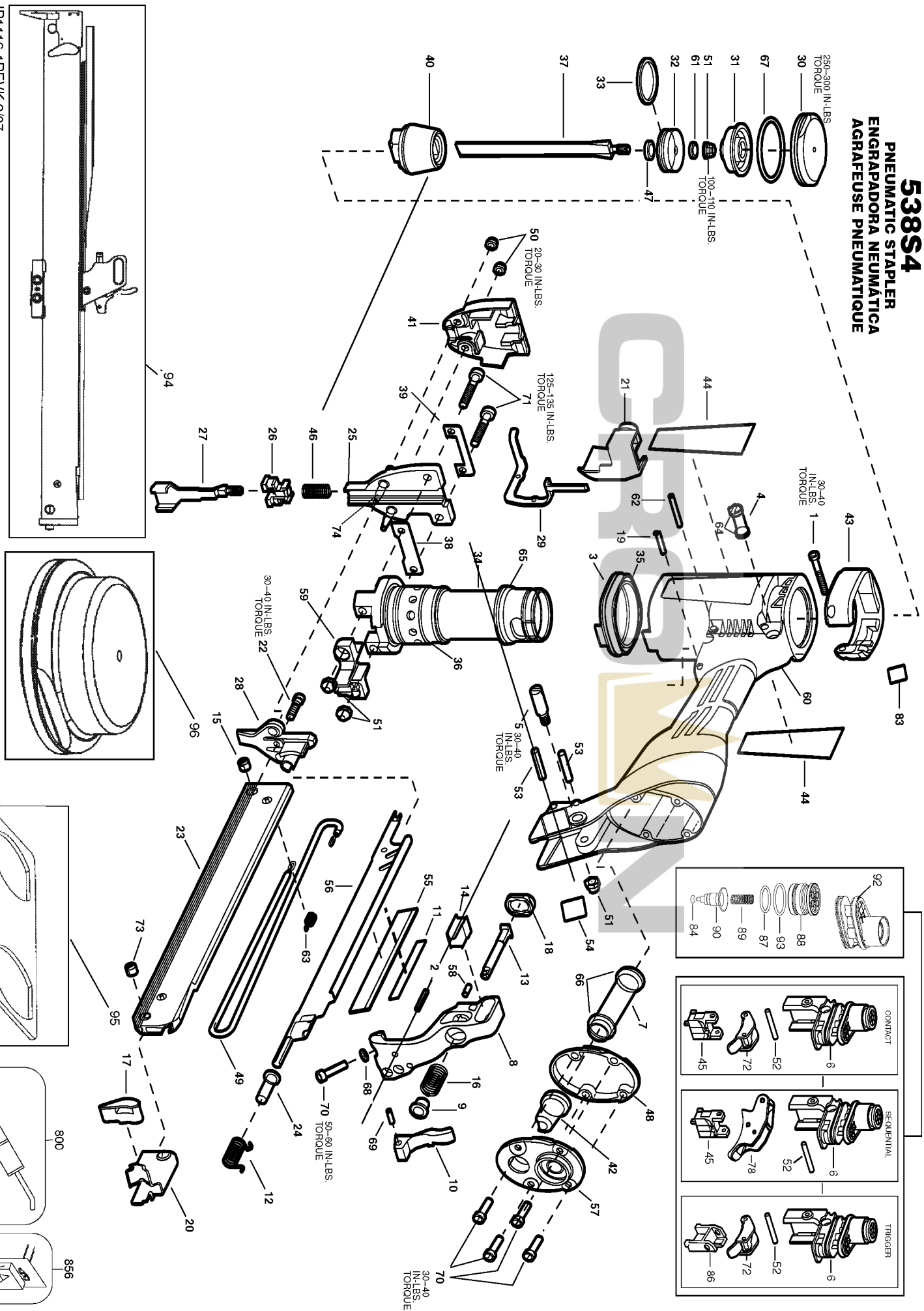
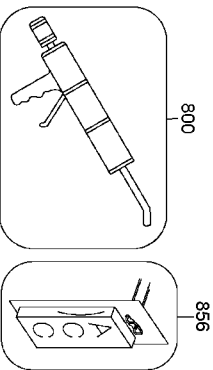


# 538S4

**PNEUMATIC STAPLER**  
**ENGRAPADORA NEUMÁTICA**  
**AGRAFEUSE PNEUMÁTICA**



IP1116-1REVK 2/07  
 TO BE USED WITH PARTS LIST IP1116-2 AND OPERATION AND MAINTENANCE MANUAL 104000.



## Parts List for 538S4 Type 0

Item Number	Part Number	Description	Qty Required
1	100258	SCREW	1
2	100263	PIN-SPIROL-M4X14MM	1
3	100273	O-RING-2.237X.103	1
4	101525	VALVE-ENERGY CONTROL	1
5	102168	SCREW-SPECIAL (MAGAZ	1
6	TVA12	KIT-STANDARD MODULE	1
7	103208	TUBE-EXHAUST	1
8	103217	BRACKET-MAGAZINE	1
9	103218	BUSHING-TOGGLE PIN	1
10	103447	TOGGLE-MAGAZINE	1
11	103548	LABEL-MAGAZINE CAPAC	1
12	103549	SPRING-COVER	1
13	103558	LATCH-MAGAZINE	1
14	103601	SLEEVE-BRACKET	1
15	103750	INSERT-THREADED M4X.	1
16	103770	SPRING-COMPRESSION	1
17	103791	HANDLE-PUSHER	1
18	103795	DISC-LATCH STOP	1
19	103858	PIN-SPRING-4X20MM	1
20	104023	PUSHER (1/2IN)	1
21	104029	COVER-TRIP H/P	1
22	104030	SCREW-SPECIAL M4X20	1
23	104049	ASSEMBLY-MAGAZINE-1/	1
24	104067	BUSHING-MAGAZINE COV	1
25	160200	NOSE-S4	1
26	104339	ADJUSTER-TRIP	1
27	104341	ARM-CONTACT	1

COPYRIGHT© 2005. All Rights Reserved.

Parts list, pricing, and availability subject to change. Please visit [www.dewaltservicenet.com](http://www.dewaltservicenet.com) for current parts information.

## Parts List for 538S4 Type 0

Item Number	Part Number	Description	Qty Required
28	107441	TIP-CORE 1/2	1
29	104623	ARM-UPPER CONTACT	1
30	104898	CAP-SLEEVE H/P	1
31	104899	BUMPER-TOP H/P	1
32	104901	PISTON	1
33	120972	RING-PISTON	1
34	104903	SLEEVE- CYLINDER - H	1
35	104904	BULKHEAD-SLEEVE H/P	1
36	104905	SEAL-CHECK	1
37	104929	DRIVER-(1/2IN)	1
38	104972	WEARPLATE (1/2IN)	1
39	104975	PLATE-NOSE	1
40	104976	BUMPER-LOWER H/P (1/	1
41	105013	CASTING-NOSE COVER	1
42	105070	EXHAUST DEFLECTOR	1
43	105083	PROTECTOR-FRONT FRAM	1
45	105932	ARM GUIDE ASSEMBLY	1
46	105934	SPRING-COMPRESSION	1
47	105959	WASHER-PISTON	1
48	106017	GASKET-END CAP H/P	1
49	106051	SPRING-EXTENSION	1
50	MHE5080-100	NUT-NYLON M5X.80	2
51	MHE6100-100	NUT-ESN M6X1	2
52	106058	PIN-SPRING-M3X32	1
53	106059	PIN-ROLL-M4X30MM	2
54	106097	LABEL-PATENT	1
55	158612	LABEL-WARNING	1

COPYRIGHT© 2005. All Rights Reserved.

Parts list, pricing, and availability subject to change. Please visit [www.dewaltservicenet.com](http://www.dewaltservicenet.com) for current parts information.

## Parts List for 538S4 Type 0

Item Number	Part Number	Description	Qty Required
56	106148	COVER-MAGAZINE	1
57	106291	CAP-END H/P	1
58	106334	PIN-SPIRAL 4X10MM	1
59	106474	TOP GUIDE	1
60	166983	FRAME	1
61	106691	WASHER-SPECIAL M6	1
62	106871	PIN-SPRING 4X32MM	1
63	106933	RETAINER-SPRING	1
64	107129	O-RING-.268X.075	2
65	850716	O-RING-1.609X.139	1
66	851554	O-RING-.703X.103	2
67	86460	O-RING	1
68	MLW5	WASHER-HSLW M5	1
69	MPG030012	PIN-SPRING-M3X12MM	1
70	MSC5080-20	SCREW-SOC HD. CAP M5	5
71	MSC6100-35	SCREW-SHCS-M6X1.00X3	2
72	CNTK2	KIT-CONTACT TRIP CON	1
73	T60024	PIN-SPECIAL(MAG NUT)	1
74	104069	PIN-NOSE	1
78	SEQ6	KIT-SEQUENTIAL	1
83	110009	LABEL-POWER VALVE	1
84	105996	O-RING-.087X.059	1
86	106173	STOP-TRIGGER	1
87	102163	O-RING-.591X.059	1
88	167205	ASSEMBLY-HEAD VALVE	1
89	101540	SPRING-COMPRESSION	1
90	101533	SEAL-EXHAUST	1

COPYRIGHT© 2005. All Rights Reserved.

Parts list, pricing, and availability subject to change. Please visit [www.dewaltservicenet.com](http://www.dewaltservicenet.com) for current parts information.

## Parts List for 538S4 Type 0

Item Number	Part Number	Description	Qty Required
91	101532-S	BOSTITCH SEAL	1
92	108467	O-RING-1.237X.103	1
93	102164	O-RING-.728X.059	1
94	108213	ASSY-400/500 SERIES	1
95	106427	WRENCH-SLEEVE CAP	1
96	112603	CAP-WEIGHT-H/P	1
800	100653	LUBE (2CC)	1
800	100679	LUBE (1LB.CAN)	1
856	108550	ASSY-VINYL SIDING TR	1



COPYRIGHT© 2005. All Rights Reserved.

Parts list, pricing, and availability subject to change. Please visit [www.dewaltservicenet.com](http://www.dewaltservicenet.com) for current parts information.