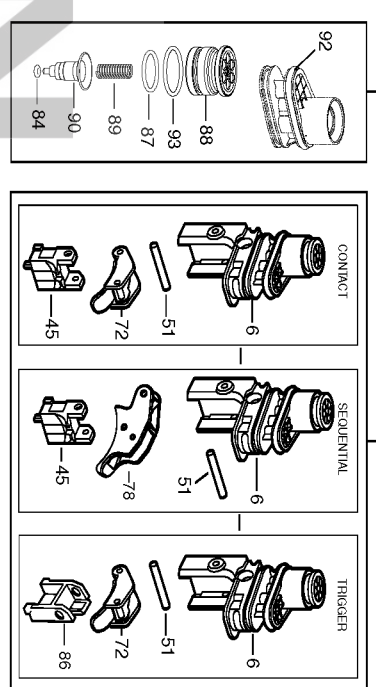
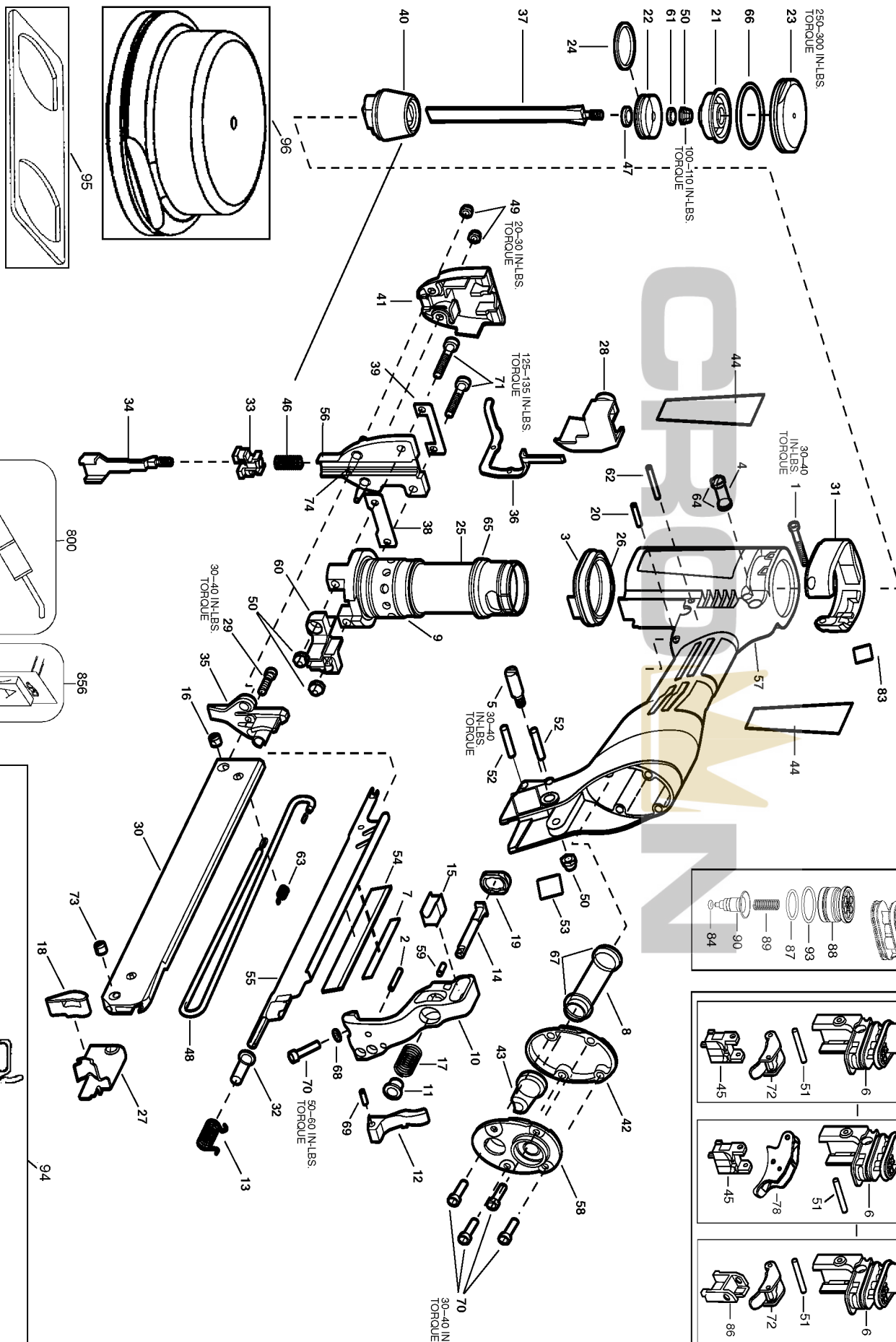


438S5

PNEUMATIC STAPLER
ENGRAPADORA NEUMÁTICA
AGRAFEUSE PNEUMATIQUE



IP1115-1REVK 2/07
 TO BE USED WITH PARTS LIST IP1115-2 AND OPERATION AND MAINTENANCE MANUAL 104000

Parts List for 438S5 Type 0

Item Number	Part Number	Description	Qty Required
1	100258	SCREW	1
2	100263	PIN-SPIROL-M4X14MM	1
3	100279	O-RING-1.612X.103	1
4	101525	VALVE-ENERGY CONTROL	1
5	102168	SCREW-SPECIAL (MAGAZ	1
6	TVA12	KIT-STANDARD MODULE	1
7	103202	LABEL-MAGAZINE CAPAC	1
8	103208	TUBE-EXHAUST	1
9	103211	SEAL-CHECK	1
10	103217	BRACKET-MAGAZINE	1
11	103218	BUSHING-TOGGLE PIN	1
12	103447	TOGGLE-MAGAZINE	1
13	103549	SPRING-COVER	1
14	103558	LATCH-MAGAZINE	1
15	103601	SLEEVE-BRACKET	1
16	103750	INSERT-THREADED M4X.	1
17	103770	SPRING-COMPRESSION	1
18	103791	HANDLE-PUSHER	1
19	103795	DISC-LATCH STOP	1
20	103858	PIN-SPRING-4X20MM	1
21	103993	BUMPER-TOP L/P	1
22	103994	PISTON	1
23	103995	CAP-SLEEVE L/P	1
24	166045	RING-PISTON	1
25	103997	SLEEVE-CYLINDER-L/P	1
26	103999	BULKHEAD-SLEEVE - L/	1
27	104024	PUSHER (7/16IN)	1

COPYRIGHT© 2005. All Rights Reserved.

Parts list, pricing, and availability subject to change. Please visit www.dewaltservicenet.com for current parts information.

Parts List for 438S5 Type 0

Item Number	Part Number	Description	Qty Required
28	104027	COVER-TRIP L/P	1
29	104030	SCREW-SPECIAL M4X20	1
30	104050	ASSEMBLY-MAGAZINE-7/	1
31	104064	PROTECTOR-FRONT FRAM	1
32	104067	BUSHING-MAGAZINE COV	1
33	104339	ADJUSTER-TRIP	1
34	104341	ARM-CONTACT	1
35	107440	TIP-CORE (7/16)	1
36	104623	ARM-UPPER CONTACT	1
37	104930	DRIVER-(7/16IN)	1
38	104973	WEARPLATE (7/16IN)	1
39	104975	PLATE-NOSE	1
40	105007	BUMPER-LOWER L/P (1/	1
41	105013	CASTING-NOSE COVER	1
42	105057	GASKET-END CAP L/P	1
43	105070	EXHAUST DEFLECTOR	1
45	105932	ARM GUIDE ASSEMBLY	1
46	105934	SPRING-COMPRESSION	1
47	105959	WASHER-PISTON	1
48	106051	SPRING-EXTENSION	1
49	MHE5080-100	NUT-NYLON M5X.80	2
50	MHE6100-100	NUT-ESN M6X1	4
51	106058	PIN-SPRING-M3X32	1
52	106059	PIN-ROLL-M4X30MM	2
53	106097	LABEL-PATENT	1
54	158612	LABEL-WARNING	1
55	106148	COVER-MAGAZINE	1

COPYRIGHT© 2005. All Rights Reserved.

Parts list, pricing, and availability subject to change. Please visit www.dewaltservicenet.com for current parts information.

Parts List for 438S5 Type 0

Item Number	Part Number	Description	Qty Required
56	160201	NOSE-S5	1
57	166984	FRAME	1
58	106292	CAP-END L/P	1
59	106334	PIN-SPIRAL 4X10MM	1
60	106474	TOP GUIDE	1
61	106691	WASHER-SPECIAL M6	1
62	106871	PIN-SPRING 4X32MM	1
63	106933	RETAINER-SPRING	1
64	107129	O-RING-.268X.075	2
65	850607	O-RING	1
66	850628	O-RING-1.734X.139	1
67	851554	O-RING-.703X.103	2
68	MLW5	WASHER-HSLW M5	1
69	MPG030012	PIN-SPRING-M3X12MM	1
70	MSC5080-20	SCREW-SOC HD. CAP M5	5
71	MSC6100-35	SCREW-SHCS-M6X1.00X3	2
72	CNTK2	KIT-CONTACT TRIP CON	1
73	T60024	PIN-SPECIAL(MAG NUT)	1
74	104069	PIN-NOSE	1
78	SEQ6	KIT-SEQUENTIAL	1
83	110009	LABEL-POWER VALVE	1
84	105996	O-RING-.087X.059	1
86	106173	STOP-TRIGGER	1
87	102163	O-RING-.591X.059	1
88	167205	ASSEMBLY-HEAD VALVE	1
89	101540	SPRING-COMPRESSION	1
90	101533	SEAL-EXHAUST	1

COPYRIGHT© 2005. All Rights Reserved.

Parts list, pricing, and availability subject to change. Please visit www.dewaltservicenet.com for current parts information.

Parts List for 438S5 Type 0

Item Number	Part Number	Description	Qty Required
91	101532-S	BOSTITCH SEAL	1
92	108467	O-RING-1.237X.103	1
93	102164	O-RING-.728X.059	1
94	000000-00	No Longer Available	1
95	106427	WRENCH-SLEEVE CAP	1
96	112604	CAP-WEIGHT-L/P	1
800	100653	LUBE (2CC)	1
800	100679	LUBE (1LB.CAN)	1



COPYRIGHT© 2005. All Rights Reserved.

Parts list, pricing, and availability subject to change. Please visit www.dewaltservicenew.com for current parts information.