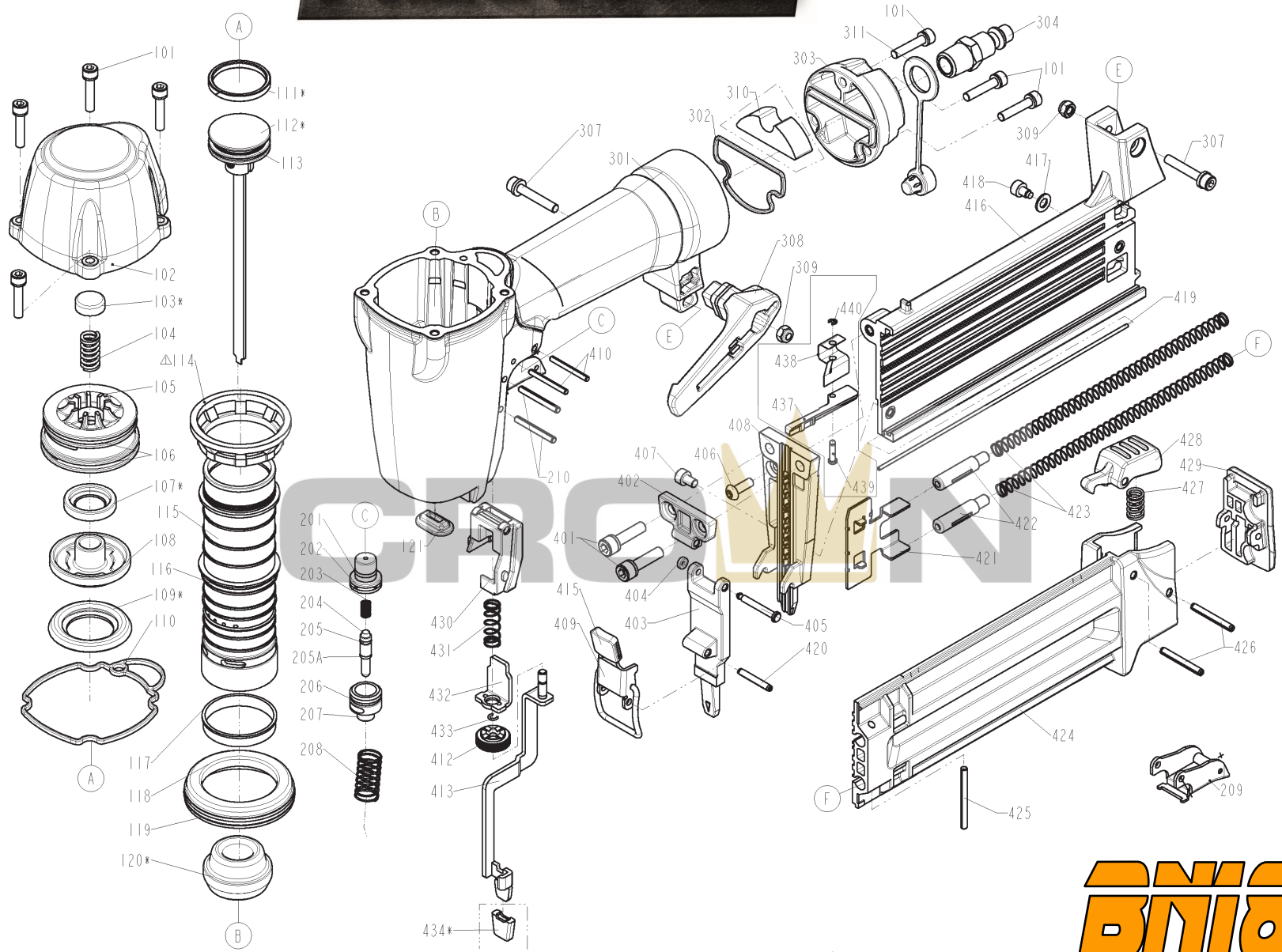


PNEU TOOLS



BRAD NAILER BN1855

2 1/8" BRAD NAILER

2 1/8" BRAD NAILER

Item	Part Number	Description	Item	Part Number	Description
101	920726	SHCS	308	810846	BELT HOOK
102	820169	CAP	309	830005	LOCK NUT
103	920104	SEAL	310	810647	MUFFLER
104	920105	COMPRESSION SPRING	311	940620	AIR PLUG CAP
105	820570	HEAD VALVE COLLAR	401	920589	SHCS
106	830276	O - RING (in O-ring Kit)	402	810981	UPPER DRIVER GUIDE
107	810500	OIL SEAL	403	810978	LOWER DRIVER GUIDE
108	820154	HEAD VALVE	404	920627	RETAINER
109	820301	SEAL	405	810542	FIXED PIN
110	810316	GASKET	406	920838	HALF ROUND HD.HEX.BOLT
111	810969	PISTON RING	407	920161	SHCS
112	830329	O - RING (in O-ring Kit)	408	810320	DRIVER GUIDE
113	810011	DRIVER UNIT	409	810300	QUICK CLEAR
114	820560	FLANGE	410	940617	ROLL PIN
115	810506	CYLINDER	412	820530	DEPTH ADJUSTMENT
116	830330	O - RING (in O-ring Kit)	413	810713	LOWER SAFETY
117	810534	CYLINDER RING	415	820039	RUBBER CAP
118	810518	CYLINDER SPACER	416	820508	MAGAZINE A
119	830277	O - RING (in O-ring Kit)	417	820800	FLAT WASHER
120	810602	BUMPER	418	820705	SHCS
121	810307	DRIVER GUIDE	419	820367	FLAT BAR
201	940610	O - RING (in O-ring Kit)	420	820877	ROLL PIN
202	820334	UPPER TRIGGER VALVE	421	820121	FOLLOWER
203	920619	SPRING	422	820370	SPRING SHAFT
204	940612	PLUNGER	423	810858	PUSHER SPRING
205	920526	O - RING (in O-ring Kit)	424	820514	MAGAZINE B
205A	940613	O - RING (in O-ring Kit)	425	820873	ROLL PIN
206	830369	O - RING (in O-ring Kit)	426	820884	ROLL PIN
207	940615	LOWER TRIGGER VALVE	427	810363	LOCK.SPRING
208	810881	SPRING	428	810916	LATCH
209	810106	TRIGGER	429	820521	PROTECTING COVER
210	920678	ROLL PIN	430	810831	SAFETY GUIDE
301	810212	GUN BODY UNIT	431	940618	SAFETY SPRING
302	810622	GASKET	432	810702	UPPER SAFETY
303	810933	END CAP	433	810418	C-CLIP
304	920320	AIR PLUG	434	810838	NO MAR TIP
307	820600	SHCS			

Kits and Assemblies

O-ring Kit

BN1855-ORINGKIT

*Individual O-rings are available in packs of 25