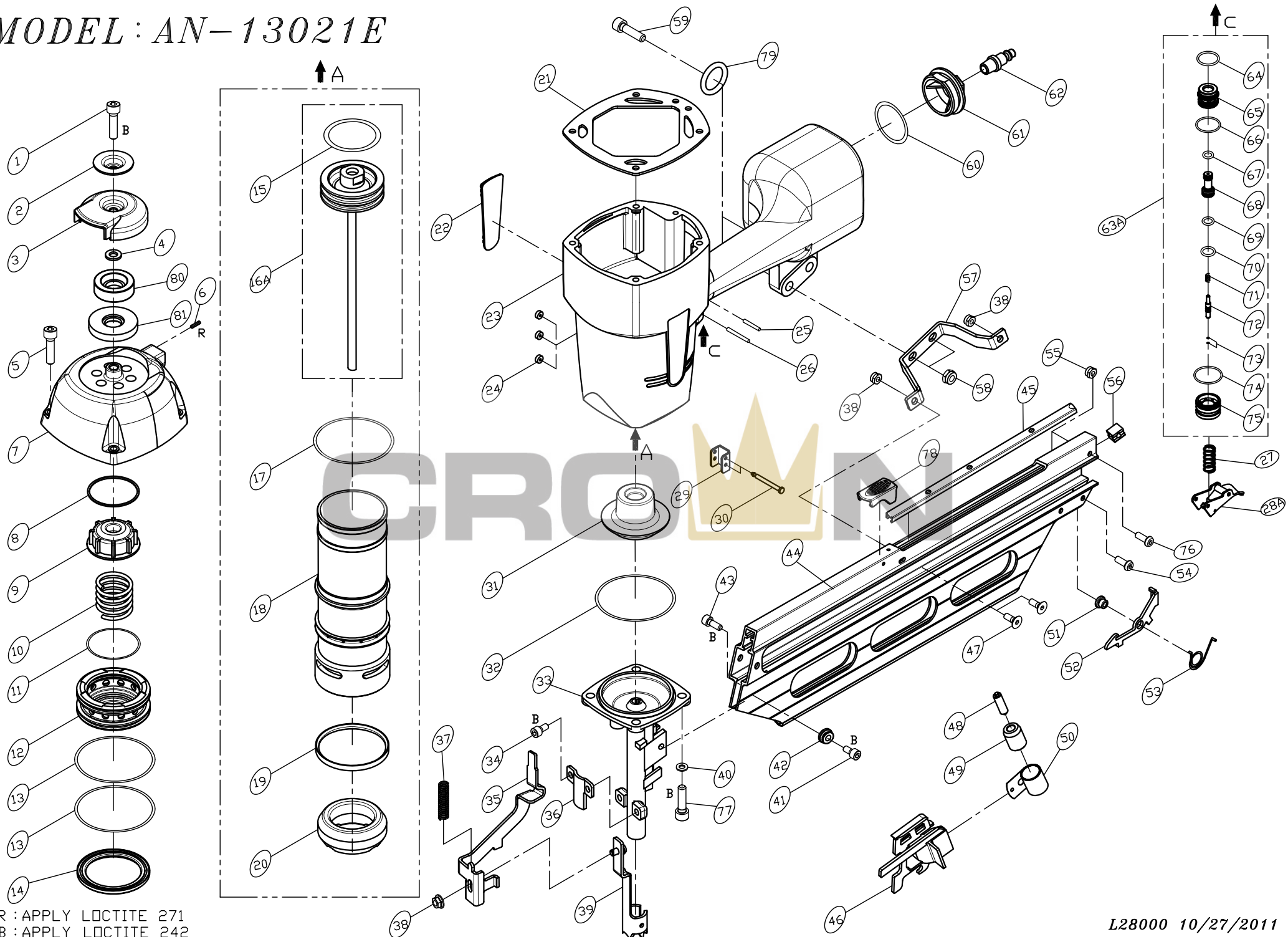


# MODEL : AN-13021E



\*R : APPLY LOCTITE 271  
 \*B : APPLY LOCTITE 242

## PARTS LIST (AN-13021E)

\*WHEN ORDERING SPARE PARTS, PLEASE STATE ITEM No, PART NO. AND DESCRIPTION.

ITEM	PART NO	DESCRIPTION	QTY	ITEM	PART NO	DESCRIPTION	QTY	ITEM	PART NO	DESCRIPTION	QTY
01	HS08125B-30	HEX. SOC. HD. BOLT	1	35	28006801	UPPER SAFETY LEVER	1	69	OR06819M	O RING**	1
02	28000201	WASHER	1	36	28003801	NOSE COVER	1	70	OR08819N	O RING**	1
03	28000301	EXHAUST COVER	1	37	23305501	COMPRESSION SPRING	1	71	15108301	SPRING	1
04	15108501	PU RING	1	38	LN0600NB	LOCK NUT	3	72	23304501	PLUNGER	1
05	HS06100LW-30	HEX. SOC. HD. BOLT+SW	4	39	28006701	SAFETY LEVER	1	73	OR02514M	O RING**	2
06	SS06100B-06	SET SCREW	1	40	SW1000W	SPRING WASHER	4	74	OR21015N	O RING**	1
07	28000501	CYLINDER CAP UNIT	1	41	HS06100B-12	HEX. SOC. HD. BOLT	1	75	23303801	TRIGGER VALVE CAP	1
08	28000901	COLLAR	1	42	16108501	SPACER	2	76	US05080B-20	UM. HD. BOLT	1
09	28000701	PISTON STOPPER**	1	43	HS06100B-16	HEX. SOC. HD. BOLT	1	77	HS10150B-30	HEX. SOC. HD. BOLT	4
10	28000801	COMPRESSION SPRING	1	44	28004401	MAGAZINE	1	78	28010001	NAIL GUIDE LINER PAD	1
11	OR52030N	O RING**	1	45	28004501	NAIL GUIDE LINER	1	79	FW080160B-15	FLAT WASHER	2
12	28001101	PISTON HEAD VALVE	1	46	28004001	PUSHER	1	80	28010201	SEAL	1
13	OR68030N	O RING**	2	47	FH06100B-16	FLAT. HD. BOLT	2	81	28010101	MUFFLER	1
14	28001201	SEAL	1	48	28004301	SPINDLE	1				
15	OR55657N	O RING**	1	49	28004201	ROLLER	1				
16A	28001601A	DRIVER ASSEMBLY**	1	50	28004101	SPRING**	1				
17	OR70020N	O RING**	1	51	28009301	ROLLER	1				
18	28001701	CYLINDER	1	52	30809701	RELEASER	1				
19	28001801	CYLINDER SEAL	1	53	16109901	SPRING	1				
20	28009801	BUMPER UPPER**	1	54	US05080B-18	UM. HD. BOLT	1				
21	28001301	CYLINDER CAP SEAL	1	55	LN0500N	LOCK NUT	2				
22	23302101	PLASTIC LABEL	2	56	28009201	MAGAZINE BLOCK	1				
23	28002401	BODY	1	57	28006901	BRACKET	1				
24	16103001	PU RING**	3	58	LN0800NB	LOCK NUT	2				
25	RP3022S	ROLLED PIN	1	59	HS08125B-35	HEX. SOC. HD. BOLT	2				
26	RP3030S	ROLLED PIN	1	60	OR54431N	O RING**	1				
27	16305401	SPRING	1	61	23302503	END CAP	1				
28A	25205301A	SEQUENTIAL FIRE TRIGGER	1	62	12106401	AIR PLUG	1				
29	28006601	SAFETY GUIDE	1	63A	23303804A	TRIGGER VALVE ASSEMBLY^	1				
30	16102902	STEPPED PIN	3	64	OR15618N	O RING**	1				
31	28009901	BUMPER BOTTOM**	1	65	23303501	TRIGGER VALVE	1				
32	OR72718N	O RING**	1	66	OR17515N	O RING**	1				
33	28003901	NOSE	1	67	OR05819N	O RING**	1				
34	HS06100BW-14	HEX. SOC. HD. BOLT+SW	2	68	23304103	VALVE PLUNGER	1				