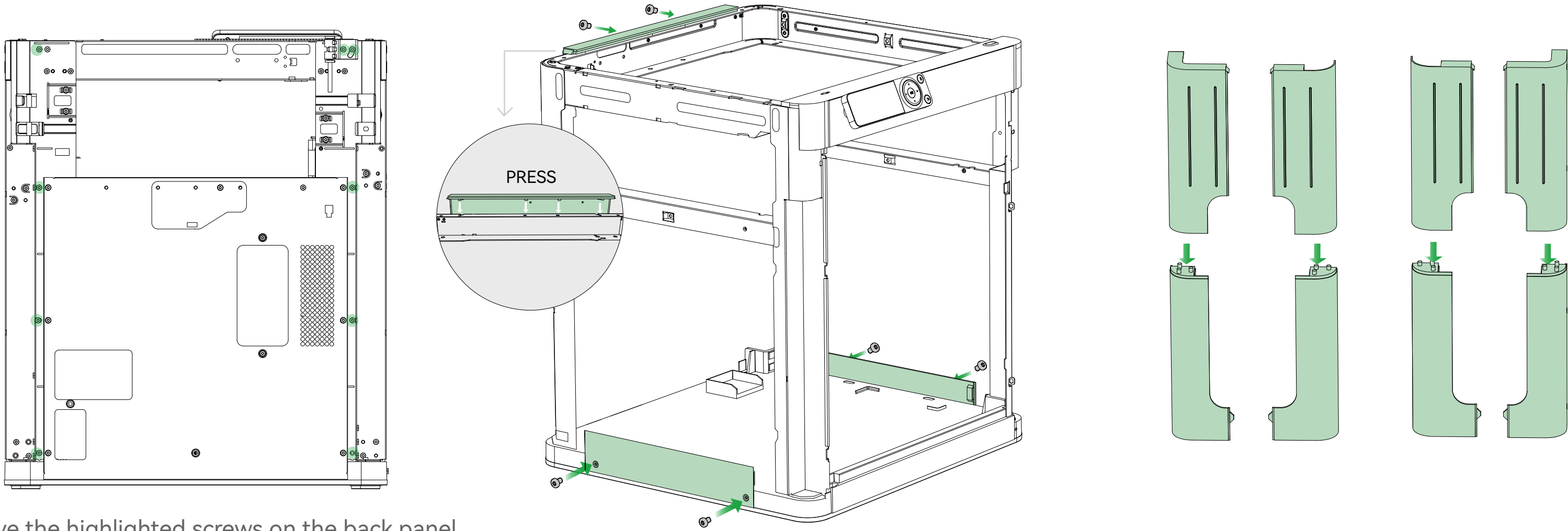


This assembly guide is compatible with Armor Modplate and Lily Modplate.



Remove the highlighted screws on the back panel

