



## CABINET Fume Extraction Solutions

# FC 1000 iQ

FumeCAB

The complete **cabinet fume extraction solution** for a broad range of applications.

Partial enclosures are becoming the recommended extraction option for a variety of applications. Government bodies, including the HSE in the UK are now making direct reference through guidance documentation such as the new HSG258 to their use.

The FumeCAB 1000 iQ integrated filtration system has been designed to ensure compliance with the latest regulations. It provides users with an extra depth of working space for taller applications.

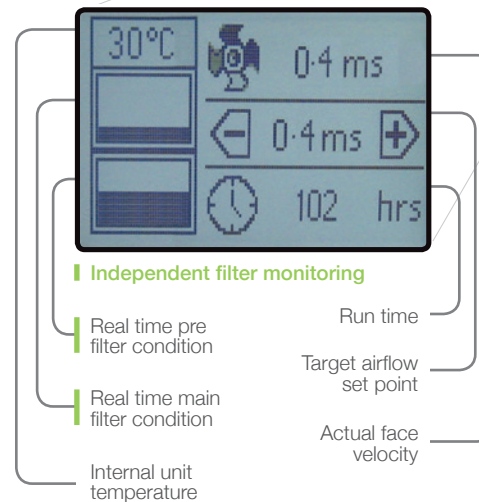
BOFA's iQ Operating System and ultra-bright slimline energy saving LED lights come as standard, making this system an ideal choice of fume extraction for a wide variety of applications.

### STANDARD FEATURES:

- Certified to BS 7989:2001 - Recirculatory filtration fume cabinet specification
- Ensures operational compliance with HSG258 guidelines
- Reverse flow filter technology
- Automatic flow control system
- Energy saving ultra-bright slim line LED lighting
- Twin coated anti UV / anti splash protective Polycarbonate visor
- Combined HEPA/Gas filter incorporating ACF technology
- Filters with long life and low replacement cost
- Real time airflow reading
- Independent filter condition monitoring, display and warnings
- High contrast display
- 'Run safe' operation
- Remote diagnostics via USB
- Large working area
- Side entry blind grommets for equipment access

### OPTIONAL FEATURES:

- VOC gas sensor (Volatile Organic Compound)
- Interfacing
- UV lighting
- Stand
- Optional filter medias



BOFA's safe and easy innovative front loading Cam filter replacement system.



Take a look at the iQ animation, which explains exactly why the patented BOFA iQ Operating System provides unrivalled control and data management for your fume extraction unit.



Patented Technology - Patent No: GB2 499 812



[bofa.co.uk/iQOperationSystem.asp](http://bofa.co.uk/iQOperationSystem.asp)

| UNIT PART NUMBERS                |         |          | OPTIONS     |           |          |
|----------------------------------|---------|----------|-------------|-----------|----------|
| Model                            | Voltage | Part No. | VOC Monitor | UV Lights | Stand    |
| FumeCAB 1000 iQ<br>Powder Coated | 230V    | E2242A   | A2003       | A2010     | A1060054 |
|                                  | 115V    | E2241A   |             |           |          |

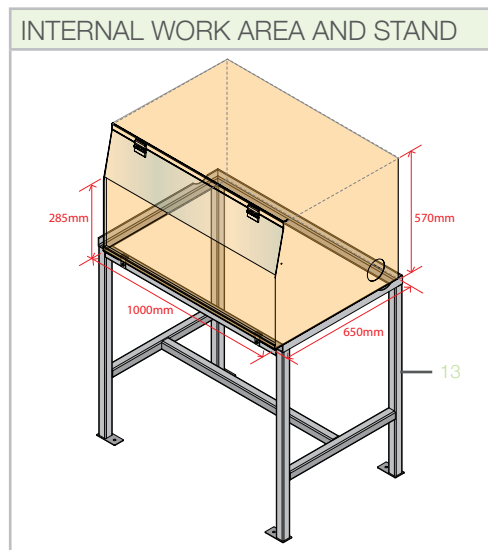
| REPLACEMENT FILTERS |                 |
|---------------------|-----------------|
| Pre Filter          | Combined filter |
| A1030249            | A1030250        |

| TECHNICAL DATA             |   |  |
|----------------------------|---|--|
|                            | EU  | US   |
| Dimensions (HxWxD)         | 1026 x 1000 x 660mm                       | 40.3 x 39.4 x 26"                          |
| Opening Dimensions (HxWxD) | 285 x 1000 x 650mm                        | 11.2 x 39.4 x 25.6"                        |
| Cabinet Construction       | Powder coated mild steel                  |  |
| Face Velocity              | 0.4m/s                                    | 78.7ft/min                                 |
| Max Face Velocity          | 0.6m/s                                    | 118ft/min                                  |
| Electrical Data            | 230v 50/60Hz<br>Full load current: 6 amps | 115v 50/60Hz<br>Full load current: 10 amps |
| Noise Level                | < 60dBA (At typical operating speed)      |  |
| Weight                     | 120kg                                     | 264lbs                                     |
| Exhaust Outlet (Optional)  | 125mm                                     |  |
| Approvals                  | CE  |  |

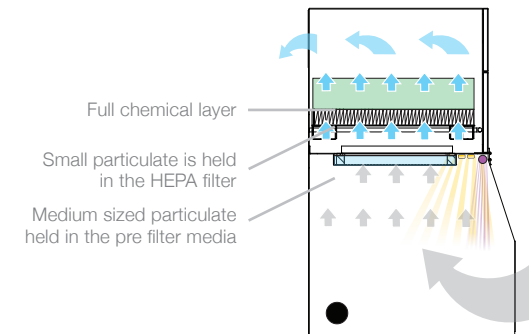
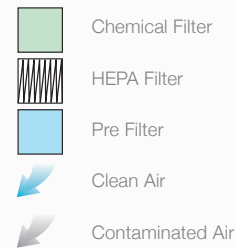
| PRE FILTER SPECIFICATIONS |                         |
|---------------------------|-------------------------|
| Filter Media Construction | Filter Pad              |
| Filter Housing            | Cardboard               |
| Filter Efficiency         | H11 (99% @ 0.3 microns) |

| COMBINED HEPA/GAS FILTER SPECIFICATIONS |  |
|---|--|
| HEPA Filter Media                       | Glass Fibre                                  |
| HEPA Media Construction                 | Maxi Pleat Construction with Webbing Spacers |
| Filter Housing                          | Zintec Mild Steel                            |
| Treated Activated Carbon                | 17kgs  |
| Filter Efficiency                       | 99.997% @ 0.3 microns                        |

| OPTIONAL STAND SPECIFICATIONS |   |
|-------------------------------|---|
| Dimensions (HxWxD)            | 943 x 1029 x 669mm /<br>37.1 x 40.5 x 26.3" |
| Stand Construction            | Powder coated mild steel                    |

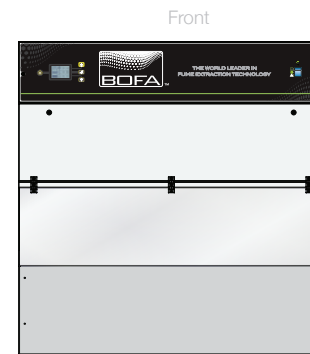


## AIRFLOW THROUGH FILTERS

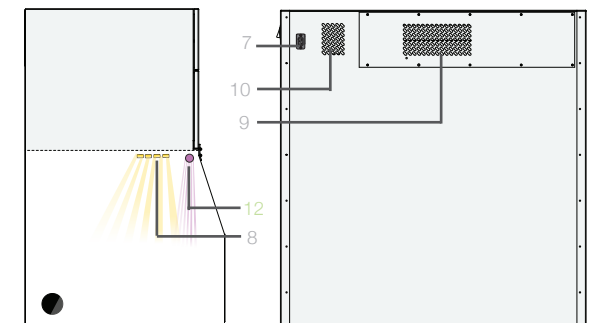


## TECHNICAL SPECIFICATION

- iQ Display
- On / Off Switch
- Filter Compartment Hinges
- Cable Entry Grommet
- Transparent Visor
- Transparent Visor Hinges
- Power cable Inlet
- Internal LED Lighting
- Exhaust Outlet
- Cooling Air Inlet
- Standby Button
- Optional Internal UV Lighting
- Optional Stand



Left Side / Internal work area



Back

Other hose kits and filters are available. All of the above units are fitted with our standard filter combinations. For specific applications please call us for details. Replacement filters should always be ordered using the part number on the filters inside your extractor to ensure the correct filter is ordered. Datasheet correct at time of print. FumeCAB1000iQ:16/11/16V:2.5



**BOFA INTERNATIONAL LTD**

Tel: +44 (0) 1202 699 444 Fax: +44 (0) 1202 699 446 Email: sales@bofa.co.uk Web: www.bofa.co.uk

**BOFA AMERICAS, INC**

Tel: (618) 205 5007 Fax: (866) 707 2632 Email: sales@bofaamericas.com Web: www.bofaamericas.com

