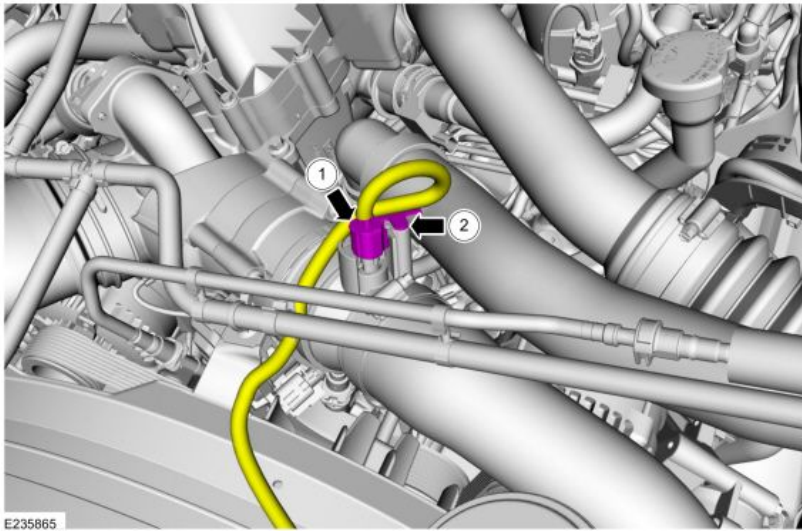


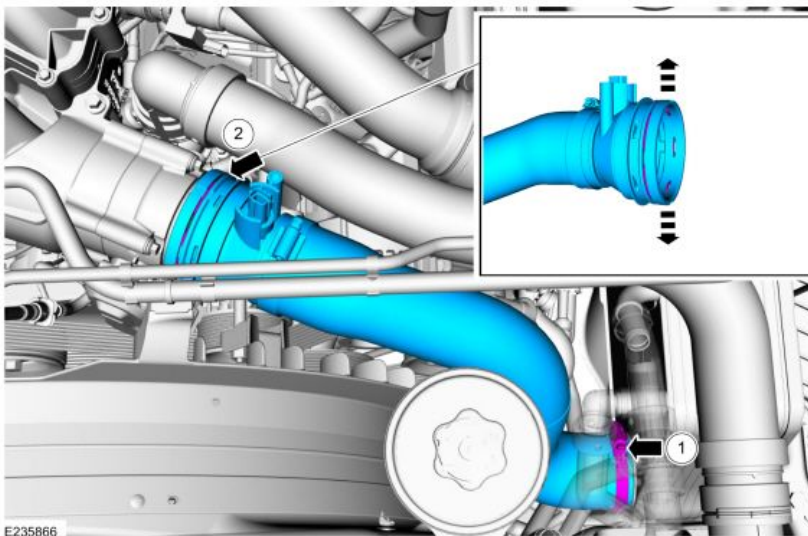


(94181) 17-19 6.7 Powerstroke Cold Side Intercooler Pipe

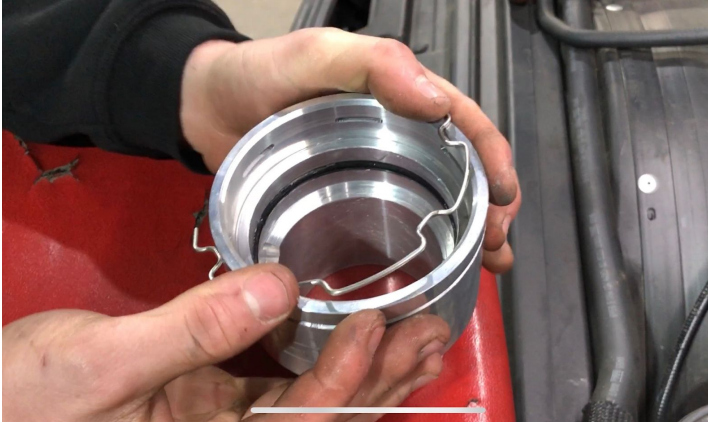
1. Disconnect the CAC temperature sensor electrical connector. Detach the retainer and position the wiring harness aside



2. Loosen the T-bolt clamp at the outlet of the intercooler. Release the clip and remove the CAC outlet pipe assembly.



3. Install the supplied o-ring into the new throttle body adapter. You will also be installing/reusing the spring clip out of the old adapter.



4. Install the supplied plug fittings into the adapter. At this point if you are planning to use an injectable or a port for reference (boost gauge/sensor, temp etc) this would be the time to install



it.

5. After assembling the adapter lube the o-ring with a dielectric grease or equivalent. Install the adapter onto the throttle body make sure the o-ring starts on even, push until you hear a click.



6. Rotate the adapter so the CAC sensor hole is accessible. Install the sensor as factory, twisting clockwise. Re-route the electrical connector and wiring making sure it clears and doesn't snag.

