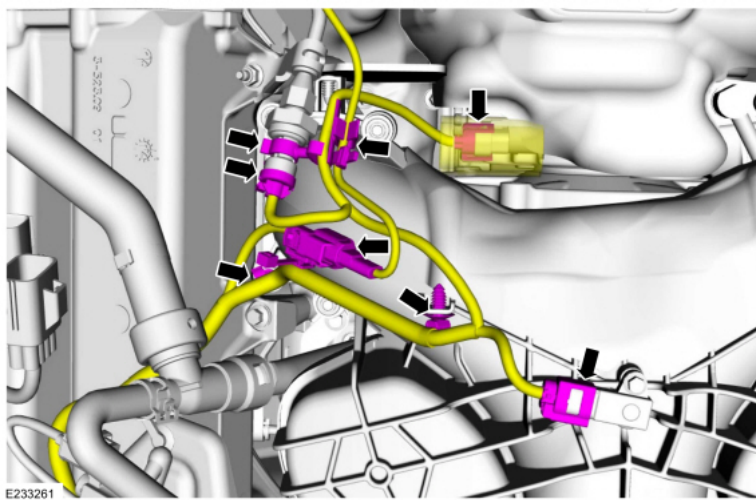
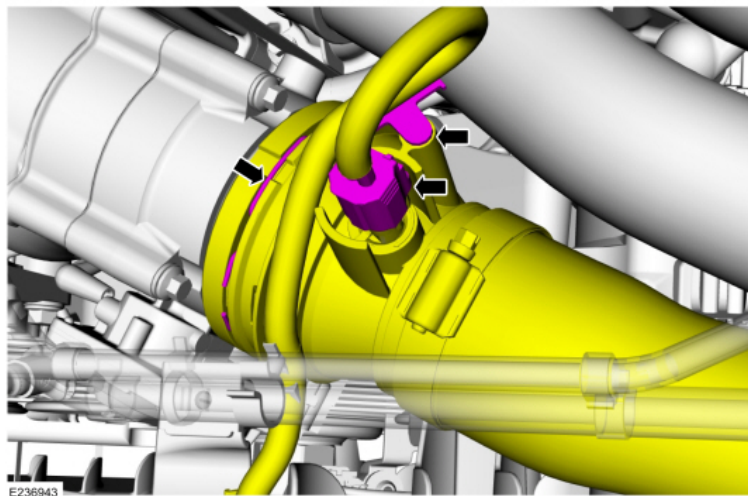


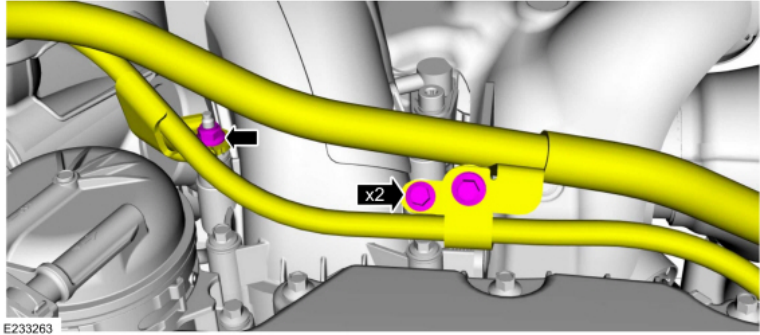


## 2011-2019 6.7 Powerstroke Intake Manifold Kit

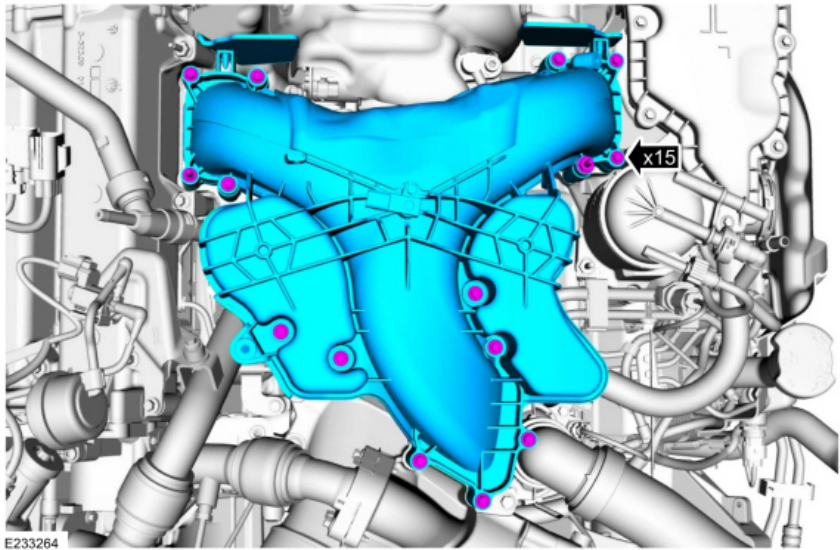
1. Remove the upper and lower intake manifold. Disconnect/remove the Purple connections and bolts.

\*NOTE- factory coldside will differ depending on the year of the truck.

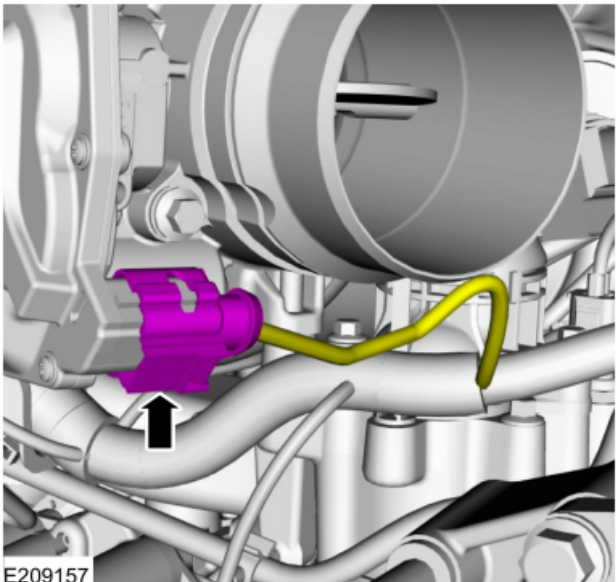




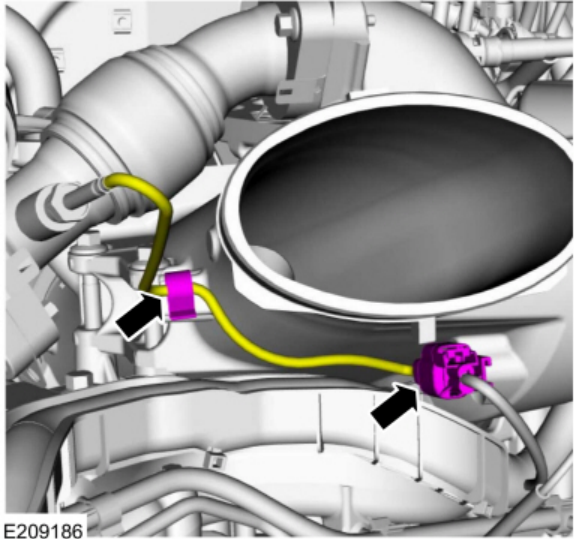
E233263



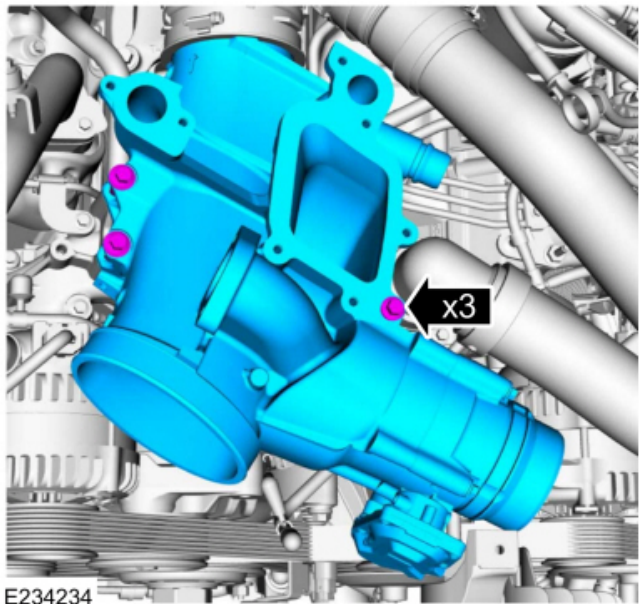
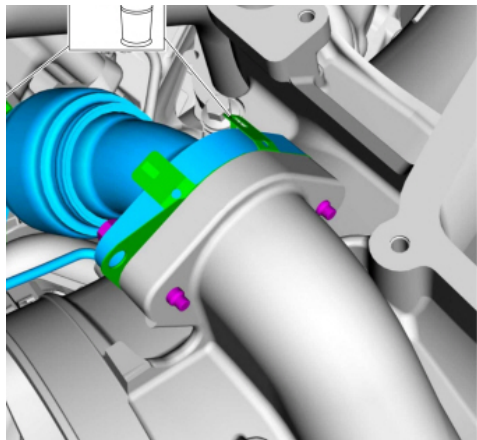
E233264



E209157

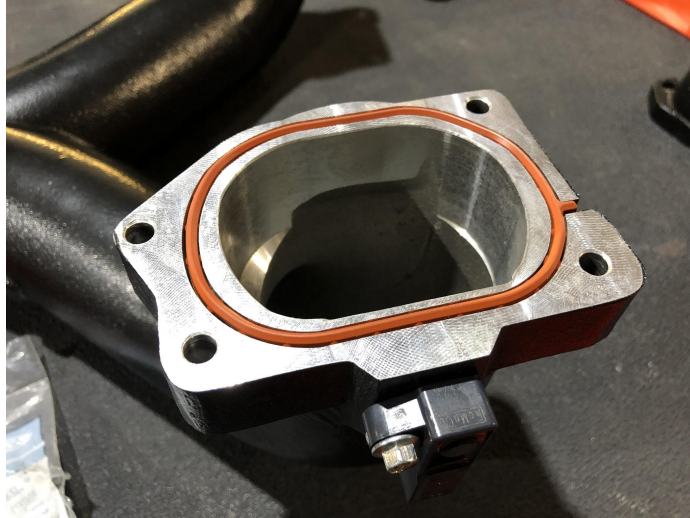


E209186



E234234

2. Install the factory gaskets into the intake manifold as shown. Replace if damaged. Install the factory map sensor and bolt.



3. Install the intake manifold Y with the included allen bolts and washers (5mm hex drive). Install them finger tight. Install the dipstick tube bracket. It uses the rear driver side bolt closest to the outside of the vehicle. Use the factory bolt that attaches the trans and oil tubes together. Once everything is attached, tighten all the bolts.  
\*NOTE- You can cut off the original front mounting bracket or leave it attached.

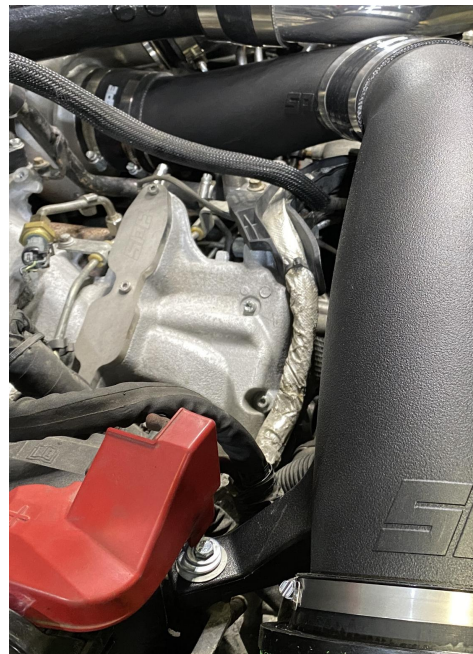


4. Remove the power steering reservoir bolt and pull up on the reservoir. Turn it counter clockwise and reinstall without sliding it back into the guides in the fan shroud. This allows extra clearance for the cold side pipe.

\*NOTE- It may be necessary to trim off the guide rail on the shroud closest to the passenger side of the truck.



5. Install the lower intake manifold adapter tube with the provided scroll clamps and coupler. Reinstall your air intake.



6. Prepare the coldside intercooler pipe for installation slide on the included straight and 90 degree coupler. Install the charge temp sensor into the billet bung.



7. Install the cold side intercooler pipe as shown. Make sure all clamps are tight and nothing is rubbing. After driving, check the T bolt clamps again.

