



USER MANUAL

#evolvcity

EVOLV Rides
www.evolvrides.com

Key Features	1
Dashboard Instructions	2
How to Unfold	3
How to Fold	4
Safe Driving Tips	5
How to Charge	6
Battery Safety	7
Care & Maintenance	9
Product Specification	12
Limited Warranty	13

How to request service under this Limited Warranty:

To request EVOLV Rides to repair and/or replace the Product or its Components under this Limited Warranty, the customer must, during the Warranty Period:

1. Bring this Limited Warranty, proof of purchase and the product to your authorized dealer.
2. Provide your authorized dealer with a written description of the problem.

This warranty does not cover the shipping costs associated with the transportation of the scooter to and from our service center, and a fee will be charged for return shipping or pick up and delivery service.

The consumer and EVOLV Rides agree that in the event of a dispute arising from the material and workmanship of the Product; or this Limited Warranty, parties will attempt to first resolve the matter by negotiating in good faith. If this fails, parties agree to submit the dispute to the Small Claims Tribunal of British Columbia and agree to be bound by any order made by the aforementioned Tribunal.

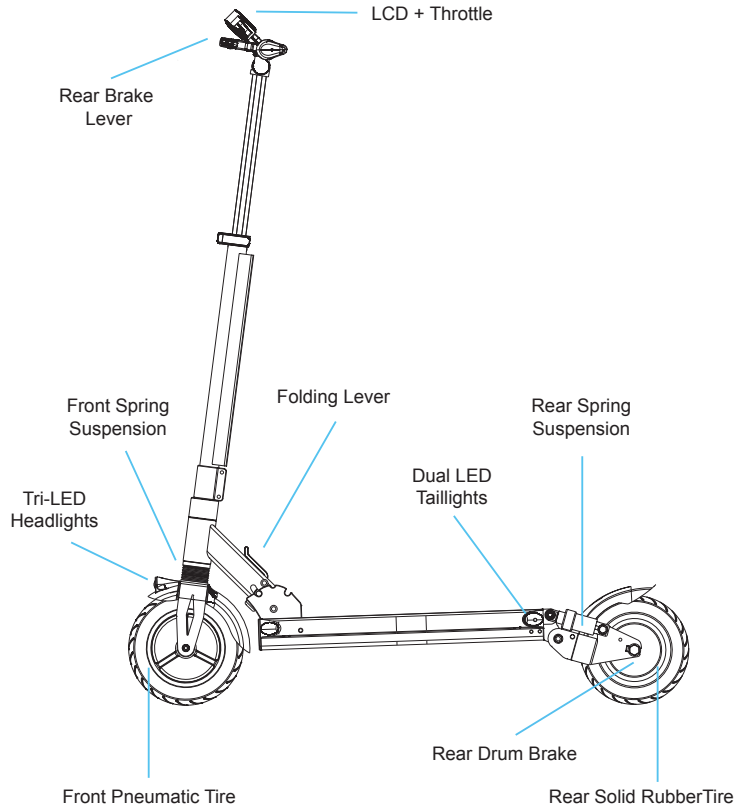
Limited Warranty

6. Products which have had their serial numbers removed or tampered with.
7. This Limited Warranty is in lieu of all other warranties, express or implied either in fact or by operations of law, statutory or otherwise, including, but not limited to any implied warranty of marketability for a particular use.

Disclaimer:

1. The customer understands the risk of serious injury or death in the operation of such products and shall agree to take the necessary precautions and exercise good judgment to avoid hazards and dangerous situations which may result in serious injury or death.
2. The customer shall agree to indemnify and hold harmless EVOLV Rides from all injuries or death arising from the operation of the product.
The use of safety and protective gear such as bicycle helmets is strongly encouraged. And so is the use of good judgment.
3. The customer is advised to take the following precautions:
 - a. Do not ride on wet ground or in heavy rain;
 - b. Take corners slowly and look out for pedestrians;
 - c. Avoid potholes, curbs, and debris on the ground;
 - d. Keep tires pumped to the specified pressure;
 - e. Dismount in places with heavy human traffic and push the scooter manually;
 - f. Service the product every 3 months of regular usage, 6 months for non-frequent usage;
 - g. Do not use the product on public roads and respect local road regulations

CHARGE UP YOUR JOURNEY



3. During the Warranty Period, EVOLV Rides or its authorized service centers will repair or replace, at EVOLV Rides' option and without costs to the customer, any defective Components with new or factory rebuilt replacement items, and return the Products to the customer in working condition, provided that the terms and conditions of this Limited Warranty are met. All defective Products or Components that have been replaced shall become the properties of EVOLV Rides.
4. Products and/or Components that have been repaired or replaced according to the paragraph above will be covered by this Limited Warranty for the balance of the Warranty Period.
5. This Limited Warranty will only be effective when presented together, to either EVOLV Rides or its authorized centers, with proof of date and place of purchase of Products such as the purchase receipt.

What this Limited Warranty does not cover:

1. Products used for commercial purpose(s) including but not limited to leasing/hiring, use in competitions, etc.
2. Any logistical costs of returning the Product to EVOLV Rides or its authorized service centers for servicing or the cost of returning the Product to the customer after servicing.
3. Defects or damages resulting from use of the Product(s) other than its normal and customary manner as stated in the user manuals accompanying the Products.
4. Defects or damages from improper storage, exposure to moisture or dampness, modifications, connections, repairs (except as carried out by EVOLV Rides or its authorized centers), misuse, neglect, abuse, accident, alteration, improper installation, or other acts which are not the fault of EVOLV Rides, including damage caused by dropping, blown fuses, spills of food, or liquid.
5. Defects or malfunctions of the product not communicated by the customer during the Warranty Period.

BY USING THIS PRODUCT YOU AGREE TO THIS LIMITED WARRANTY. PLEASE READ THIS LIMITED WARRANTY CAREFULLY.

To benefit from the Limited Warranty, the customer is advised to read EVOLV Rides. Limited Warranty terms together with the “care and maintenance” sections provided in the user manual. This Limited Warranty applies to the extent permitted by law and unless restricted or prohibited by law.

Limited Warranty Details

1. EVOLV Rides warrants that EVOLV Rides scooter products (“Products” or “Product”) are free from defects in materials and workmanship, according to the following terms and conditions:
2. This Limited Warranty extends to the original purchaser of the product warranted under this warranty and to each transferee of the product during the first _____ months beginning on (date) _____ as stated below (“Warranty Period”).

This Limited Warranty covers the Product and each of its following component parts (“Components”) only:

- a. Hub motor;
- b. Battery packs (except if the battery was short-circuited or seals of the battery enclosure or cells were broken or were tempered or the battery was used in equipment other than its intended use);
- c. Controller;
- d. Throttle and battery indicator unit;
- e. Charger unit; and
- f. All other electrical wiring and components.

Power Switch

Press power button for 3 seconds to turn on scooter. The scooter turns off automatically if not used for 90 seconds.

Speed Control

While stationary, and with the power on, press and release the MODE button to cycle through the three different speed levels 1 to 3. Use the throttle to control the speed within each speed level.

Hold down the MODE button to turn on the headlights and taillights. The taillights will flash automatically when braking.

Power Indication

The number of bars indicates the remaining power of the lithium battery. *Note:* Recharge when there is only one bar because emptying the scooter of power (zero bars) is damaging to the battery over time.

LCD Screen

While stationary, and with the power on, press and release the POWER button to cycle through the following data: ODO: Accumulated Mileage TRIP: Current Mileage, V: Current Voltage Level

To reset the TRIP mileage, while TRIP mileage is displayed, hold down MODE button for 3 seconds.





1. Pull out the locking lever.
2. Extend steering post and fasten handle bars.
3. Straighten the steering column and fasten the locking lever.
4. Ensure the locking pull lever is **secured** and you hear a *click* sound to make sure the locking pin is engaged, before riding.

Product Name	EVOLV City / City Plus
Single HUB Motor	36V 350Watt (City) / 48V 500Watt (City Plus)
Motor Cover Material	Aluminum Alloy
Peak Power	720W Peak (City) / 1100W Peak (City Plus)
Max Speed	35 km/h / 22 mph (Check local laws before use)
Max Mileage	25 - 35 km / 16 - 22 mi (City) 35 - 45 km / 22 - 28 mi (City Plus)
Battery Type	Lithium-ion Battery
Battery Capacity	36V 10.4AH (City) / 48V 13 AH (City Plus)
Lights	Tri-LED Head Lights & Dual LED Taillight
Braking	Rear Drum Brake System
Tires	8.5 Inch Pneumatic Front, Solid Rubber Rear Tires
Suspension	Front Spring and Rear Spring
Dashboard	Blue Smart Display
Display Functions	Battery, Trip, ODO, Speed, Mode and Voltage
Folding	5 Seconds Folding
Body Frame	Aluminum Alloy
Covers Material	Polypropylene
Max Rider Weight	120 kg / 265 lbs
Product Size	109.2 * 19 * 36.8 cm
Product Weight	18 kg (City) / 20 kg (City Plus) 39 lbs (City) / 44 lbs (City Plus)
Box Size	106 * 26 * 44 cm
Colour	Black, Silver, and Grey Combination

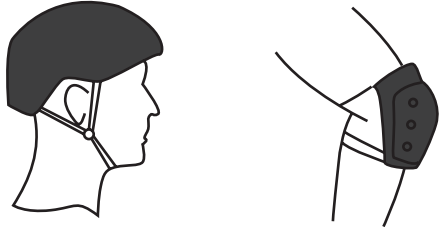
Adjusting Brakes

Small adjustments can be made at the barrel adjuster on the brake lever, but all major adjustments should be made at the opposite end of the cable.

With the barrel adjuster at the handlebar brake lever threaded almost all the way in, adjustments can then be made to the rear brake drum end of the cable. If the brakes are too tight, twist the 14mm nut at the end of the brake cable counterclockwise 1 or 2 turns to decrease tension on the cable. Ensure the threaded portion does not turn while adjusting the nut. Adjust the nut in small increments. If the brakes are too loose, twist the 14mm nut clockwise to increase tension on the cable.



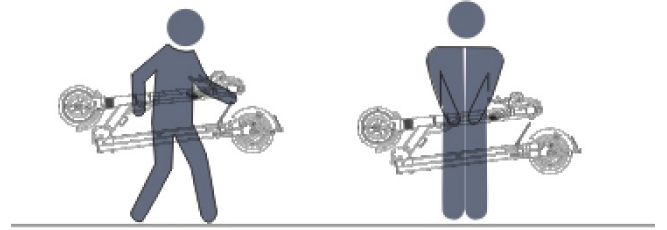
1. Turn off the power.
2. Pull out the locking lever and push the steering stem forward at the same time to fold.
3. Push down the steering post and loosen the handle bars to fold.



1. To prevent injury, wear safety gear such as comfortable shoes, helmet, knee and elbow padding.
2. The scooter is not waterproof. Never use it in the rain or snow. Do not use it if the road is wet or icy. Water damage is not covered by warranty.
3. Changing the dashboard settings may result in malfunction. If you need to change the settings, please ask for help from an expert or authorized dealer.
4. When turning left and right, make sure that there are no obstacles and then turn slowly, keeping a wide turning radius.
5. Before riding at night, check the position of the headlights and state of the taillights by depressing the brake lever.
6. Operating age of 16 years old and over is strongly recommended.

Handling

Lift the scooter by holding the steering column. For balance and even distribution of weight, place hands in the middle of the steering column.



Inflating Tires

Please inflate tires to 50 - 55 PSI to avoid punctures and damage to the tires.

Note: PSI level can usually be found on scooter tires.



Cleaning

To clean the scooter, wipe or scrub with a damp cloth. Do not use a hose to spray it with water.

Note: Make sure the electric scooter is powered off and the cover of the charging port is closed when cleaning. Ensure there is no water penetration by using a damp cloth to clean instead of spraying with water.

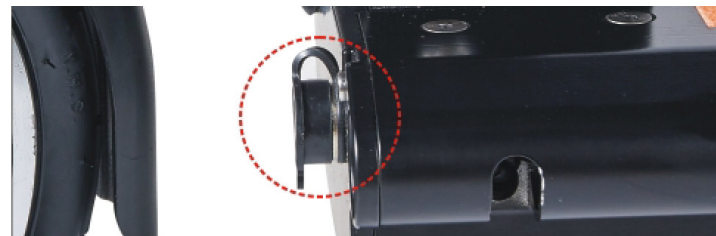
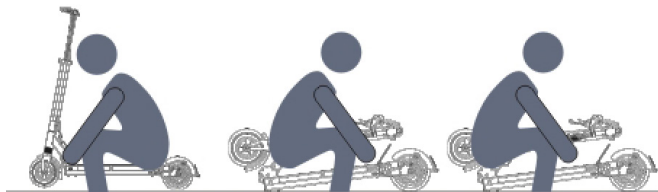
Storage

During the winter months store scooter indoors in a cool, dry place, and away from extreme temperatures. Do not let the battery run flat. The scooter must have at least 20% charge on it at all times. When storing for a long period, place the scooter on a stool or lie it on its side to take weight off the tires. Keep the tires pumped to the recommended PSI.

Note: Recommended PSI can usually be found on scooter tires.

Folding and Handling

Turn the electric scooter off. Hold the steering column and pull the locking lever to fold the scooter. Please see page 3 and 4 of the user manual for instructions on folding and unfolding.



1. Always plug the charger into a household outlet before connecting to the scooter, to safely start charging. Sparks may occur due to the voltage difference when connecting the connector to the charging port, but this is normal.
2. Open scooter charging port cover to connect the charger to the scooter.
3. Charging status indicator.
Red: Charging **Green:** Fully charged
4. If the charger indicates green light, the scooter is fully charged and can be disconnected.

CAUTION:

1. We recommend that you always use the original charger. Performance and safety may be compromised when using a different charger.
2. Charger failure may cause a fire while charging.
3. Do not leave your scooter charging unattended.
4. After unplugging the charger, charging connectors may be hot.

1. Only use the original charger that was supplied with your product to charge the lithium-ion battery. The use of a third party charger could cause serious damage to the battery and can cause a fire.
2. To prevent overcharging, unplug the charger once the charger light indicates the battery is fully charged. Do not charge the scooter overnight. Instead, resume charging when you are available to unplug the charger once the battery is fully charged.
3. Do not leave the lithium-ion battery exposed to direct sunlight or high temperature. Do not store it in wet places. Always store it in dry places.
4. Charge lithium-ion batteries in dry, open, and well-ventilated places. Do not charge the battery near flammable goods.
5. In the winter, keep the scooter stored inside, away from extreme temperatures. Do not let the battery run flat. The scooter must have at least 20% charge on it at all times. Please see page 11 of user manual for storage instructions.
6. If the battery protection circuit is damaged, the battery may emit an unusual smell. Contact your authorized service center immediately for technical support.
7. Do not reverse the polarity on a battery and short-circuit. Exposing the battery to excessive shock can result in an explosion of the battery.
8. Do not try stunts or jumps on the product on bumpy surfaces. Exposing a battery pack to excessive shock can result in a battery fire. If in an accident contact your service center to ensure that the battery is not compromised.

9. Connecting the charger when the product is waterlogged will run the risk of an electric shock and possible fire. Do not charge the battery and contact your service center.
10. Do not disassemble or incinerate the lithium-ion battery. To safely dispose of the lithium-ion battery, label it as industrial waste and be careful of a short-circuit occurring in terminals.
11. If the battery requires replacement after long-term use, always replace it with one that is purchased from an authorized dealer.
12. Do not use the battery if it leaks or gives off an odor. Avoid charging the battery without proper care.
13. Depending on the model, riding conditions, and rider's weight, range will vary on a full charge. Please note that batteries operate optimally at around 25 degrees Celsius. In colder weather, it is normal for your scooter to experience a shorter than normal range on a full charge.
14. When the scooter needs to be stored for a long period of time, make sure the scooter has at least 20% charge at all times.
15. If a product with a lithium-ion battery overheats and there is smoke or ignition, you should stop charging or using it immediately. Move the product outdoors and use a fire extinguisher to diffuse it. Do not spray or immerse the product in water to diffuse the fire.