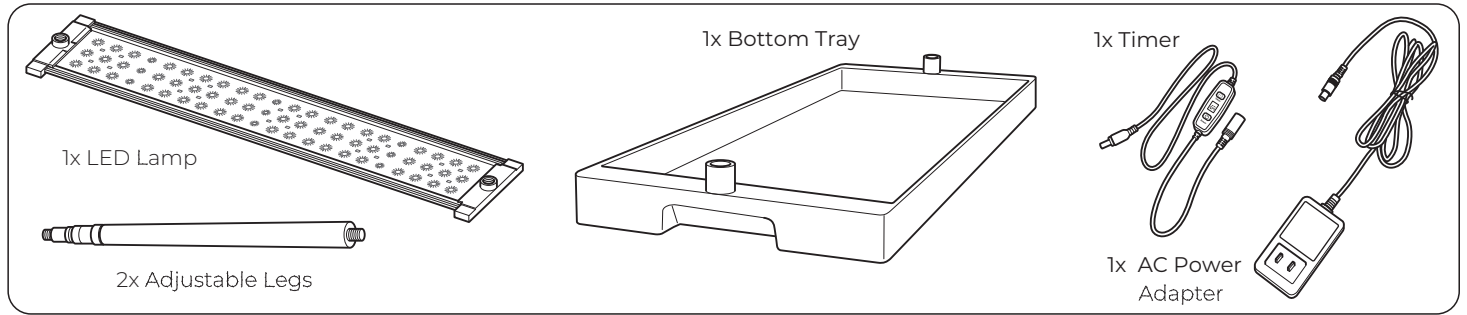




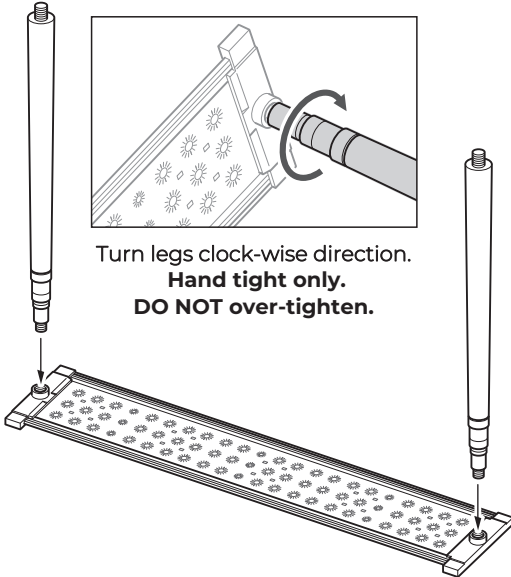
EPIC GARDENING® SEED STARTING GROW LIGHT

PARTS INCLUDED

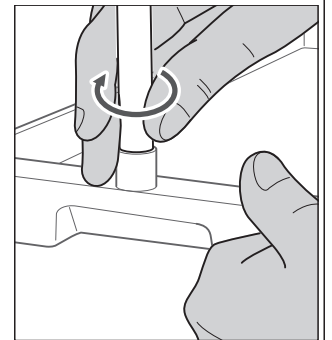
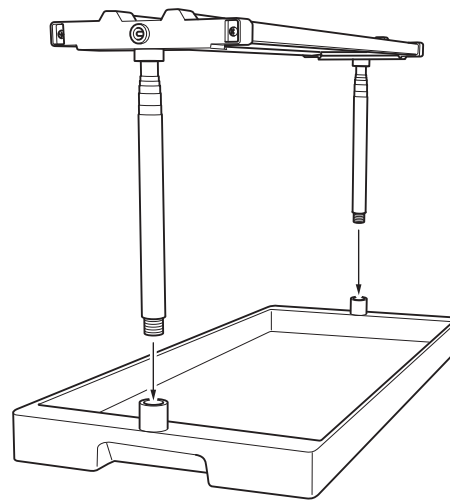


ASSEMBLY INSTRUCTIONS

① Attach both legs to LED lamp.



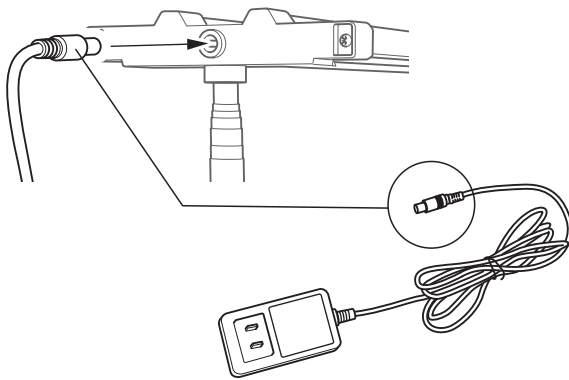
② Attach LED lamp to bottom tray.



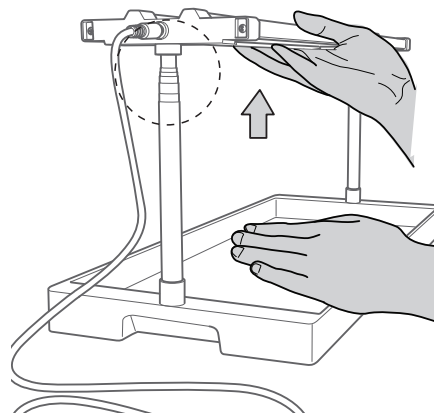
Turn legs clock-wise direction.
Hand tight only.
DO NOT over-tighten.

**DO NOT USE A TOOL TO
TIGHTEN LEGS!**

③ Attach power adapter to LED lamp.

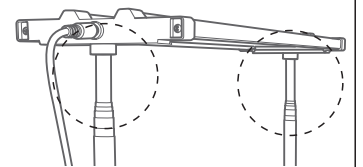


ADJUSTING THE LAMP HEIGHT



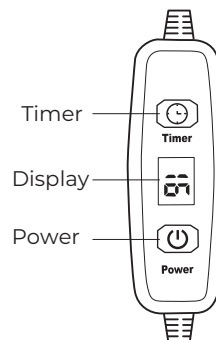
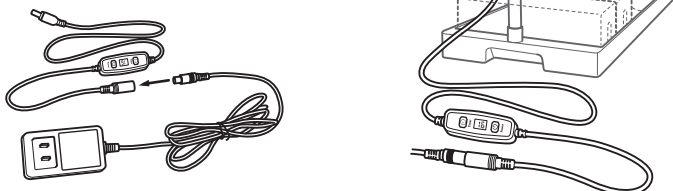
Hold the lamp at the middle
and lift both legs at the same
time.

Adjust to desired height.



TIMER OPERATION (OPTIONAL)

Connect the timer to the power adapter.



1. To turn ON/ OFF, press button.

2. To turn change the timer press button.

Display will change **16** to **17**,
up to **24**, and then back to zero.