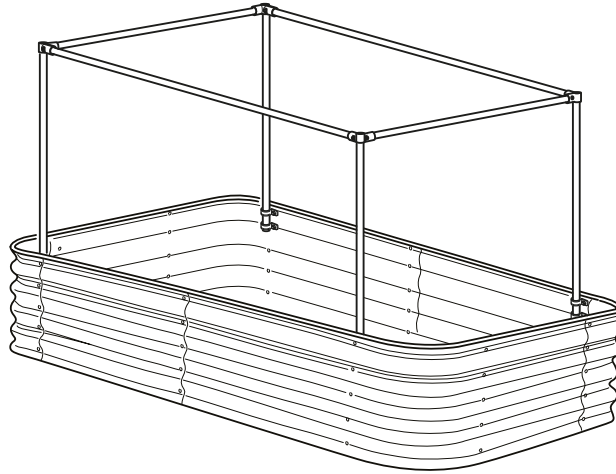




EPIC GARDENING

Epic Cover Frame Kit



Product Overview

The Epic Cover Frame Kit gives you all the connectors you need to build a cover frame for your raised beds. All you need to provide is the EMT conduit.

The connectors allow you to configure the frame as a square or rectangle according to your specific needs.

We provided two options designed to work with Birdies Beds, but the kits can easily be modified for different configurations. While these kits have been designed to fit an Original 8-in-1 or 6-in-1 Birdies Bed, they can work with any raised bed or no bed at all.

Once built, you can use the frame to support crops or attach protective covers such as shade cloth or insect netting.

Parts included

<p>6-in-1 Cover Frame Kit</p> <p>4x 90° connector</p> <p>8x One hole Straps</p> <p>1x Allen Key</p> <p>6x Fabric Clamps</p> <p>2x Bolts 2x Nuts</p>	<p>8-in-1 Cover Frame Kit</p> <p>4x 90° connector</p> <p>2x Four way Connectors</p> <p>1x Allen Key</p> <p>8x One hole Straps</p> <p>6x Fabric Clamps</p> <p>2x Bolts 2x Nuts</p>
--	--

Required Supplies (Not Included)

- 3/4 in. EMT Steel Conduit
Usually Sold in 10-foot lengths at most hardware stores.
- Steel tubing cutter or hack saw
To cut the steel EMT conduit.
- Phillips screwdriver
- Adjustable wrench

Setup Dependent Supplies

- 3/8 in. x 3 ft. Rebar– One for each leg of the trellis.
- Hammer
- Torpedo level

Optional supplies (not included)

- Protective covering
- Insect net
- Shade cloth

FOR QUESTIONS OR CONCERNS PLEASE CONTACT CUSTOMERSERVICE@EPICGARDENING.COM
EPICGARDENING.COM



Raised Bed Cover Frame Assembly Instructions

First, determine how many pieces of conduit you need.

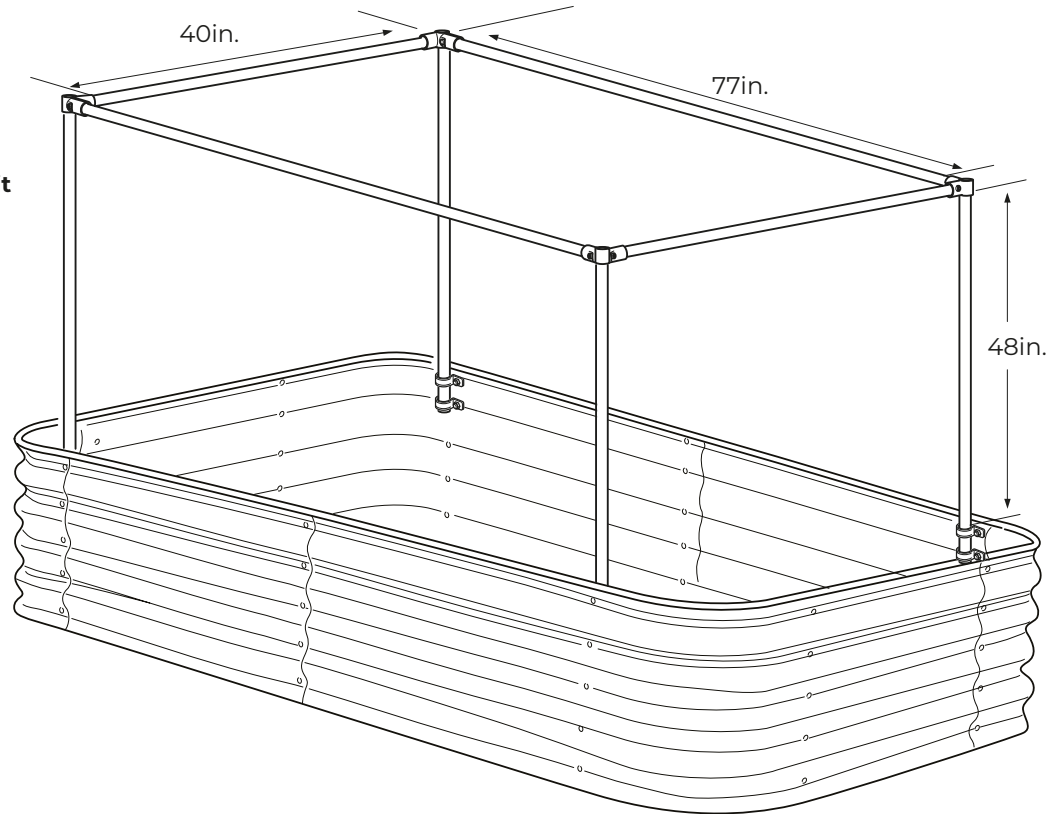
Decide the length, width, and height of the cover frame you want to build.

Note:

With 3/4 in. conduit, if you aren't putting much weight on the structure, you can have up to ten feet between supports.

When installing on a Birdies Bed, measure distances inside the bed at the existing bolt locations.

Here is an example of a frame installed on an 8-in-1 Birdies Bed in the B1 configuration.

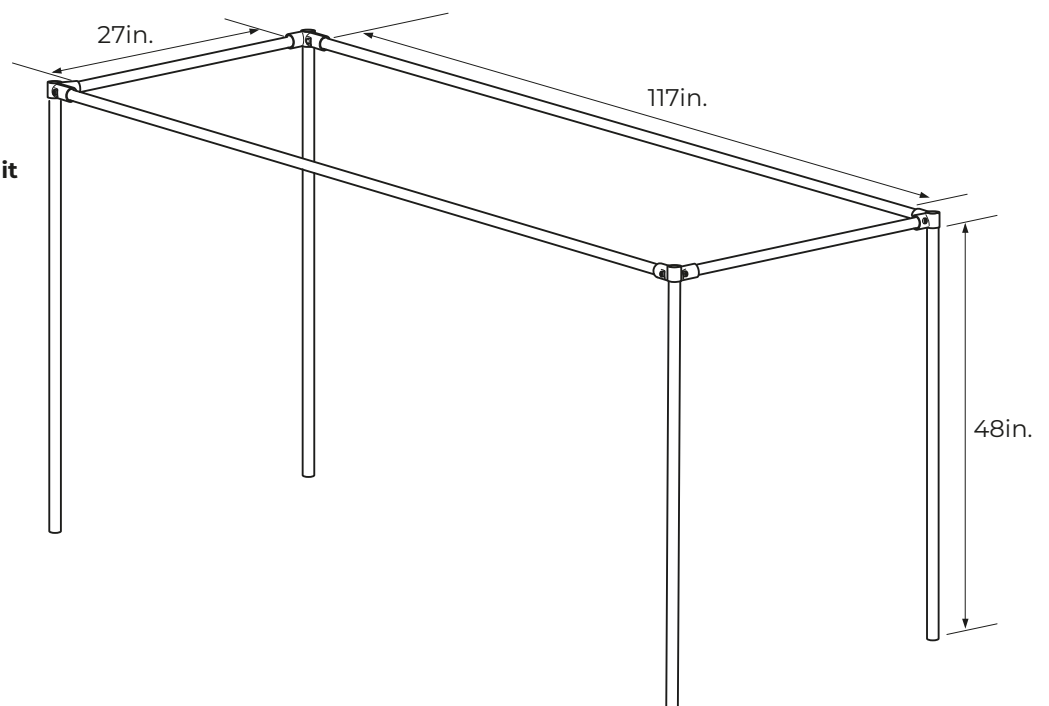


4 pieces of 3/4in., 10ft. Conduit

> 2 cut into 4, 48in. pieces

> 2 cut into 2, 40in. pieces
2, 77in. pieces

Here is an example free-standing frame that is 30 inches wide, 10 feet long, and 4 feet high.



5 pieces of 3/4in., 10ft. Conduit

> 2 cut into 4, 48in. pieces

> 1 cut into 2, 27in. pieces

> 2 cut into 2, 117in. pieces



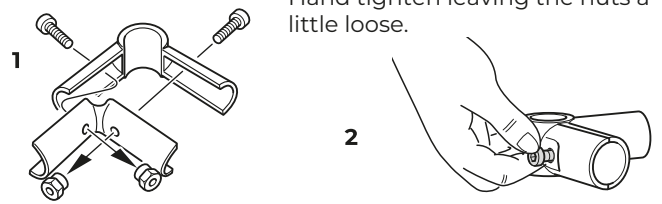
On the Ground Cover Frame Assembly Instructions:

Your frame does not have to be attached to a raised bed. It can be freestanding on the ground.

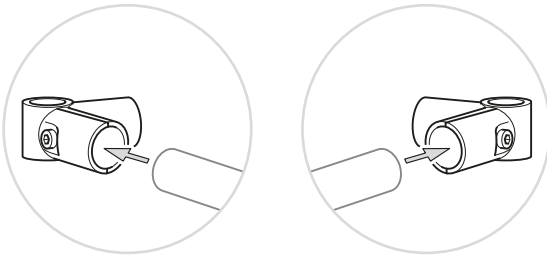
- 1** Pre-cut all the conduits for your vertical supports.
IMPORTANT: The conduit must be cut 3 in. shorter than your desired length due to the connectors. Set those pieces aside.

- 2** Cut your short crossmembers and long crossmembers to length.
IMPORTANT: The conduit must be cut 3 in. shorter than your desired length due to the connectors.

- 3** Preassemble two 90-Degree Connectors by inserting the bolt from the outside and the nut on the inside. Be sure to have the collar on the nut facing into the connector.

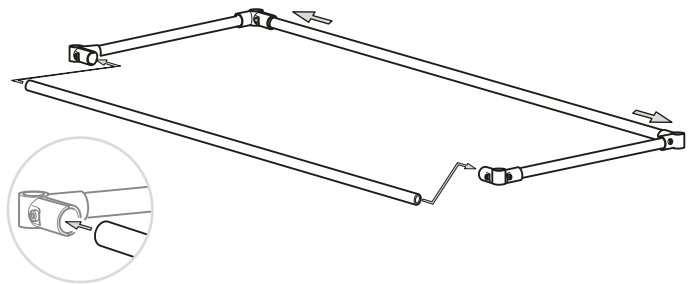


- 4** Slide one end of your pre-cut **short** crossmember into the 90-Degree Connector and hand tighten. Repeat on the other end of the crossmember.



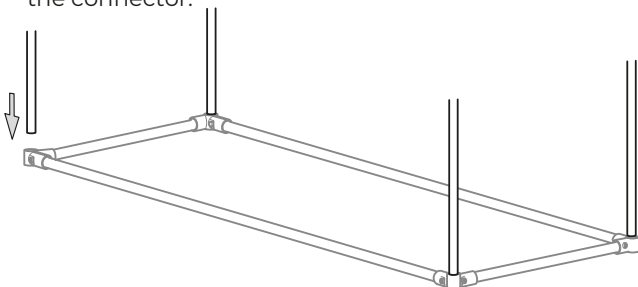
- 5** Repeat Steps 3-4 using the remaining short crossmember cut in Step 2.

- 6** Insert one of your **long** crossmembers into the two open ends of the 90-Degree Connectors assembled in Step 4, and hand tighten.



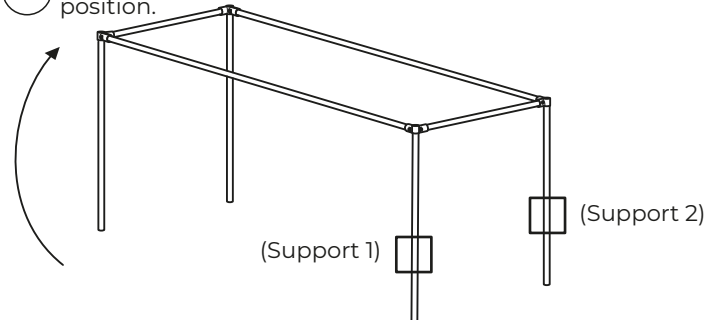
- 7** Repeat the process on the other side, completing the rectangle. Hand tighten.

- 8** Insert the vertical supports each of the 90-Degree Connectors so the conduit is flush with the bottom of the connector.



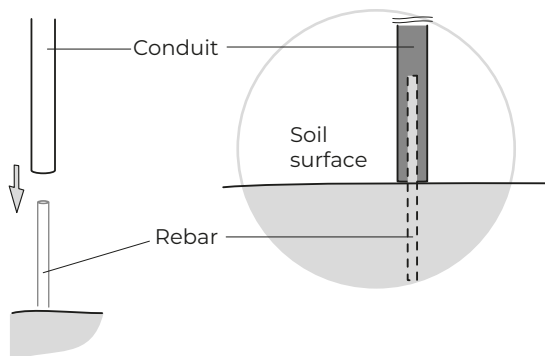
- 9** Tighten all of the bolts using the Allen key and adjustable wrench.

- 10** Turn your frame right side up and place it in its final position.



- 11** Mark the position of one of the vertical supports (Support 1).

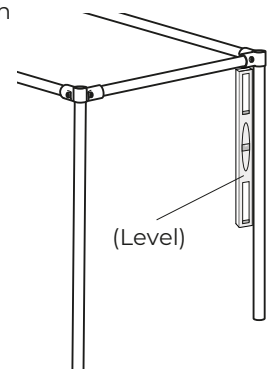
- 12** Move the support slightly out of the way and hammer a section of rebar into the marked position. For stability, be sure to have at least 12 inches of rebar in the ground and 6 inches above the ground.



- 13** Place Support 1 over the rebar.

- 14** Position the opposite support (Support 2) in its final position.

- 15** Use a torpedo level to ensure both supports are vertical, adjusting as necessary.



- 16** Repeat Steps 11-13 for Support 2.

- 17** Repeat Steps 11-13 for Supports 3 and 4, checking to make sure each support is vertical when put into position.

Once the cover frame has been secured to the ground, you can use it to support growing plants or cover it with a protective covering such as shade cloth or insect netting.

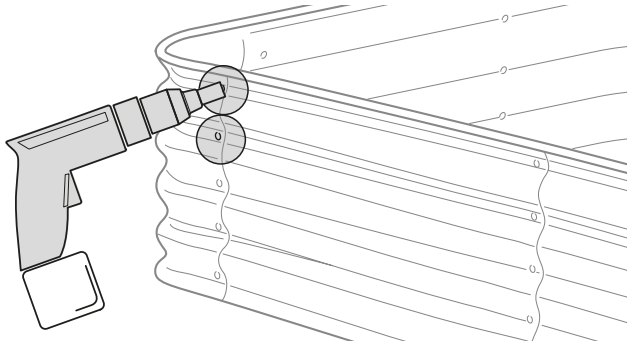


Birdies Bed Attached Cover Frame Assembly Instructions:

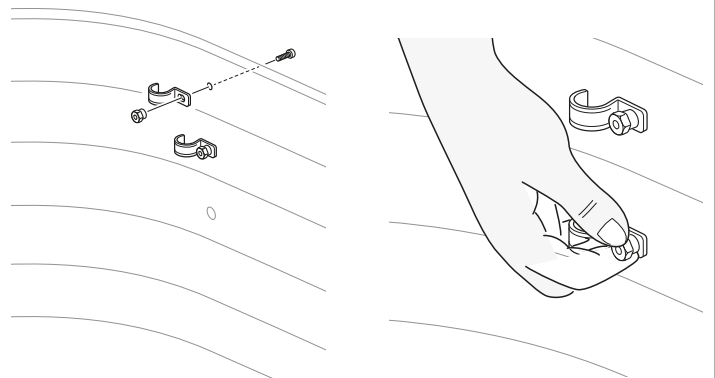
Your cover frame can be securely attached to your Birdies Bed utilizing the existing holes and hardware.

1 Pre-cut all the conduits for your vertical supports.
IMPORTANT:
The conduit must be cut 3 in. shorter than your desired length due to the connectors. Do not cut your cross-member pieces at this time.

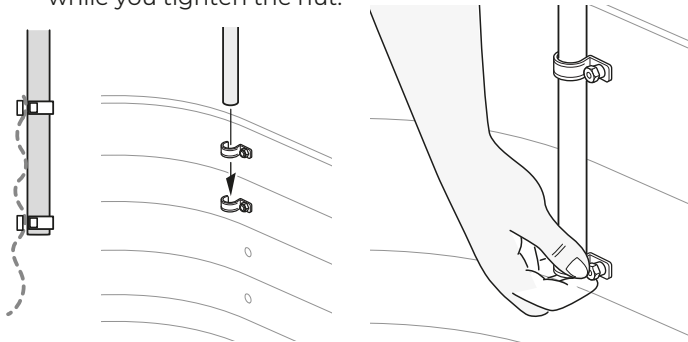
2 Remove the top two bolts from the Birdies Bed at the first attachment point.



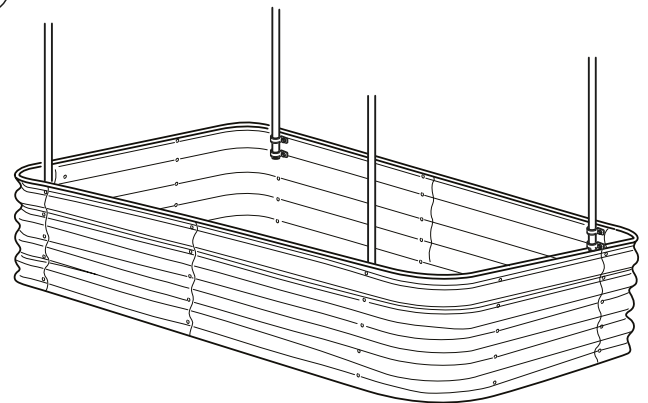
3 On the **INSIDE** of the bed, install the One Hole Straps into the top two holes using the hardware you removed in Step 2. Orient the strap, so the loop is closest to the end. Finger tighten the nuts..



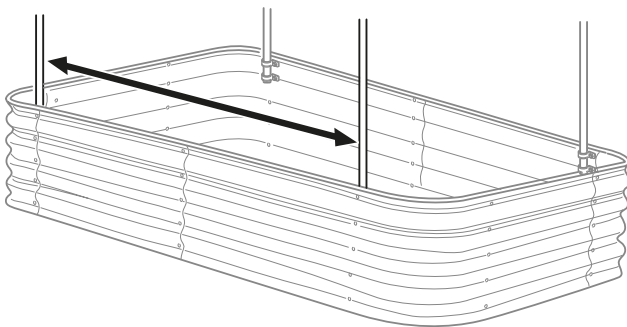
4 Insert the vertical support down through both One Hole Straps, so the bottom of the conduit is flush with the lower One Hole Strap. Hold the vertical support in place while you tighten the nut.



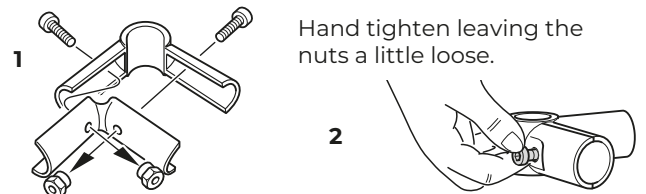
5 Repeat Steps 2-4 for all of your vertical supports.



6 Measure the inside distance between two vertical support. Note this distance and subtract 3 in. from the measurement. Mark your conduit with this measurement and cut **TWO** crossmembers to length.

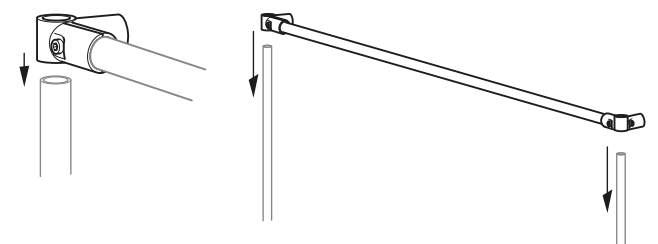


7 Preassemble two 90--Degree Connectors by inserting the bolt from the outside and the nut on the inside. Be sure to have the flange on the nut facing into the connector.

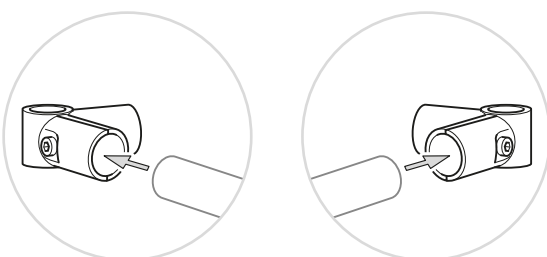


Hand tighten leaving the nuts a little loose.

9 Slide the assembled piece of the corresponding vertical supports.



8 Slide one end of your pre-cut crossmember into the a 90-Degree Connector and hand tighten. Repeat on the other end of the crossmember.

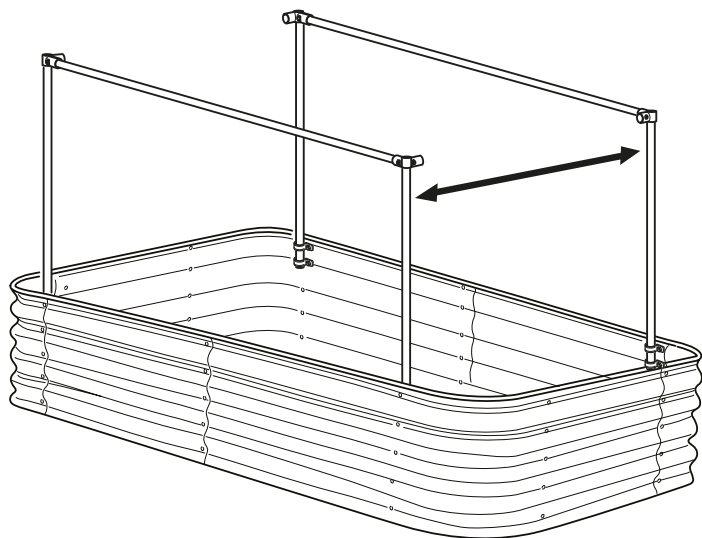


10 Repeat Steps 7-9 using the remaining crossmember cut in Step 6.

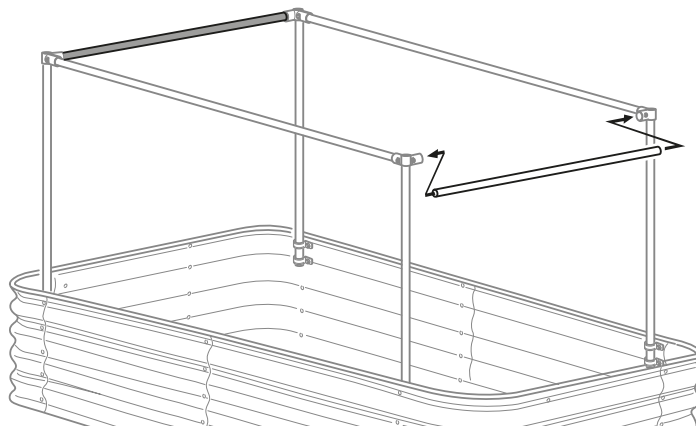


continue...Birdies Bed Attached Cover Frame Assembly Instructions:

- 11** Measure the inside distance between the remaining vertical supports. Note this distance and subtract 3 in. from the measurement. Mark your conduit with this measurement and cut **TWO** crossmembers to length.



- 12** Insert the conduit into the two open ends of the 90-Degree Connectors. Note: You may need to gently pull the vertical conduit back to fit the new piece.

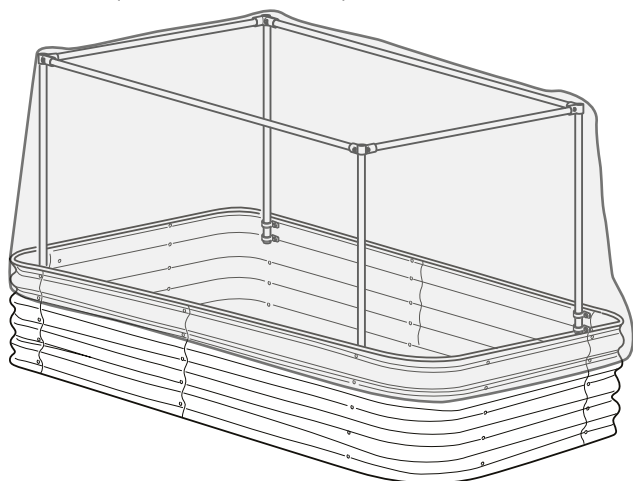


- 13** Repeat the process on the other side of the bed.
14 Tighten all of the bolts using the Allen key and adjustable wrench.

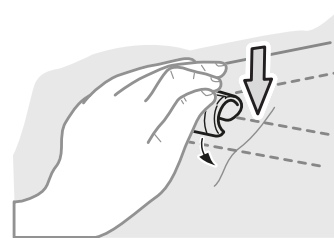
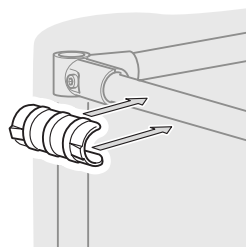
Attaching a Protective Covering:

While this is possible with one person, you can get a much cleaner look when two people work together.

- 1** Place the protective cover over the frame, ensuring that equal amounts overlap each side of the frame.

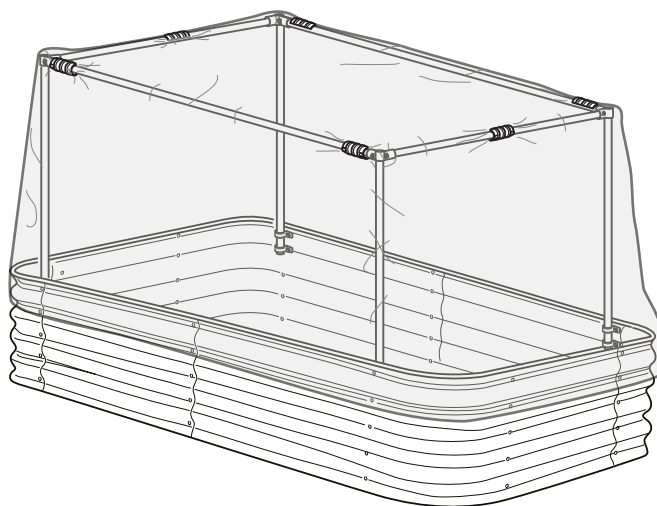
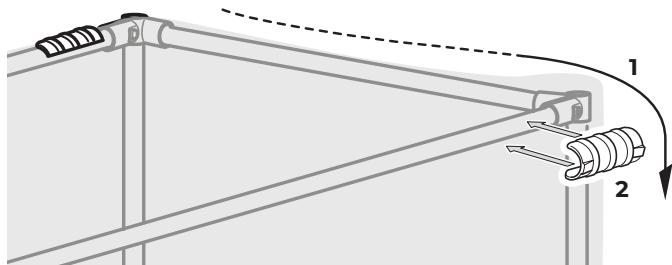


- 2** Attach a Fabric Clamp onto one side of the frame near the connected end. To attach the Fabric Clamp, place the clamp onto the fabric and press down firmly, locking the fabric between the clamp and the conduit. Repeat the process on the other end of the conduit.



Press down.

- 3** On the side opposite the attached side (Step 2), pull the fabric tight and apply the Fabric Clamps.



- 4** Repeat Steps 2 and 3 for the two remaining sides of the frame.

FOR QUESTIONS OR CONCERNS PLEASE CONTACT CUSTOMERSERVICE@EPICGARDENING.COM
 EPICGARDENING.COM