

Dear Gardener,

First of all, thank you for your purchase. Your support of our business is the lifeblood that allows us to fulfill our mission: to teach the world to grow. We're grateful for it and do not take it for granted.

Your Cedarline Raised Bed is constructed from the highest-quality cedar possible: 100% North American Western Red Cedar. It contains natural oils and tannins that protect it from weathering, rotting, decay, and termite damage.

The custom-profiled side panels create a gorgeous aesthetic, and your bed features a top cap ledge that's perfect to set your gloves, snips, and coffee on as you work in your garden.

I hope you find a deep joy in using this bed and growing the veggies, herbs, and flowers you've dreamed of. If you have any questions, reach out to customerservice@epicgardening.com and we'll take care of you ASAP.

Keep on growing,



Kevin Espiritu
Founder,
Epic Gardening

Kevin E.

FAQs



Scan the QR code for product details, installation video, and more FAQs!

Do I need to apply a finishing oil to my bed?

Finish is optional and will allow for the natural cedar colors to shine and be preserved. If left unfinished, cedar will naturally become a silvery grey tone from exposure to UV light and the elements. The color won't change the longevity of the beds and is simply a preference.

Where should I install my planter/ raised bed?

This bed is made for growing in ground and for ideal aesthetics and installation ease you should build it on level ground.

If you're placing your bed on pavers, concrete, tiles, or other surfaces you don't want to stain, use a bed liner or other non-permeable material.

To use, place your raised bed in position, then place the fabric on the bottom of the bed from the inside. Run excess fabric up each side and then fill your bed with soil. The fabric allows water to drain freely, but keeps soil from touching your surface.

Optional: To further protect the surface, place thick builder's plastic down before placing your bed into position. Once the bed is filled, the excess plastic can be trimmed around the edge of the garden bed with an Exacto knife.



Question? Contact Us:
customerservice@epicgardening.com

How do I fill my new planter/ bed?

To make filling your bed as simple as possible we've calculated the soil volumes for this model already. We have provided them in cubic feet, cubic yards and quarts to help you source your growing medium more efficiently.

Cedarline Small Raised Bed

Soil Volume:
15 Cubic Feet, .55 Cubic Yards, 450 Quarts

What is the estimated time it will take to assemble, and can I do it myself?

All of our beds are designed to be assembled solo within approximately one hour. However, for lifting and positioning the bed, we suggest having an additional person to help, as it not only makes the process smoother but also ensures easier handling.



Want to see how your product was made?

Scan the QR code to watch how we make our cedar raised beds & elevated planters!

Designed in-house and manufactured by our partners in the Pacific Northwest, you'll see the complete journey from tree to planter.

Looking for more gardening advice?
Find us on our blog or follow us below!

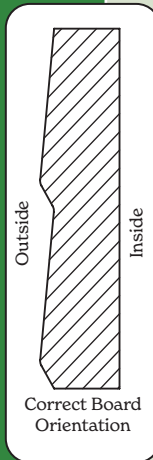


Cedarline Small Raised Bed Assembly Instructions

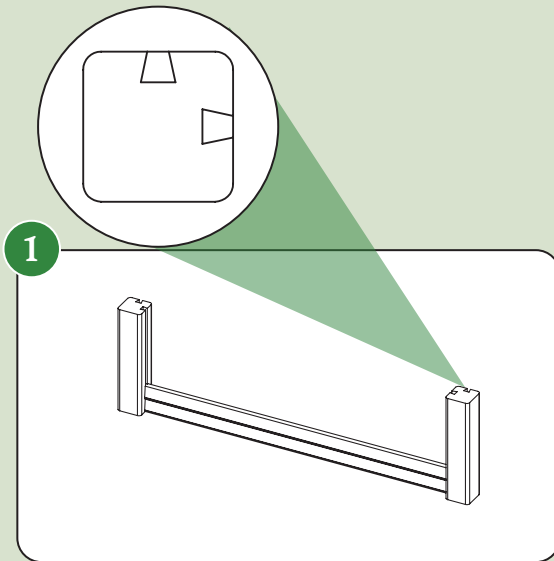
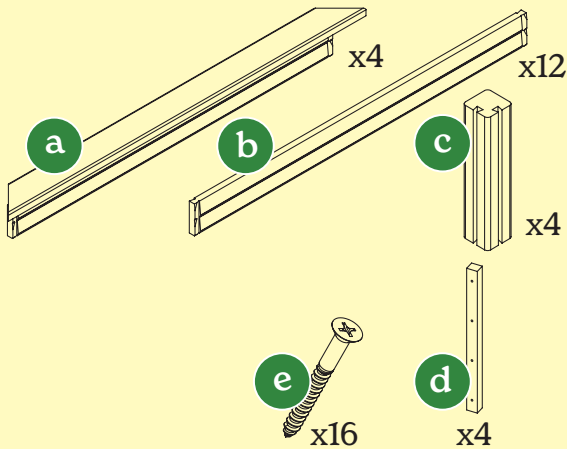


IMPORTANT: Read before beginning

- For best results assemble and install the raised bed on a smooth level surface.
- If installing on a soil surface, the surface should be leveled first. It can be helpful to lay concrete pavers, bricks or one inch of tamped gravel where the legs will be. The legs can sink into soft soil over time causing the planter to become crooked or lower than desired.
- Wear gloves to avoid potential slivers
- Due to the dovetail construction, it is important that the side boards are installed perpendicular to the legs. If the boards become crooked it can cause binding which makes sliding the dovetail ends much more difficult.
- Ensure the dovetail boards are oriented with the profiled side facing out and with the longer sloping surface on the top.

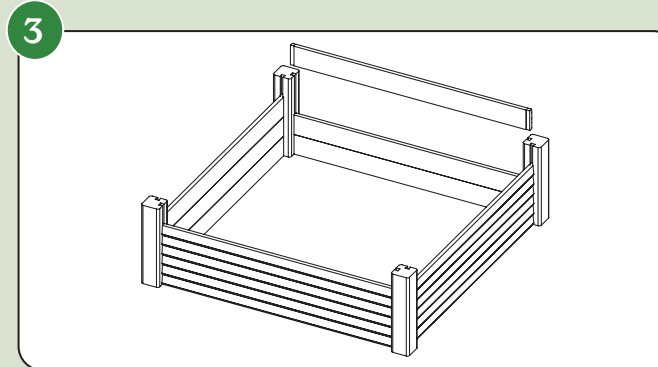
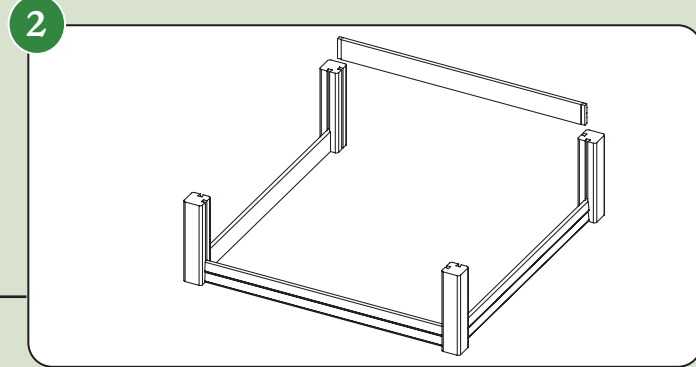


Included components:

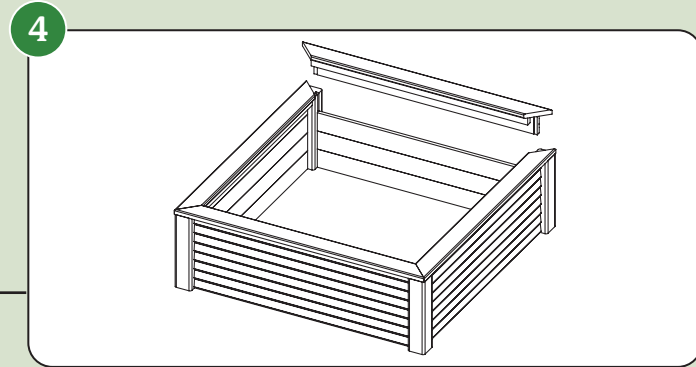


Stand two corners (c) parallel to one another so that two of the dovetail joints are facing each other and the other two are pointing in the same direction. Slide a sideboard (b) into opposing dovetails until they are flush with the bottom of the corners. The profiled side will be the outside of the planter and should be facing the opposite side of the corner from the unused dovetail channel.

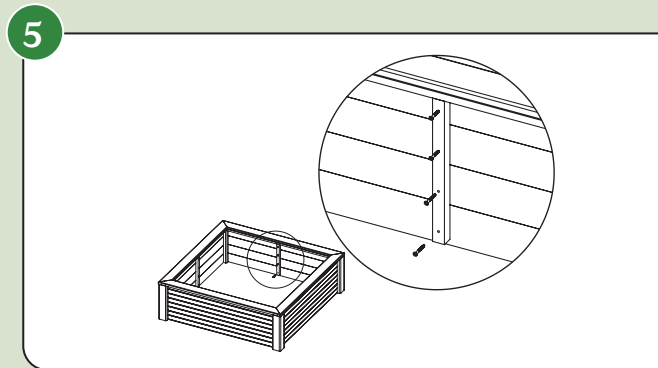
Stand the assembled ends parallel to one another so that the profiled side on the end panel is facing away from each other and so the unused dovetail joints are facing each other. Slide the side boards (b) into the opposing dovetails, until they are also flush with the bottom of the corners. Repeat on the opposite side of the middle panel with the remaining end assembly.



Slide the remaining side boards (b) into the dovetail channels ensuring the profiled side of the boards are facing the outside of the planter. Repeat this until all boards have been used.



Install the pre-assembled top sill boards (a) so that the profiled face is pointing outward. The mitered corners will rest on top of the corner posts and the edge of the sill board will be flush with the outside face of the corner posts.



To install the recommended alignment brace (d) find the center of each of the side panel sections. Place a flat face with through holes on the inside face of the panels so that the brace is running vertically and the top edge of the brace rests just under the top sill. Use the provided screws (e) to attach the brace to the side panel boards. Tighten the screw through the pre-drilled holes until the screw head is flush with the surface of the brace.

Helpful Equipment:

4 Foot Level | Gloves | Phillips Head Screwdriver
HG-RBED-00006 | R 03-24

IMPORTANT:

Iron based tools can react with cedar and create black staining. The staining is removable but best practice is to avoid storing iron tools on the bed.