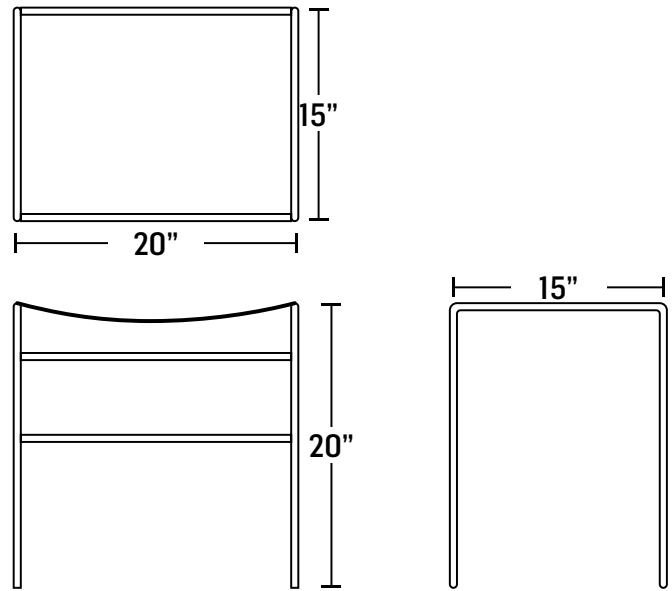


LEATHER SLING STOOL



PRODUCT TYPE

Stool

MATERIALS

Cold Rolled Steel

Leather

DIMENSIONS

L - 20" / D - 15" / H - 20"

PRODUCT CARE

LEATHER

- Wipe dust and dirt with a clean dry microfiber cloth
- Clean spills with absorbent cloth immediately. If necessary, gently wipe spill using a clean cloth and luke-warm water. Clean entire surface and allow to air dry.
- Natural leather will tan and patina over time. Natural leather is left unfinished so will absorb spills and oils.
- Beeswax can be applied to restore moisture, protect against stains and even out discoloration. Apply every 3 months or as desired.
- Leather should be kept away from heat, try to maintain a 3 foot space between heat source and leather.

METAL

- Our steel furniture is powder coated
- Removing any dust or dirt with a soft cloth should be the only maintenance required
- Avoid using any abrasive cleaning products, oils and other polishes

PRECAUTIONS

- Keep out of direct heat and sunlight