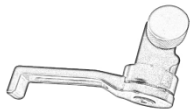


Installation Manual



MiniPro Parking Stand – Front Facing

Components



Parking Stand x 1



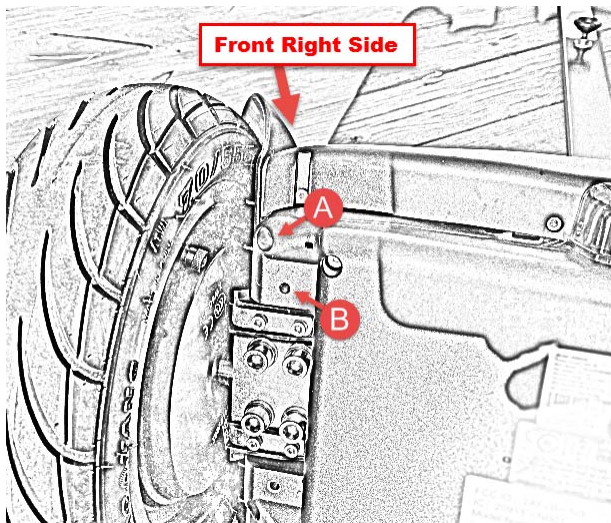
Hand-tightened Screw x 1

Note

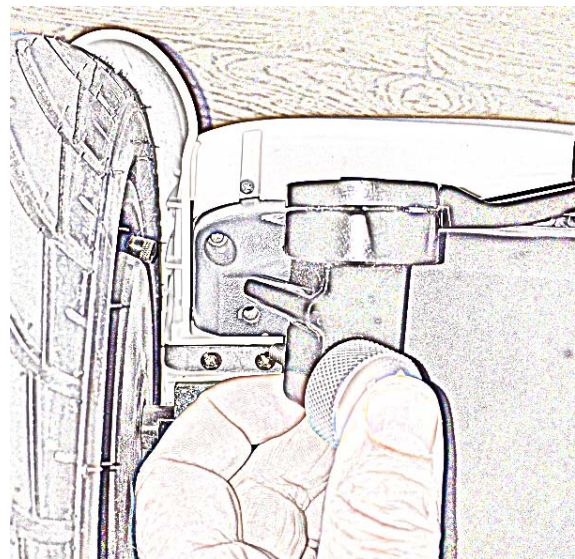
The Stand is made for the front side of the MiniPro and will only fit in one location.

Installing

1. Locate the peg hole and screw hole on the front right underside of the MiniPro:



2. Insert the peg of the parking stand into the peg hole and tighten the hand-tightened screw into the screw hole:



3. When installed, it should look like this:

