

ASSEMBLY INSTRUCTION

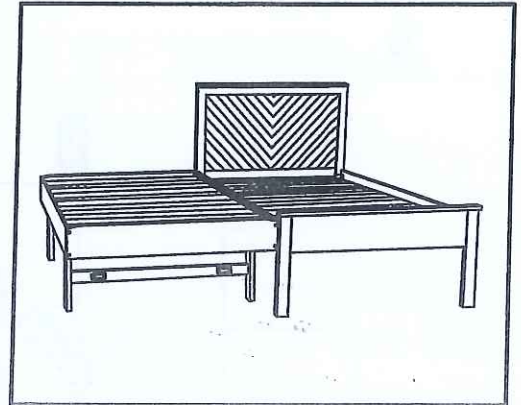
CHEVRON
GUEST BED

Hardware

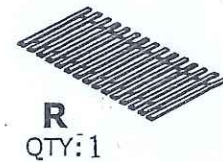
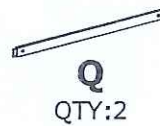
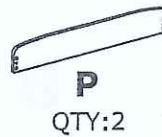
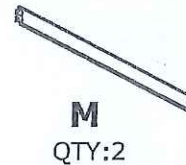
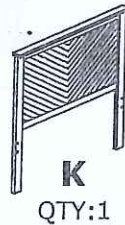
ITEM	IMAGE	DESCRIPTION	QTY
A		M8 x 25mm JCBC Screw	8
B		M6 x 60mm JCBC Screw	4
C		M6 x 70mm JCBC Screw	8
D		M6 x 13mm Flat Washer	12
E		M4 x 32mm Wood Screw	60
F		M4 x 15mm Wood Screw	8
G		Bed Castor	4
H		M6 x 13mm Barrel Nut	12
I		M10 x 30mm Wood Dowel	4

Tools Required

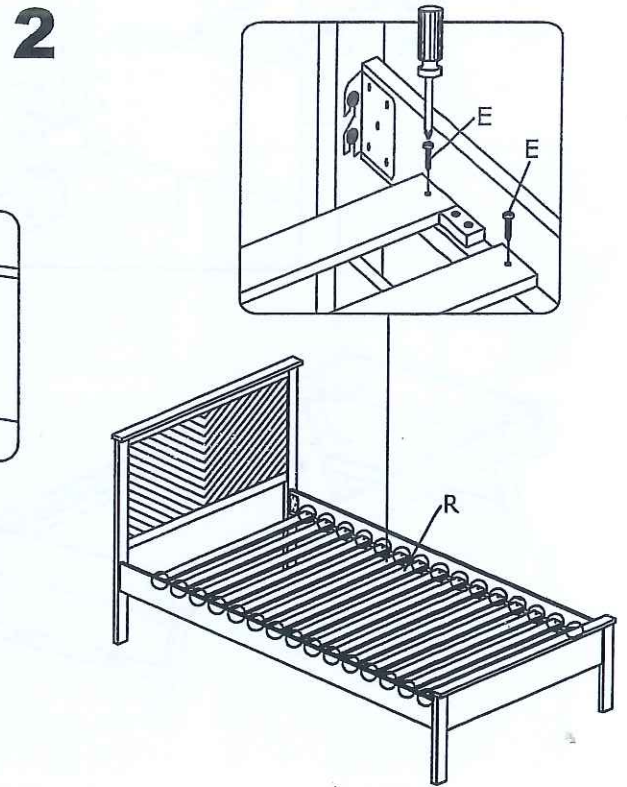
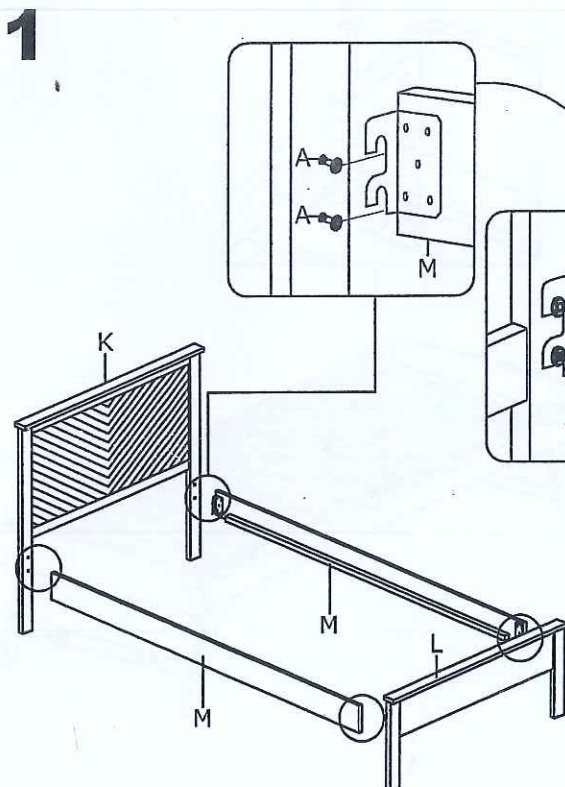
Power tools NOT recommended



Components



Assembly Instruction

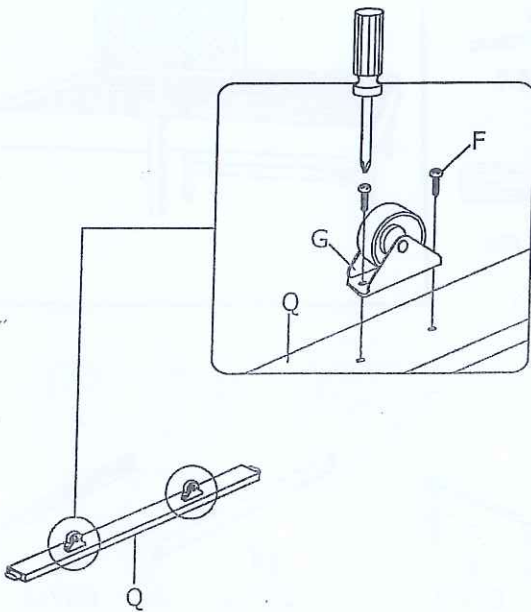


ASSEMBLY INSTRUCTION

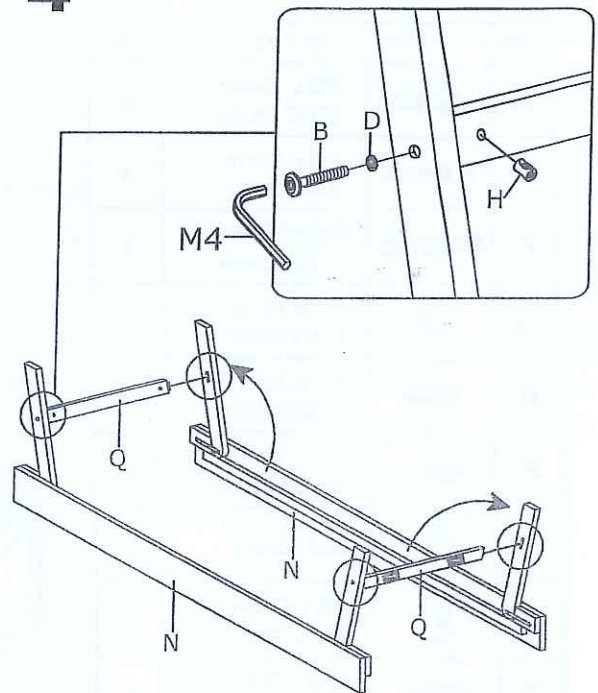
CHEVRON

GUEST BED

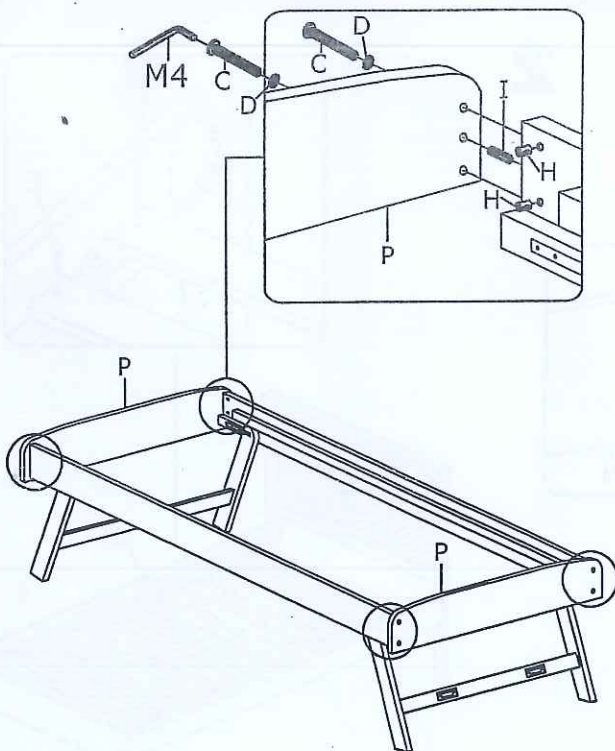
3



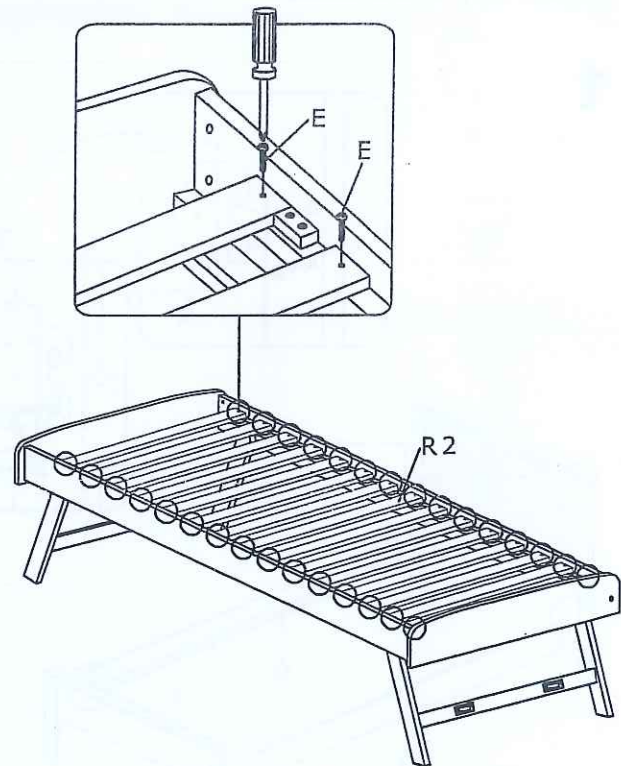
4



5



6



For user safety periodically verify and tighten all fittings.

13.04.2023 GB1 v_1-Chevron Guest Bed