

# Tori 4.0 Desk Assembly Instructions

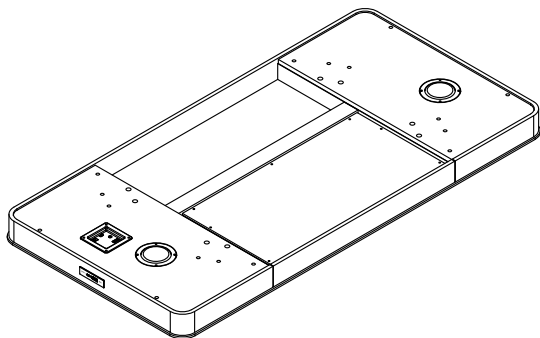


STOCK Ref.: DOTORB4 / DOTORW4

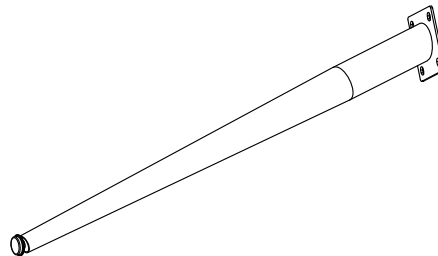
Imported By: Koble Designs (Justwise Group Ltd). CB11 3AP.

# Main Components

Please check you have all the parts listed below



**1** Table top Qty 1

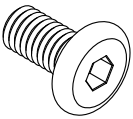
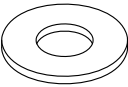
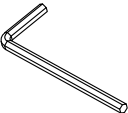

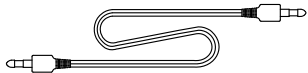
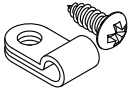


**2** Leg Qty 4

# Fixings, Fittings And Tools

Please check you have all the parts listed below

**Note:** The quantities below are the correct amount to complete the assembly. In some cases more fittings may be supplied than are required.

<p><b>A</b></p>  <p>M6*25mm Screw Qty 16</p>	<p><b>B</b></p>  <p>Ø16mm Washer Qty 16</p>	<p><b>C</b></p>  <p>M4 Allen key Qty 1</p>
<p><b>D</b></p>  <p>2M Power cable Qty 1</p>	<p><b>E</b></p>  <p>AUX Cable Qty 1</p>	<p><b>F</b></p>  <p>Cable tidy clip Qty 1</p>

For missing or damaged parts, call our Customer Helpline: 01799 513466 or email [help@koble designs.com](mailto:help@koble designs.com)

# Assembly diagram

## Step 1

Carefully place table top **1** upside down onto a clean flat surface.

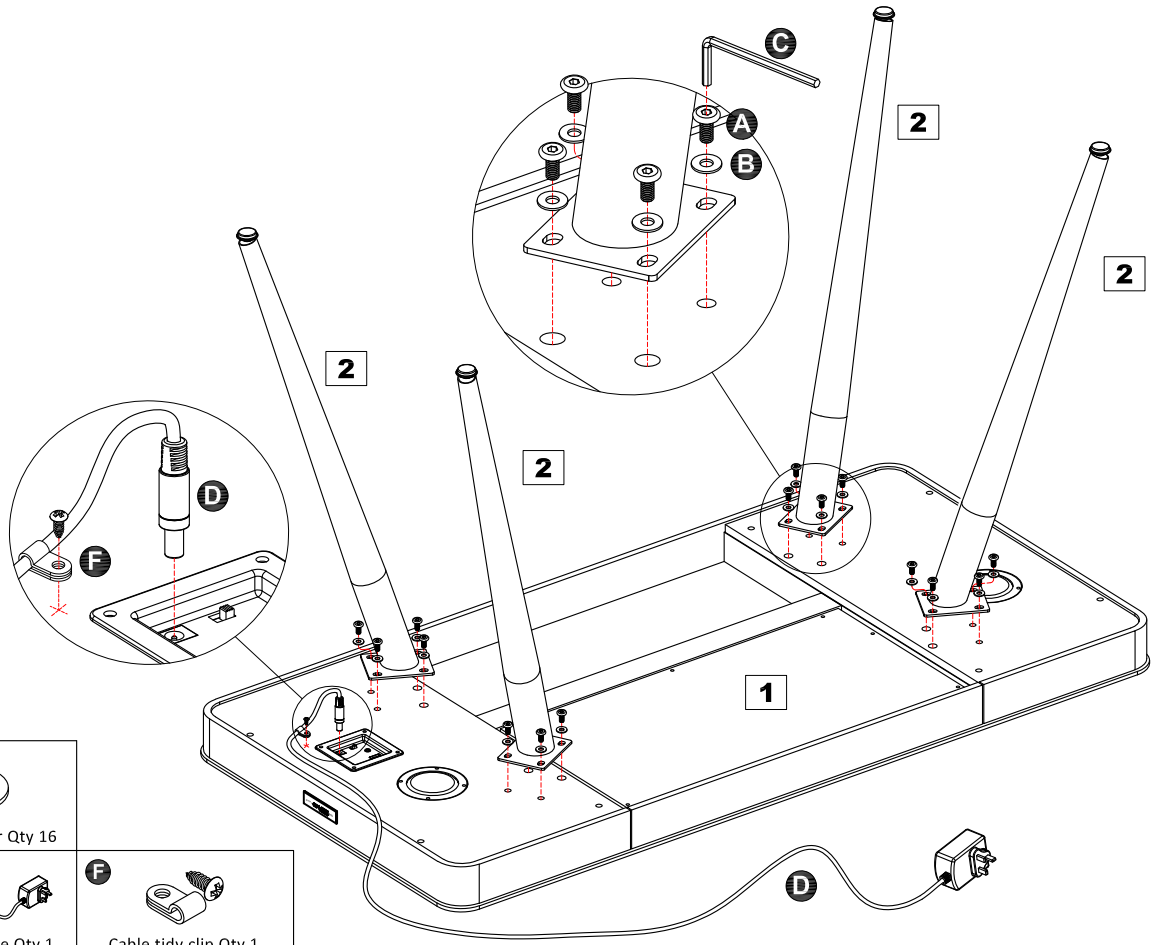
Ensure the surface is suitably protected to prevent any damage to top **1**.






## Step 2

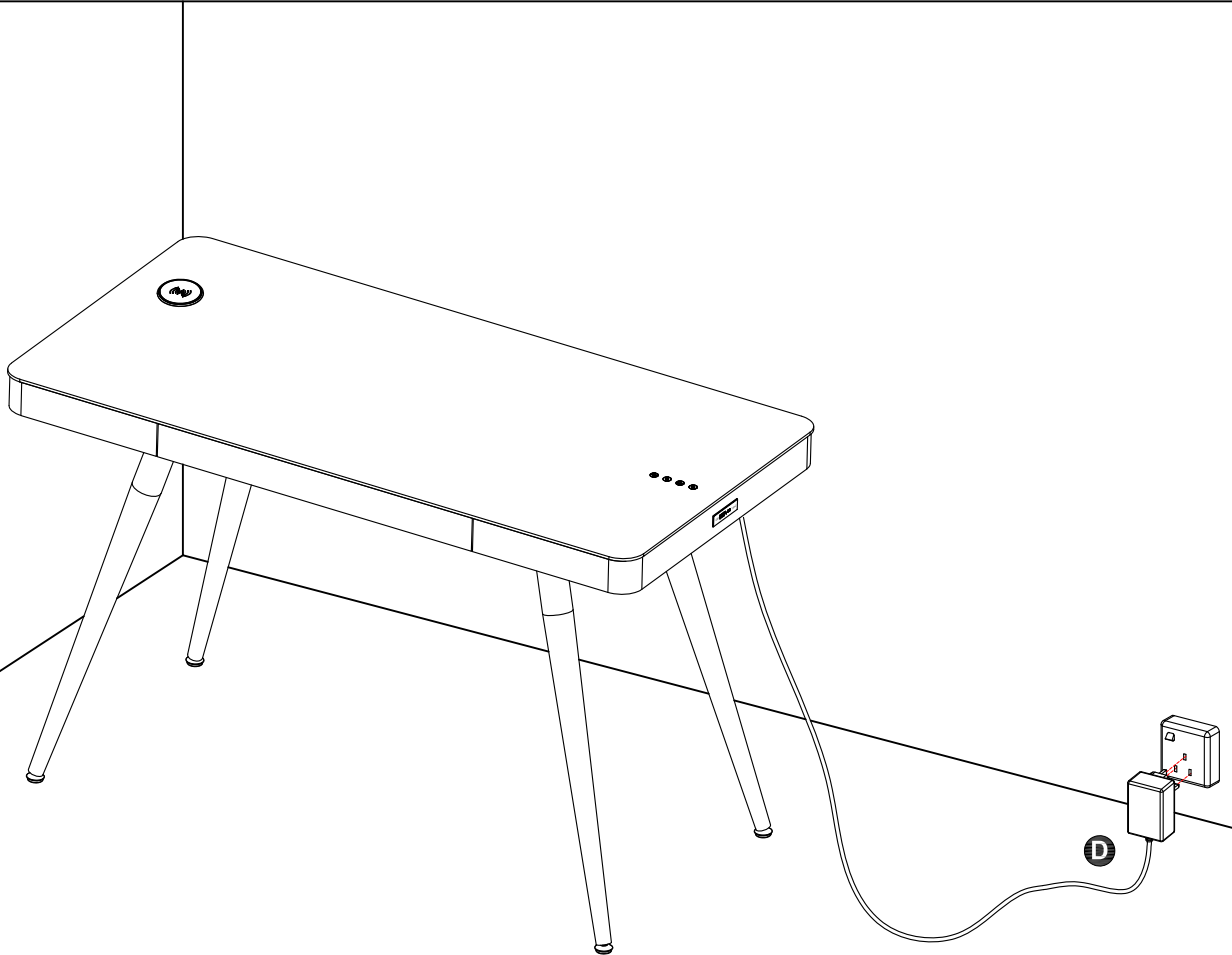
Assemble legs **2** to table Top **1** using fixings **A** and **B**.

## Step 3

Secure power cable **D** to the underside of top **1** using cable clip **F**.

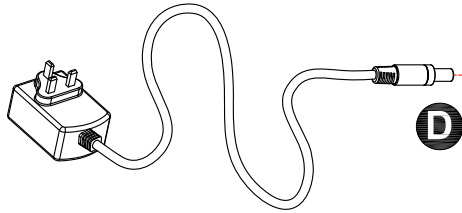


<b>A</b>  M6*25mm Screw Qty 16	<b>B</b>  Ø16mm Washer Qty 16	
<b>C</b>  M4 Allen key Qty 1	<b>D</b>  2M Power cable Qty 1	<b>F</b>  Cable tidy clip Qty 1

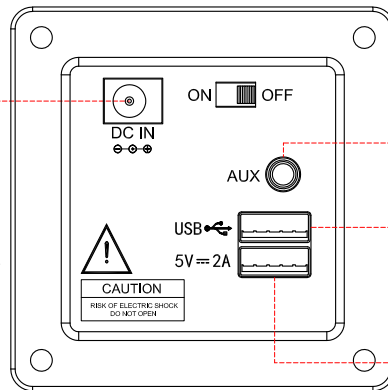


# Connector Assembly Drawing

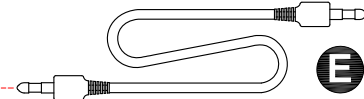
## Connection on Underside of Desk



Insert the DC head of the power cable into the DC hole in the Panel on the underside of the desk, and the other end into the household electrical socket.



Insert one end of the AUX cable into the AUX hole of the module and the other end into the 3.5mm headphone hole of the mobile phone to play the sound of the mobile phone through the product.



Insert the USB flash drive into this hole, the system will automatically identify the MP3 file and automatically play.

This USB port can charge the phone.

**Important – Safety - Only use the power adaptor supplied.**

The use of any other power adaptor may cause overheating or other electrical faults.

## Functions

### Desktop Keys



**Volume - / Previous**

( Press and hold to decrease volume/  
Press once to select the previous track. )



**Play/Pause**

( Play/ Pause tracks/ Long press  
to disconnect bluetooth. )



**Volume + / Next**

( Press and hold to increase volume/  
Press once to select the next track. )



**Function key**

(Tap to switch to the next mode)

### Bluetooth mode

On initial power up, the desk will automatically default to Bluetooth mode. Allow Bluetooth pairing on your mobile device and select 'Koble' from the list of available devices. Once pairing is successful, an audible beep will be heard. To disconnect Bluetooth, press and hold the '⏸' key for 3 seconds.

**Note** - The desk can only be paired with one device at a time. To connect to a different device, first disconnect from the original device, then begin a new pairing with the new device.

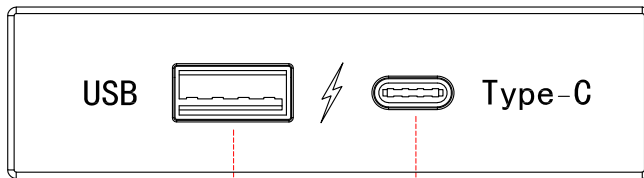
### AUX mode

Press the '⏸' key on the desk top to switch to AUX mode. Connect the AUX cable to the port on the underside of the desk and the other end to your music playback device (3.5mm headphone jack). Use your playback device to control music playback through the desk speakers. In the AUX mode, the desktop keys cannot be used to control music playback.

## USB mode

Insert a USB flash drive with MP3 files into the music reading USB port on the underside of the desk. It will automatically recognise and play songs in MP3 format.

## USB Charging



USB Charging and USB Type C ports located on side of desk.

USB Charging Port

Type USB-C Charging port

- \* Two interfaces supported 18W quick charge
- \* Please connect correctly with type C and the USB charger with desk.

## Wireless Charging(Magsafe)

If you have a wireless charging compatible device, please put the phone on the wireless charging indicator and check if the phone is successfully connected to the charging function. If not, move the mobile phone near the logo until the connection is successful.

Some phone cases may inhibit the wireless charging function or it's efficiency. It may be necessary to remove the phone case if difficulties are experienced.



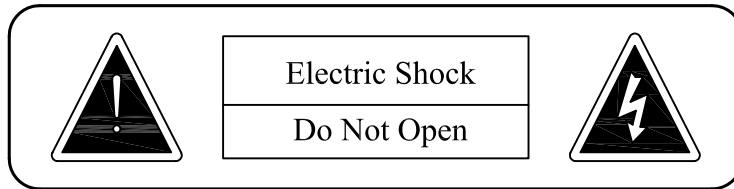
Wireless charging will only work with wireless charging compatible mobile devices.

## Main Features

1. Bluetooth function.
2. Support AUX Line in.
3. USB model input.
4. High quality loudspeaker.
5. Independent power adaptor, 12V direct voltage.
6. Supports smart phone playback and recharge.
7. 15W MAGSAFE wireless charging. (with wireless charging compatible devices)

# Electrical system

## WARNINGS!! Please read carefully



This symbol is intended to alert the user to the presence of un-insulated “dangerous voltage” within the product's enclosure that may be of sufficient magnitude to cause an electric shock.



This symbol is intended to alert the user to the presence of important operating and maintenance Instructions in this user manual.

- a. In order to avoid accidents, do not open any electrical covers. Refer to a professional if the circuit is faulty.
- b. Do not expose the unit to damp or moisture.
- c. Keep the unit away from containers holding liquid. If any liquid enters into the unit, it may be damaged.
- d. Do not expose the unit to dust or smoke.
- e. If the unit will not be used for a long time, please unplug the power.
- f. When using the unit, if smoke appears, or if there is a peculiar smell, please turn off the power, pull out the socket and seek professional help.
- g. Pull out the plug before cleaning the surface of the machine. It can be cleaned with a damp cloth and soap.

# Trouble shooting

When a failure occurs, please refer to the following solutions, find out the presumable causes and solve the problem, if these are of no help, please refer to a professional.

PROBLEM	PROBLEM CAUSE	REMEDY
No power display	Power plug not inserted properly. There is no power in the socket. The power is not switched on.	The jack must be electrical. Press the plug. Turn on the power.
No sound	Audio sound cable not properly connected. The volume was set to the minimum.	Connect the audio sound cable correctly. Set the volume to normal standard.
No high or low sound	High / low volume set to minimum.	Set the volume to normal standard.
No wireless charging	Power not connected. Mobile device does not have wireless charging function.	Check power is connected and on. Check your mobile device has wireless charging capability. Remove device case.

## Technical specification

ITEM	PARAMETER	ITEM	PARAMETER
VOLTAGE	AC100V-240/50-60HZ	S / N	≥65dB
OUTPUT POWER(RMS)	8W*2	DISTORTION	≤0.5%
FREQUENCY RESPONSE	80HZ-20KHZ	SEPARATION	≥40dB

# Important Safety Instructions

When using an electrical furnishing, basic precautions should always be followed, including the following:  
Read all instructions before using (this furnishing).

**DANGER** – To reduce the risk of electric shock:

1. Unplug the power plug before cleaning, wipe the dust on surface with damp cloth when cleaning. Be careful not to let water drops into the internal parts, or loose the connector.
2. Check carefully to ensure correct and complete assembly before using.
3. Be familiar with all functions and program settings of the product before first use.
4. Don't allow children to play near the desk as their behavior is unpredictable. The manufacturer is not responsible for loss, injury, or damage due to those improper action.
5. The slight noise caused by the internal mechanism or brake system of the structure, will not have any effect on the use of the equipment.
6. Do not use corrosive or abrasive materials are near the equipment. Please ensure that the cleaner used will not pollute the environment.
7. This appliance can be used by children aged from 8 years and above and persons with reduced physical, sensory or mental capabilities or lack of experience and knowledge, only after they have been given supervision or instruction concerning use of the appliance in a safe way and understand the hazards involved. Children should not play with the appliance.

8. Cleaning and user maintenance should not be attempted by children without supervision.
9. If the supply cord is damaged, it must be replaced by the manufacturer, its service agent or a similarly qualified person in order to avoid a hazard.
10. Please make sure there is no hazard sources in your operating environment. e.g., do not litter the tools around. Always be careful to treat the packaging materials in order to avoid any possible danger, e.g. plastic bag may lead to choking hazard to children.
11. We recommend you keep the original package of the equipment if necessary in case of the future use in transportation.
12. Do not use outdoors.
13. Unplug from outlet before putting on or taking off parts.
14. Use this furnishing only for its intended use as described in these instructions. Do not use attachments not recommended by the manufacturer.
15. Never operate this furnishing if it has a damaged cord or plug, if it is not working properly, if it has been dropped or damaged, or dropped into water. Return the furnishing to a service center for examination and repair.
16. Keep the cord away from heated surfaces.
17. To disconnect, turn all controls to the off position, then remove plug from outlet.
18. For grounded products the following statement:  
"WARNING: Risk of Electric Shock – Connect this furnishing to a properly grounded outlet only. See Grounding Instructions."
19. For loading always put heavier items at the bottom and not near the top in order to help prevent the possibility of the furnishing tipping over.

### **SAVE THESE INSTRUCTIONS**

For Household use only

### **SERVICING OF DOUBLE-INSULATED PRODUCTS**

In a double-insulated product, two systems of insulation are provided instead of grounding. No grounding means is provided on a double-insulated product, nor is a means for grounding to be added to the product. Servicing a double-insulated product requires extreme care and knowledge of the system, and is to be done only by qualified service personnel. Replacement parts for a double-insulated product must be identical to the parts they replace. A double-insulated product is marked with the words "DOUBLE INSULATION" or "DOUBLE INSULATED." The symbol (square within a square) is also able to be marked on the product.



# Disposal



■ If disposal of this product becomes necessary, please do this in an environmentally responsible way. Contact your local government office or authority for suitable disposal or recycling options in your local area. Do not dispose of this product, or its components, with your general domestic waste.

## After Sales Support / Product Returns

### Purchased from [kobledesigns.com](http://kobledesigns.com)

In the unlikely event that you need to return the unit because it is faulty, please follow the replacements or faulty items instructions at [www.kobledesigns.com](http://www.kobledesigns.com) website.

Should you need to request replacement parts, please contact our after sales support team at:-

Email - [CS@kobledesigns.com](mailto:CS@kobledesigns.com)

Tel: + 44 (0)1799 513 466

Address: Koble Designs, 6 The Shires, Shirehill industrial Estate, Saffron Walden, Essex, CB11 3AP

### Purchased from other retailer

If you purchased your product from one of our retail partners, please refer back to the retailer directly, for any customer services related issues, refunds or returns requests.

Koble designs may still be able to offer support with technical related queries.