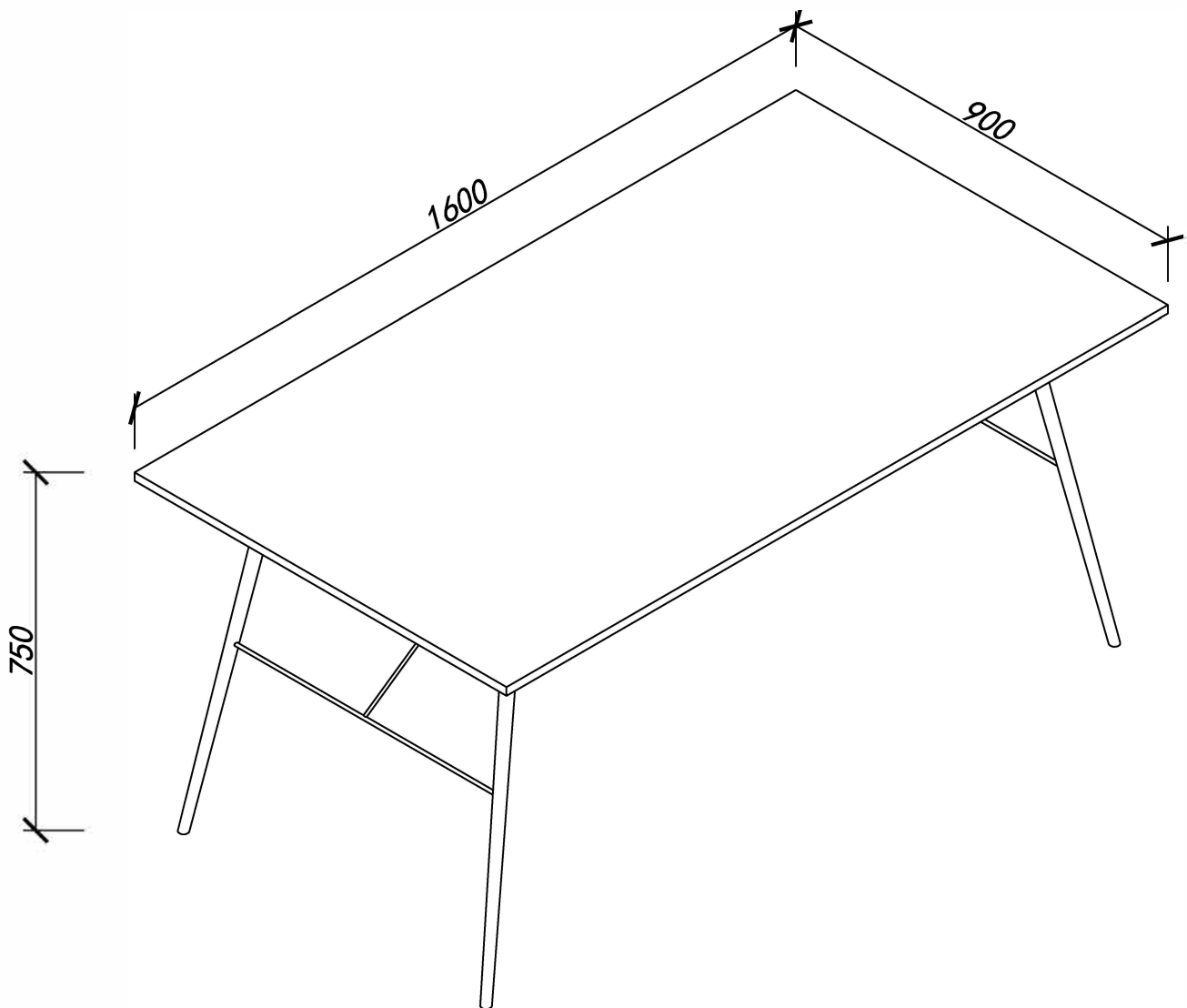


Assembly Instructions

Taylor Dining Table

520699



Keep these instructions for future reference

Assemble the furniture on a soft level surface to avoid damaging the furniture or your floor.

We recommend furniture be assembled near where they will be placed, to avoid moving the product unnecessarily once assembled.

If there is a need to move the furniture, please remove all loose items and have extra hands to help lift the furniture to the desired location. Dragging the furniture will damage both the furniture and the floor.

Regularly check and re-tighten (if necessary) all bolts on furniture that you have assembled yourself.

Tools Required



Care and Maintenance of your Furniture

Do not place very hot or cold items on the table surfaces unless adequate thick table mats are used to prevent such items from coming in contact with the tabletop

Do not sit or stand upon the table.

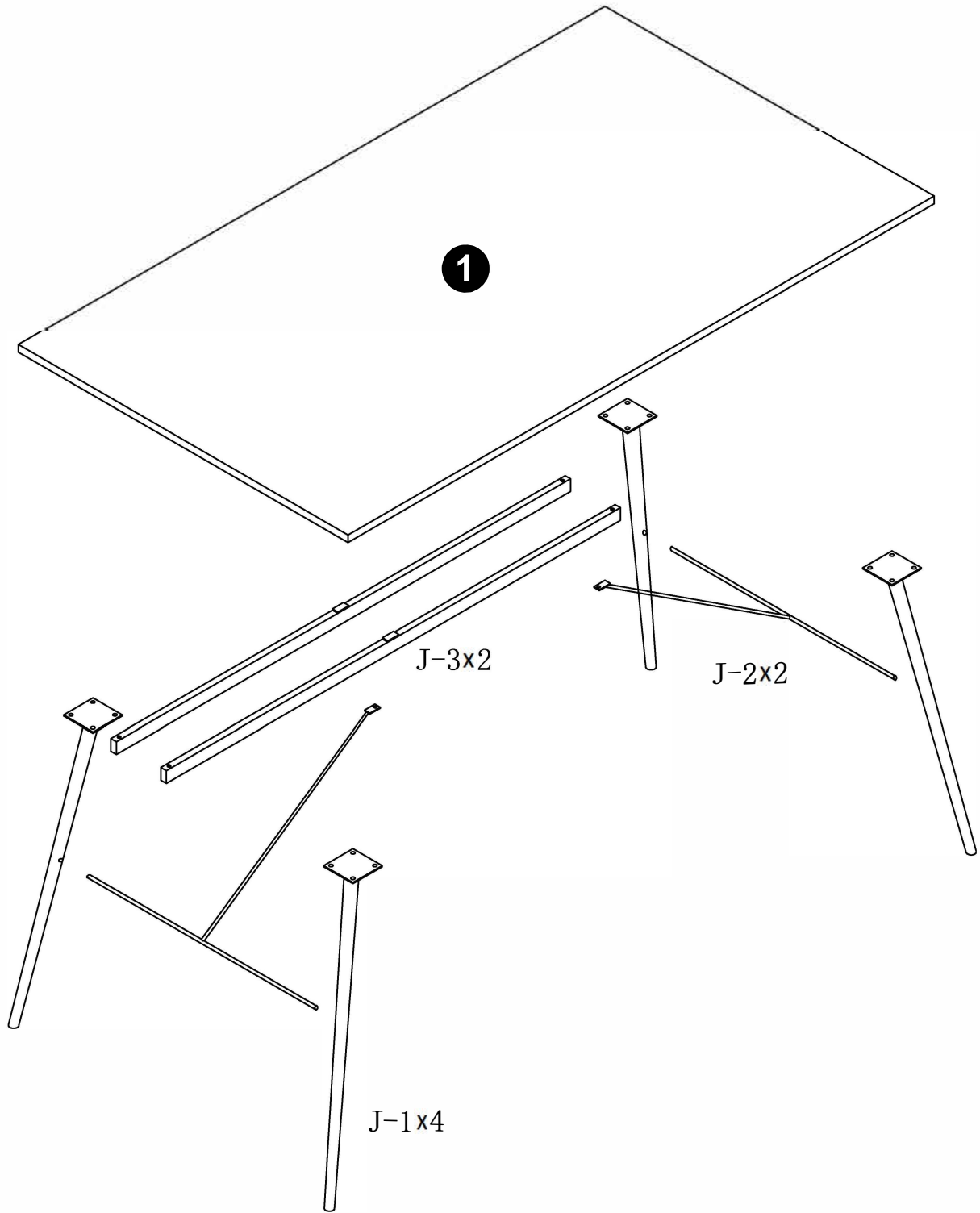
Do not use the table top as a chopping surface.

Do not strike the table with hard or pointed items.






When cleaning the table top use a damp cloth with washing up liquid or soft soap if necessary,

Do not use washing powders or any other substances containing abrasives since these substances scratch the product.

PARTS LIST

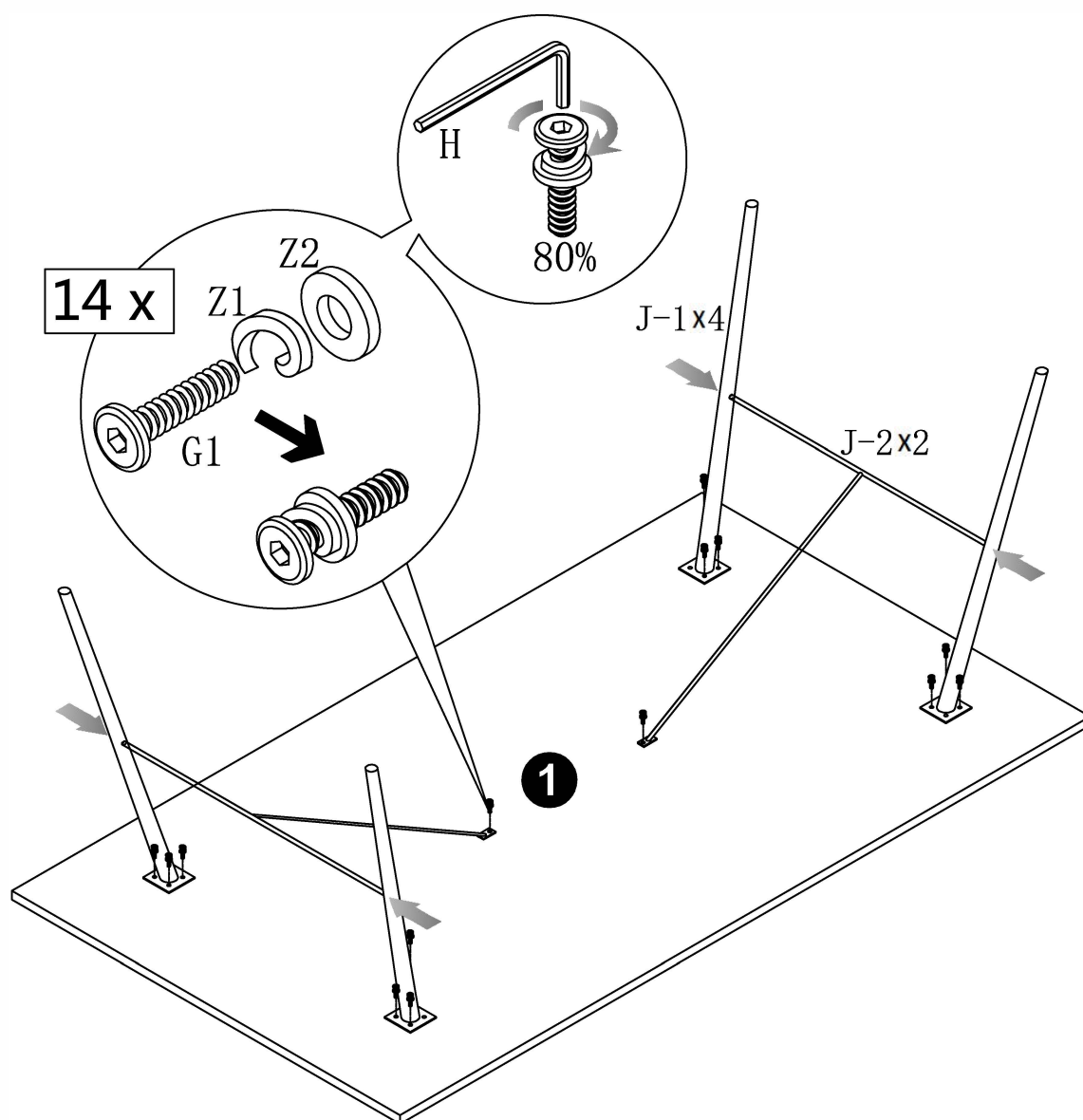


HARDWARE LIST

G1 x 14	G2 x 4	H x 1	Z1 x 14	Z2 x 14
				
M6*16	M6*45			

1

G1 x 14 M6*16	H x 1	Z1 x 14	Z2 x 14
------------------	-------	---------	---------



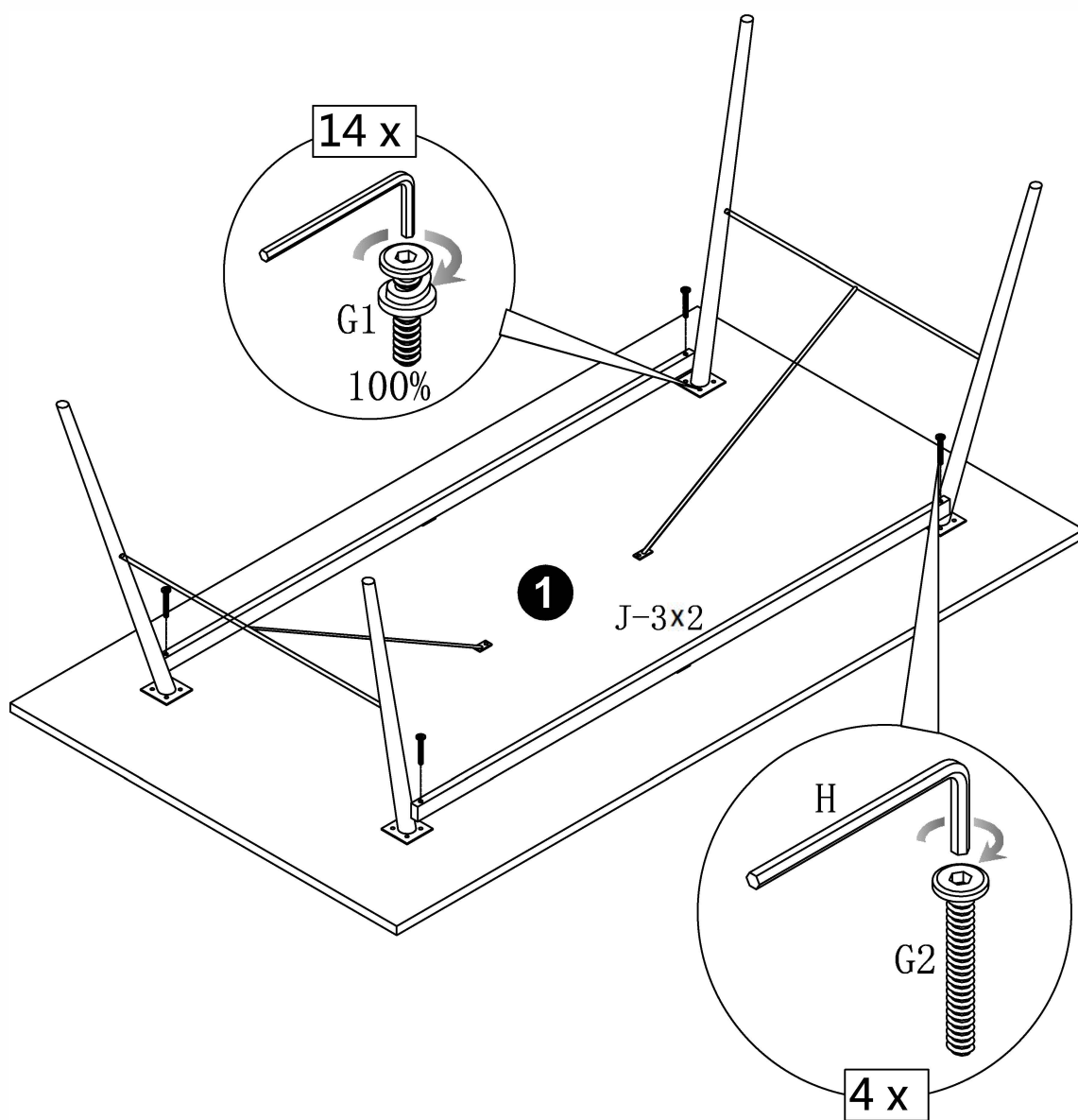
2

G2 x 4



M6*45

H x 1



3

