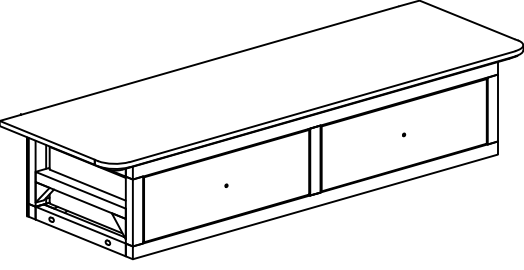
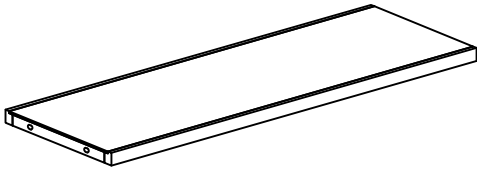
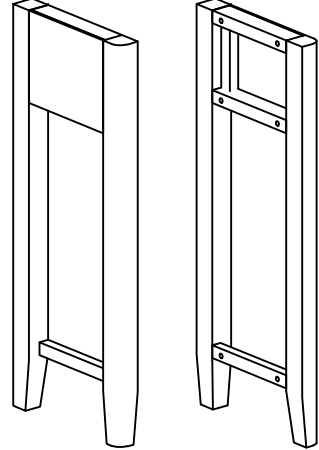
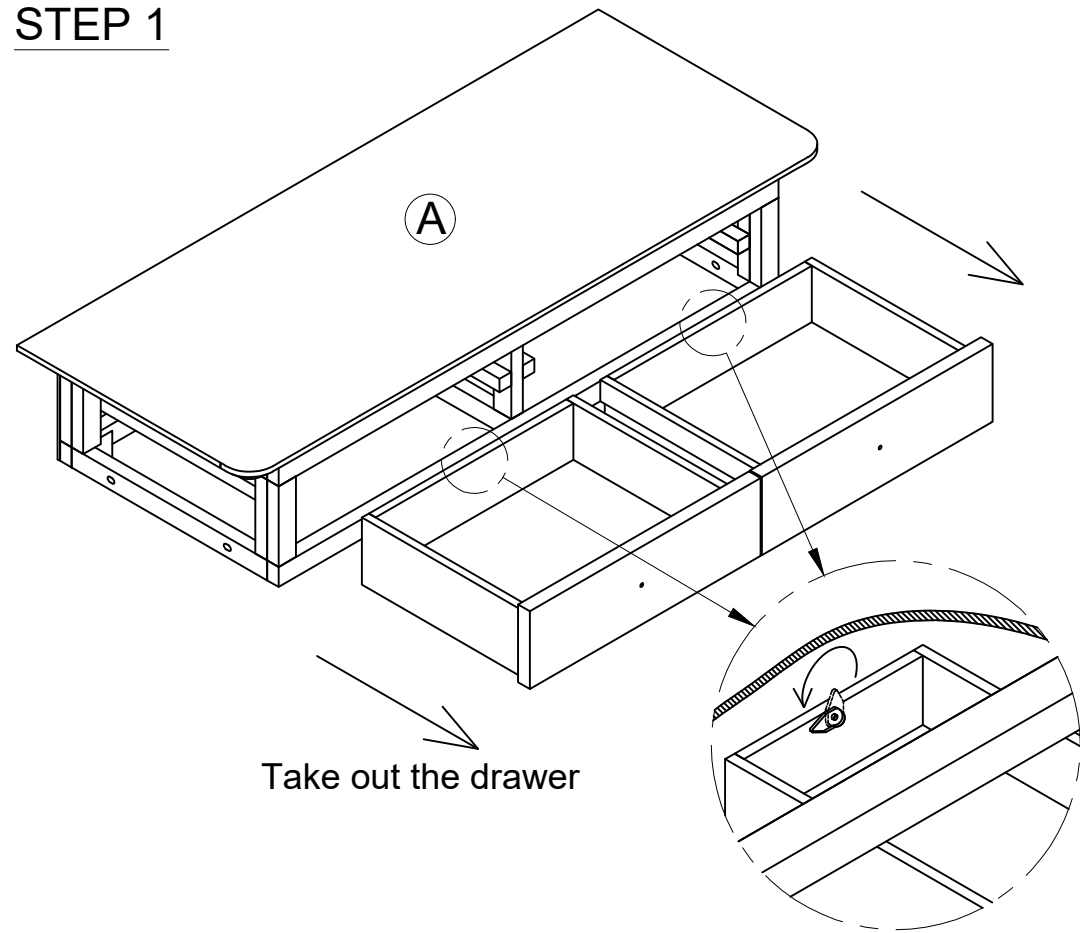


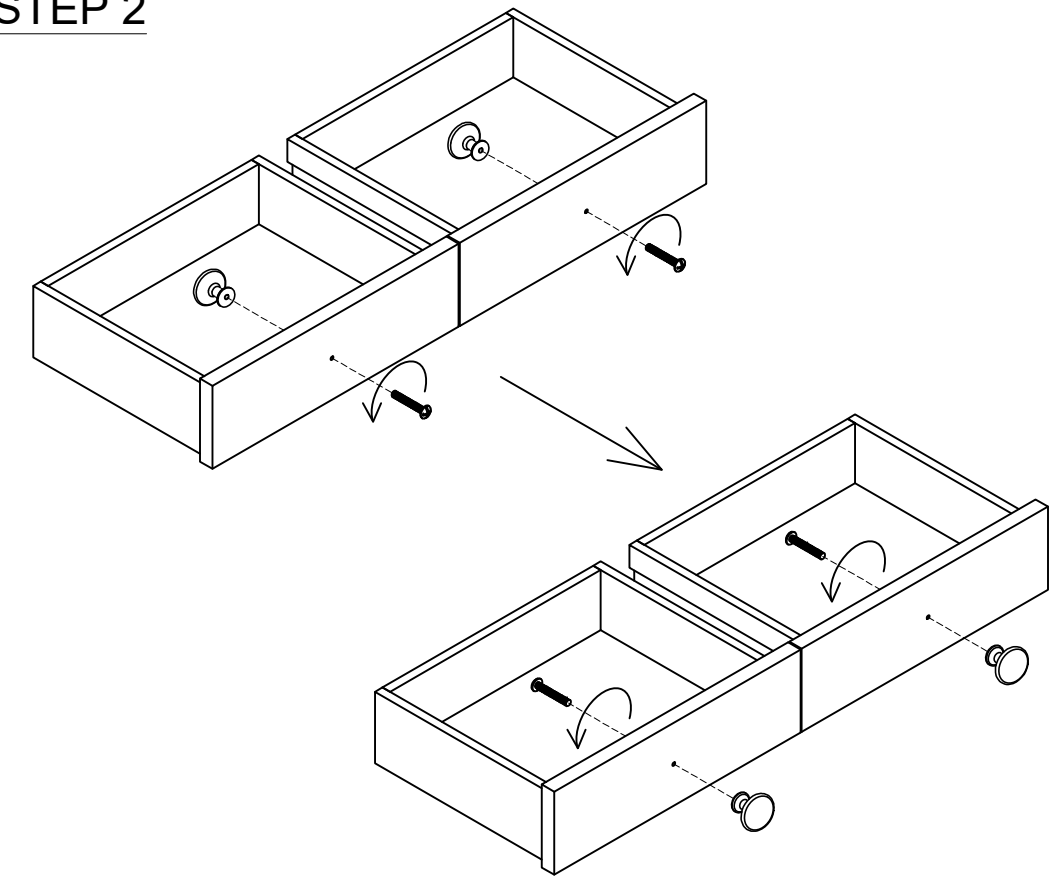
# ASSEMBLY INSTRUCTION G5751 - CONSOLE TABLE

No	Name of Component	Q.ty
<b>A</b>	 Top Frame:	1
<b>B</b>	 Shelf Frame	1
<b>C</b>	 Legs Frame: ( left -right)	2

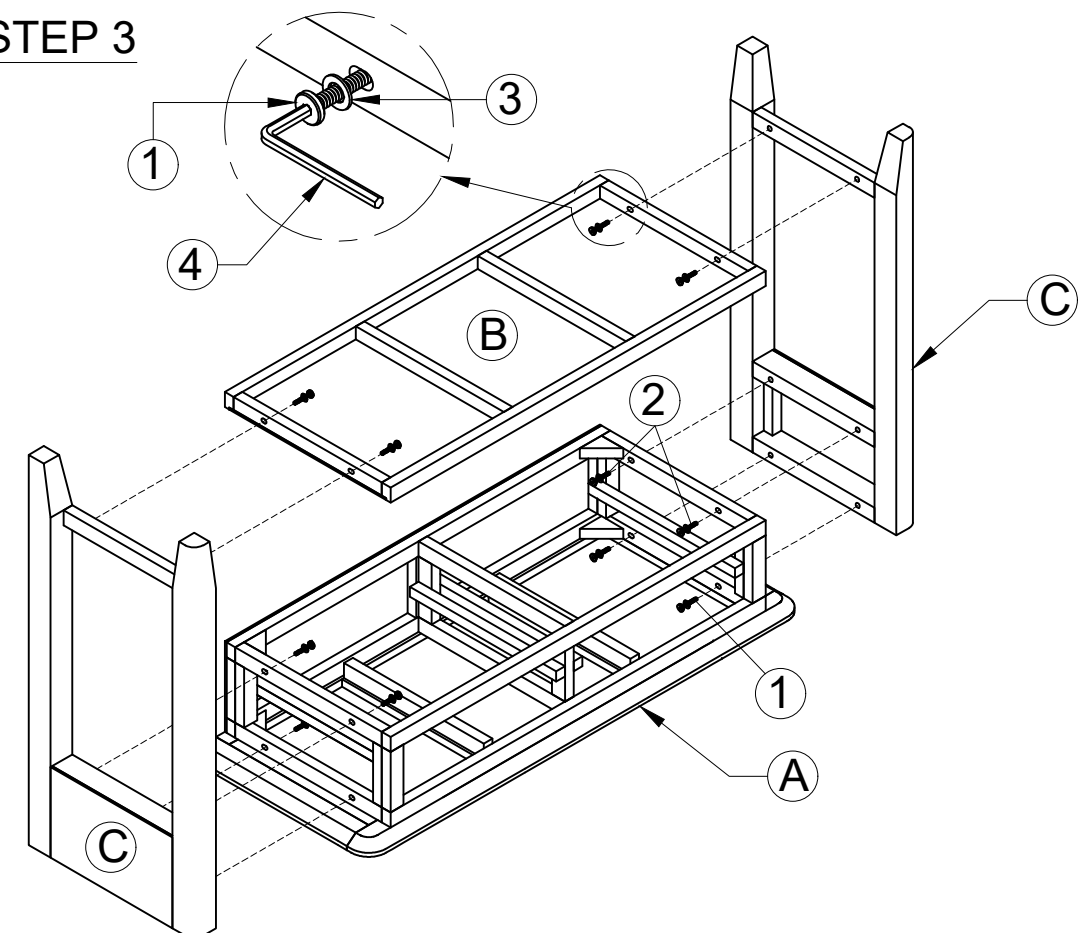
## STEP 1



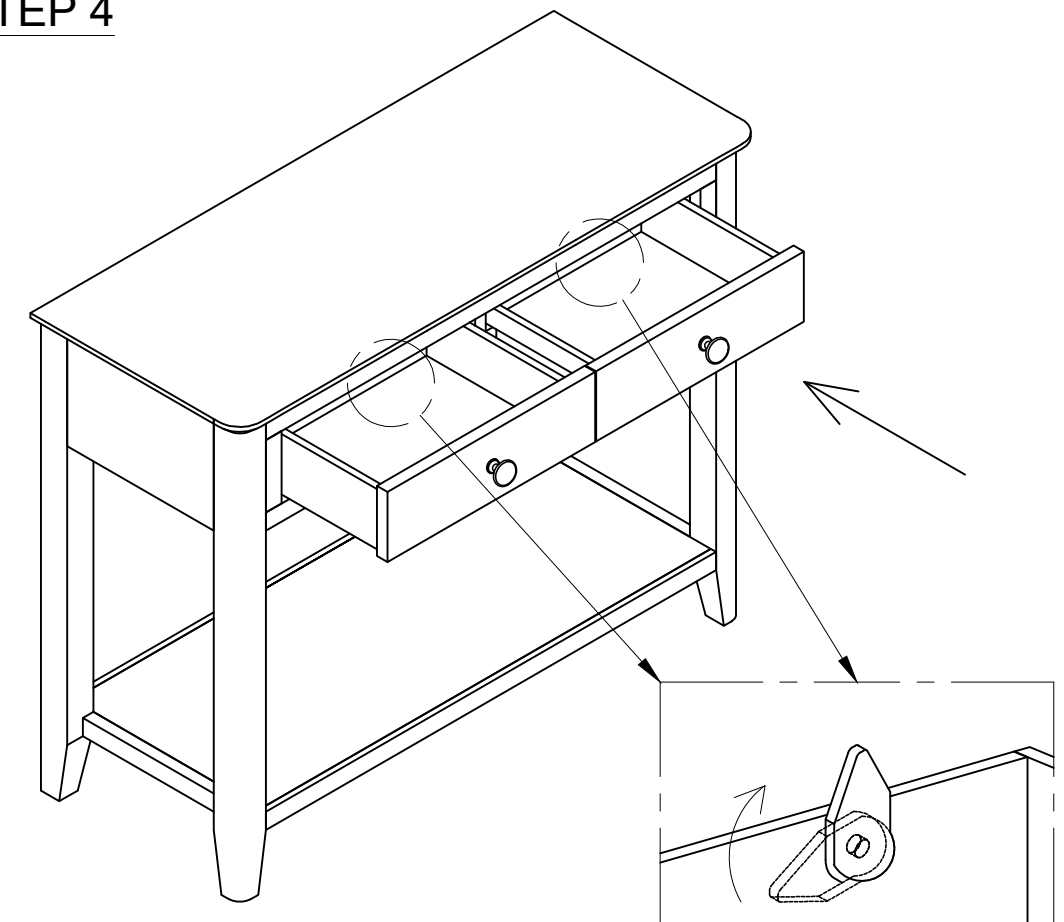
## STEP 2

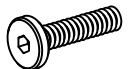
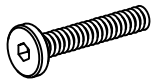
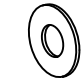
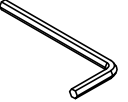





## STEP 3



## STEP 4



No	Name of Hardware	Q.ty
<b>1</b>	Bolt M6 x 40 	8
<b>2</b>	Bolt M6 x 55 	4
<b>3</b>	Washer Ø7/Ø15 x 1 	12
<b>4</b>	Allen key K4 	1
<b>5</b>	Bracket 	2
<b>6</b>	Tie 	1
<b>7</b>	Screw Ø4 x 20 	2

# ASSEMBLY INSTRUCTION G5751 - CONSOLE TABLE

STEP 5

FINAL

