



CARE OF YOUR KY409 BED

Do not discard any of the packaging until you have checked the product.




Outlined below are General Care Instructions that will help prolong the look and life of your bed by preventing wear and damage.

PLEASE NOTE: The Fabric on this product is Flame Retardant treated and therefore should be Specialist Upholstery cleaned only





CLEAN REGULARLY:

-  Remove dust by pre-brushing with a soft brush
-  Gently Vacuum all areas

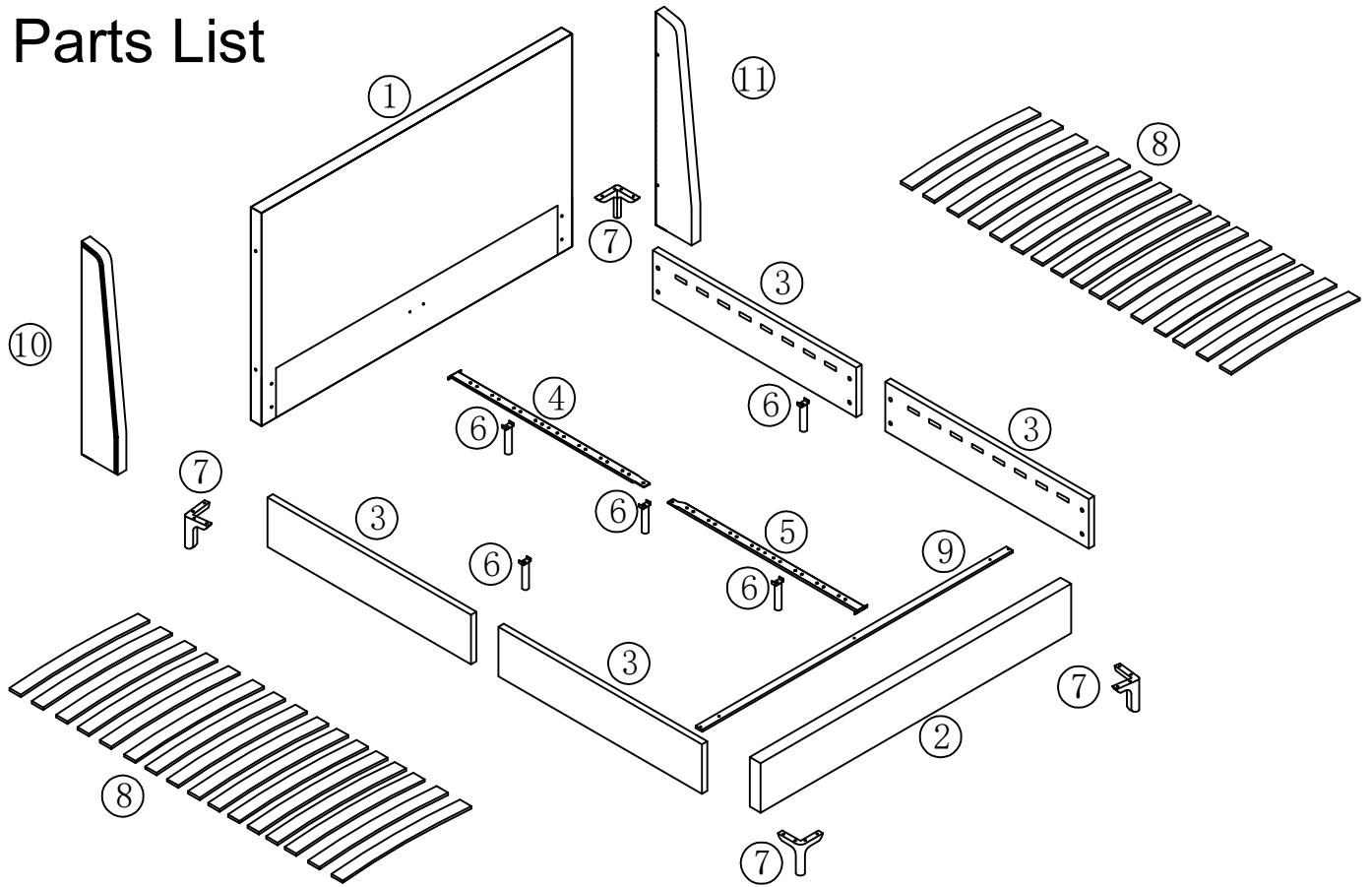
SUNLIGHT AND HEAT

-  Direct sunlight or heat can cause fabrics to deteriorate or fade. Protect them by situating your furniture out of the way of prolonged direct sunlight or by drawing curtains and blinds when applicable.
-  Avoid placing furniture too close to fires or radiators.
-  Reduce potential damage by moving items around or changing position so that the same piece or area is not always exposed.

SAFETY WARNINGS

-  Never allow children to jump on the bed.
-  Do not allow domestic pets to climb on the bed chew or claw it; oils and greases from animals will cause deterioration in the appearance of the fabric.
-  Sharp objects such as buckles, toys and jewellery can easily snag on the fabric and produce tears and pulls the fabric.
-  Hot objects such as the heat from cups and mugs can permanently disfigure upholstery.

Parts List





Hardware List

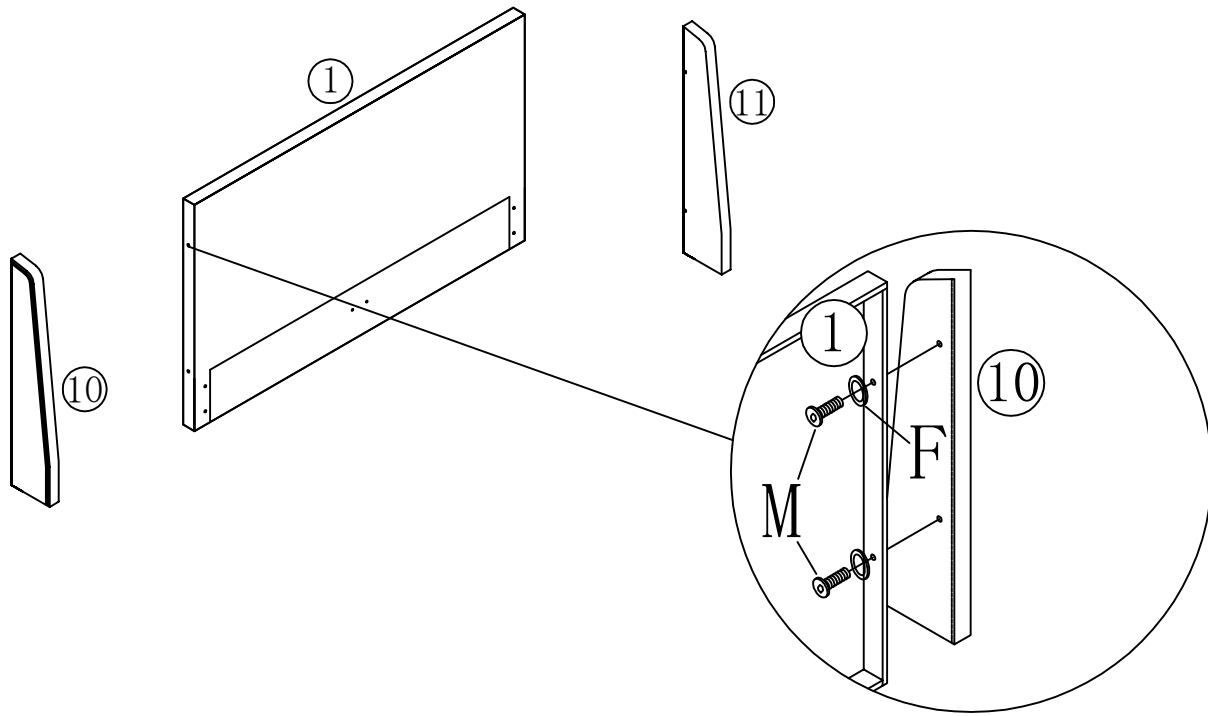
Label	Picture	Description	Qty	Label	Picture	Description	Qty
A		Double Plastic Cap	16	H		Bolt M6x35	1
B		L Bracket Plate	2	I		Bolt M6x25	6
C		Connection	2	J		Bolt M6x20	20
D		Bolt M8x25	8	K		Screw 4x45mm	16
E		Spring Washer	8	L		Connection Plate Left	2
F		Washer M8	16	R		Connection Plate Right	2
G		Nut M6	2	M		Bolt M8x45	4

Tool List

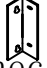
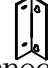



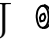


Label	Picture	Description	Qty
T-1		Screw driver (not provided)	1
T-2		Allen key M5	1
T-3		Allen key M4	1
T-4		Spanner	1

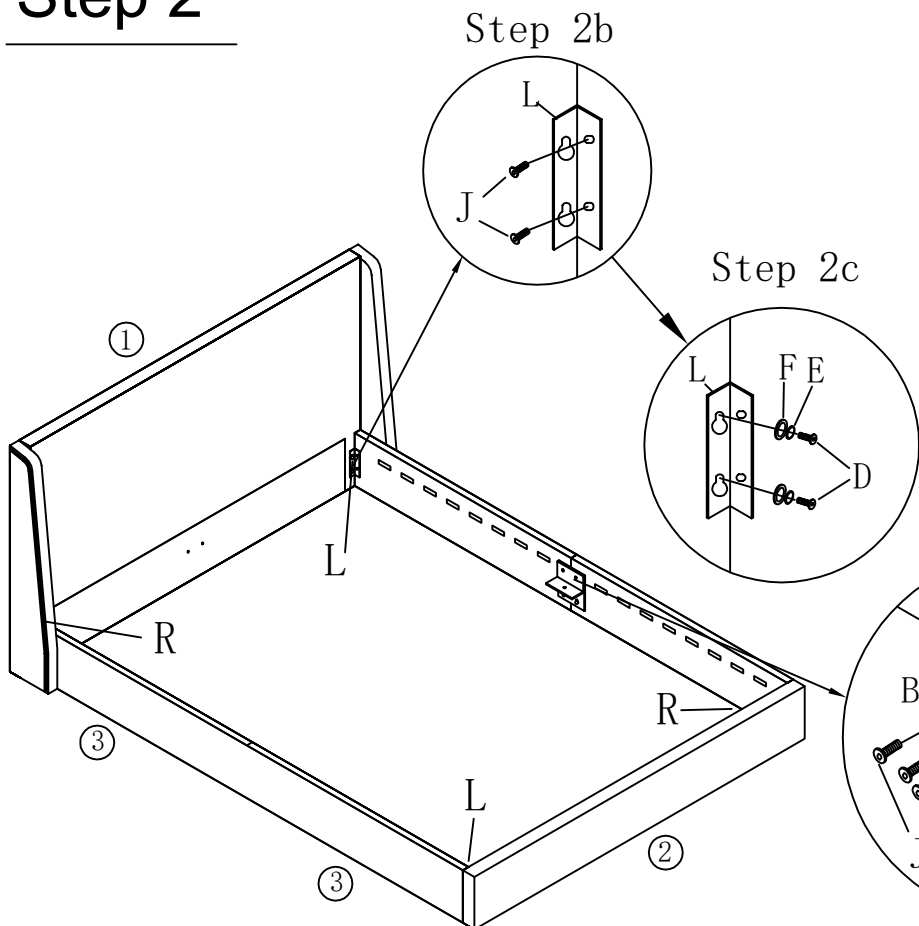
Step 1

M  4pcs	F  4pcs
Bolt M8x45mm	Washer M8



Step 2

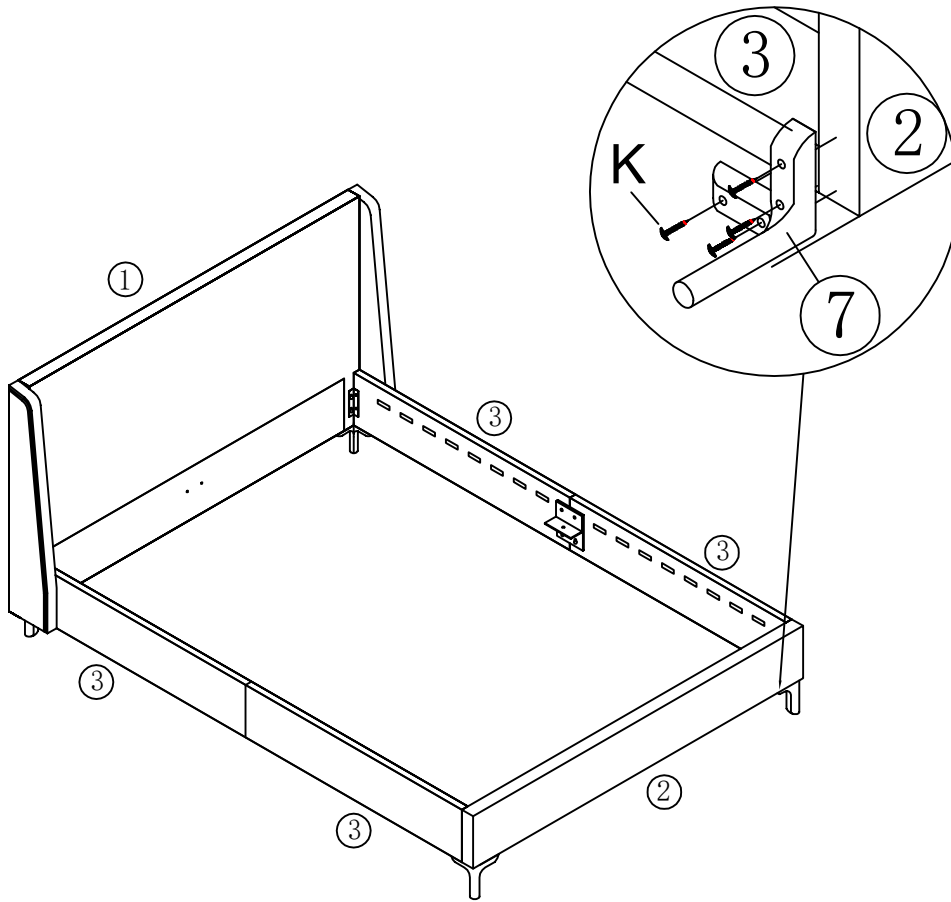
L  2pcs	R  2pcs
Connection Plate Left	Connection Plate Right
D  8pcs	E  8pcs
Bolt M8x25	Spring Washer
F  12pcs	J  16pcs
Washer M8	Bolt M6x20
C  2pcs	B  2pcs
Connection L Bracket Plate	L Bracket Plate




Step 3


K  16pcs


Screw 4x45mm




Step 4

H  1pcs
Bolt M6x35

G  2pcs
Nut M6

I  6pcs
Bolt M6x25

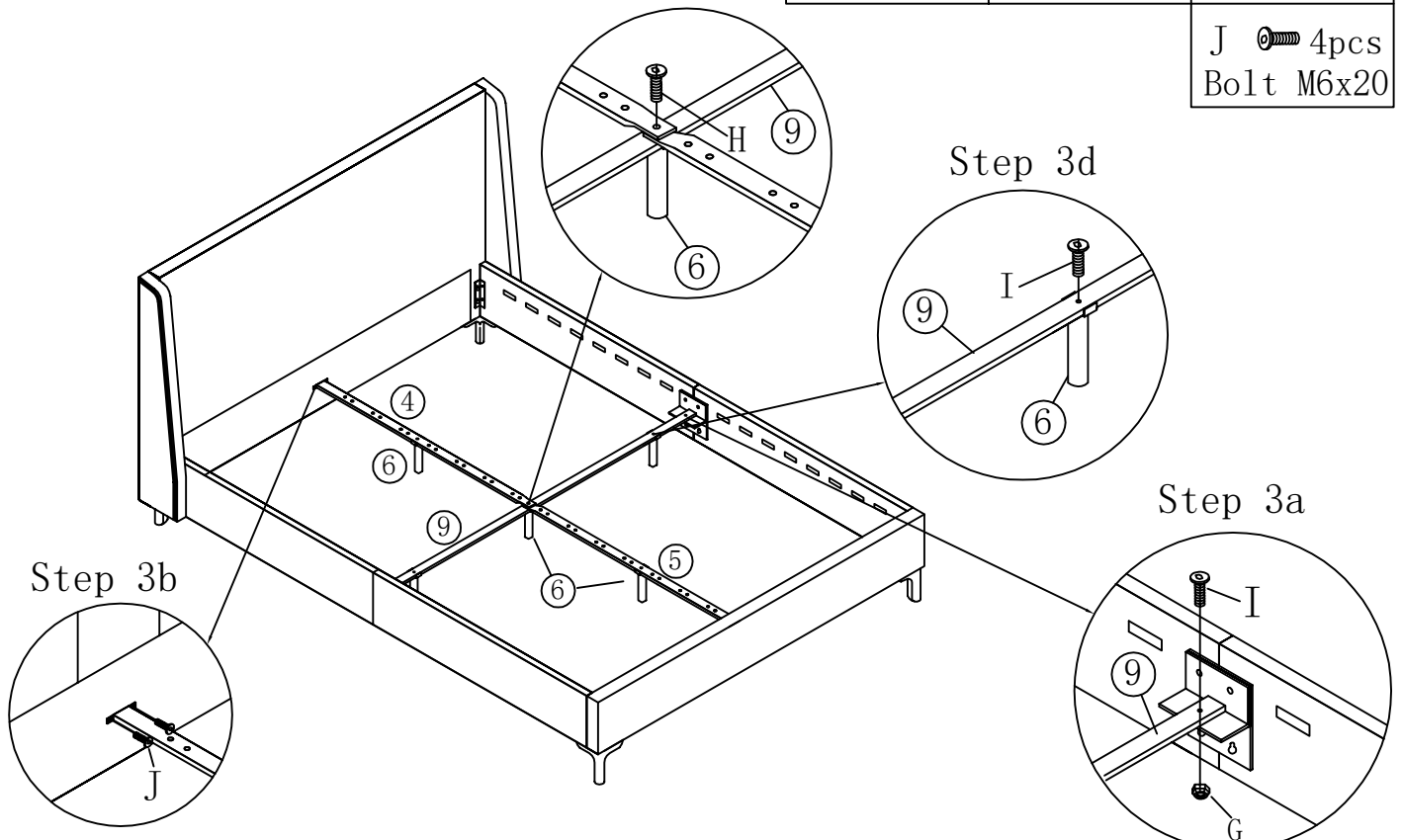
J  4pcs
Bolt M6x20

Step 3c


Step 3d

Step 3a

Step 3b



Step 5

A  16pcs
Double
Plastic Cap

