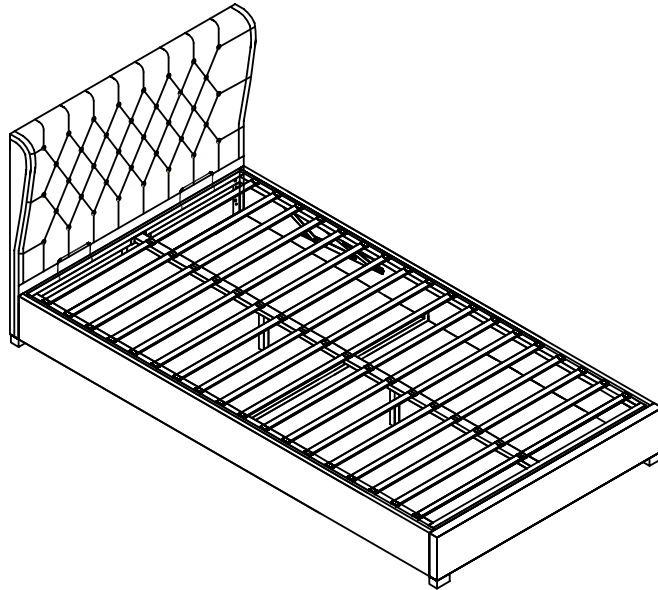


CARE OF YOUR KY024 OTTOMAN (5')

Do not discard any of the packaging until you have checked the product.



PLEASE NOTE: The Fabric on this product is Flame Retardant treated and therefore should be Specialist Upholstery cleaned only.

CLEAN REGULARLY:

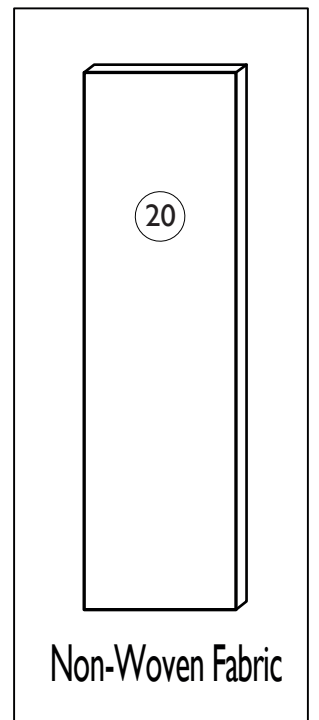
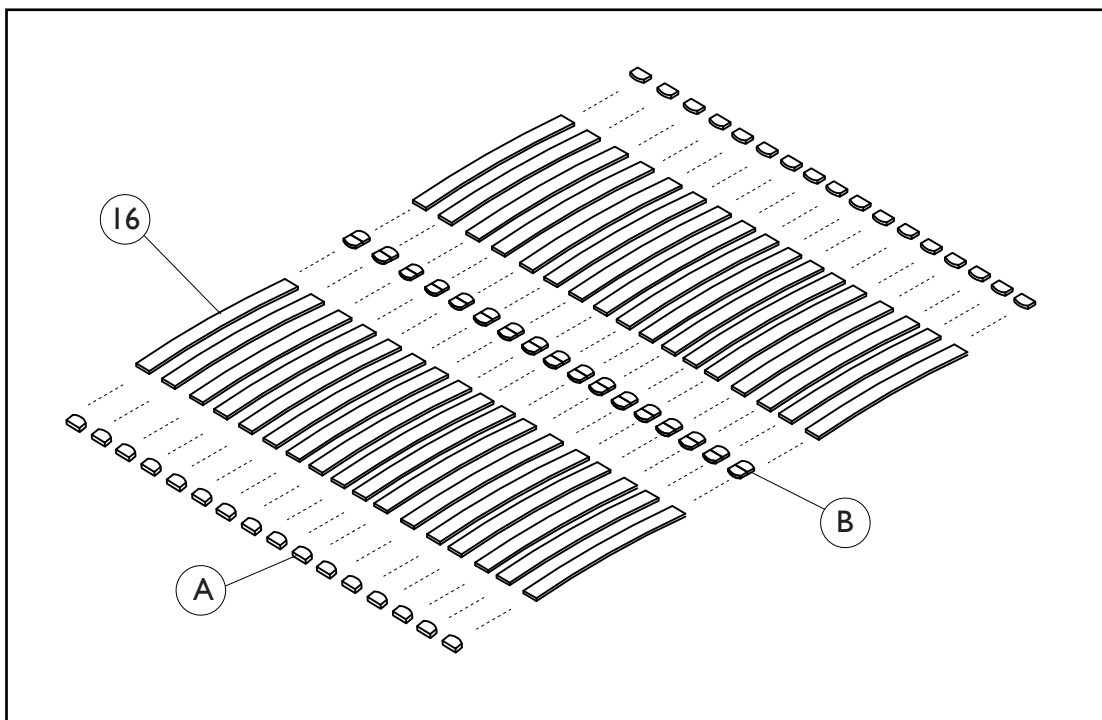
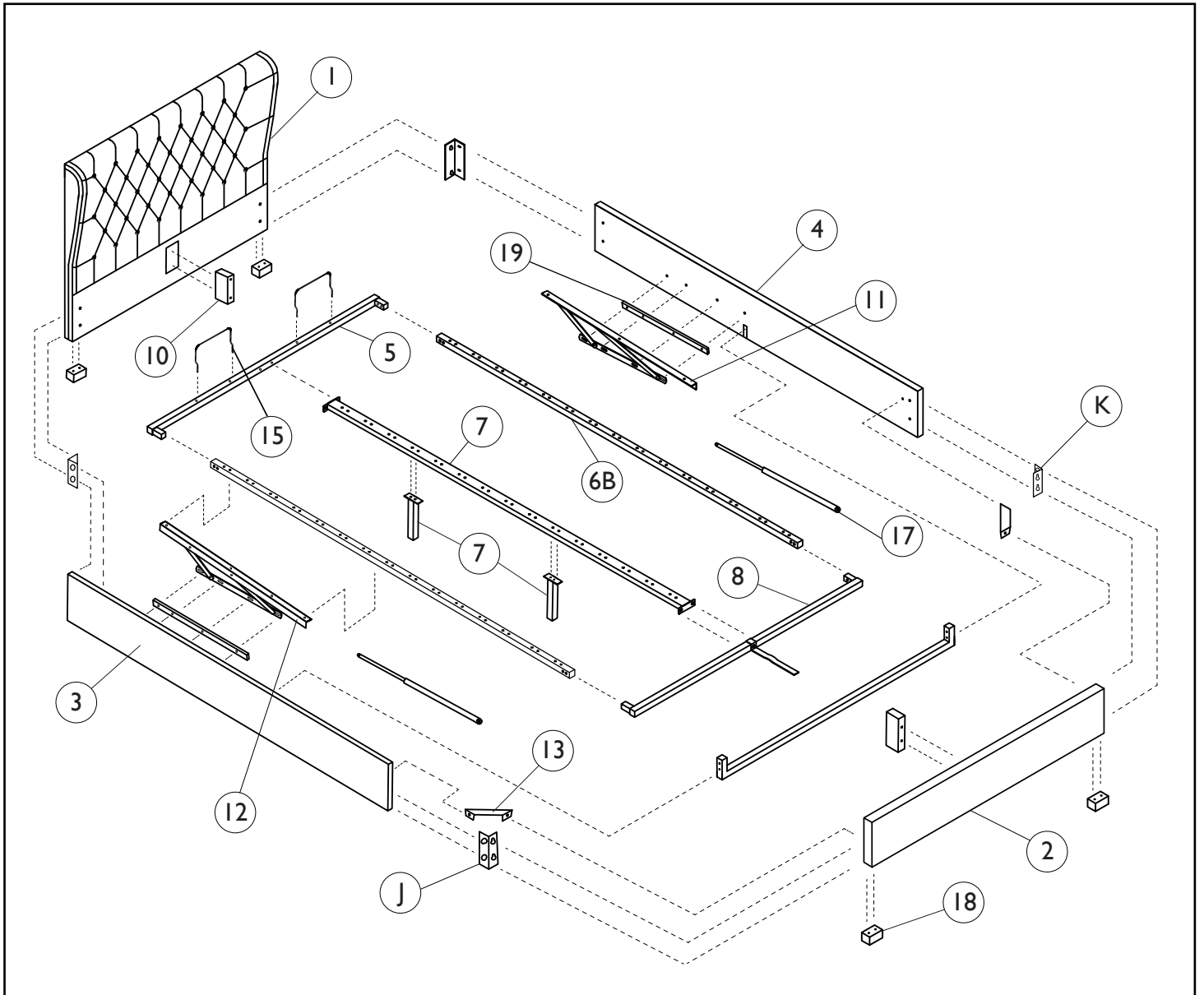
- Remove dust by pre-brushing with a soft brush.
- Gently vacuum all areas.

SUNLIGHT AND HEAT:









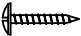
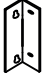

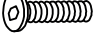
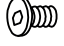
- Direct sunlight or heat can cause fabrics to deteriorate or fade. Protect them by situating your furniture out of the way of prolonged direct sunlight or by drawing curtains and blinds when applicable.
- Reduce potential damage by moving items around or changing position so that the same piece or area is not always exposed.
- Avoid placing furniture too close to fires or radiators.

SAFETY WARNINGS:

- ENTRAPMENT WARNING: KEEP HANDS CLEAR WHEN USING THE OTTOMAN TO AVOID FINGER ENTRAPMENT. DO NOT ALLOW CHILDREN TO USE THE OTTOMAN.
- Do not allow domestic pets to climb on the bed, chew or claw it; oils and greases from animals will cause deterioration in the appearance of the fabric.
- Sharp objects such as buckles, toys and jewellery can easily snag on the fabric and produce tears and pulls on the fabric.
- Hot objects such as the heat from cups and mugs can permanently disfigure upholstery.
- Never allow children to jump on the bed.



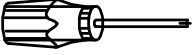
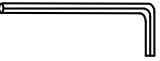
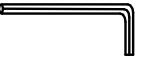
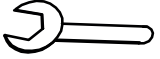
HARDWARE LIST

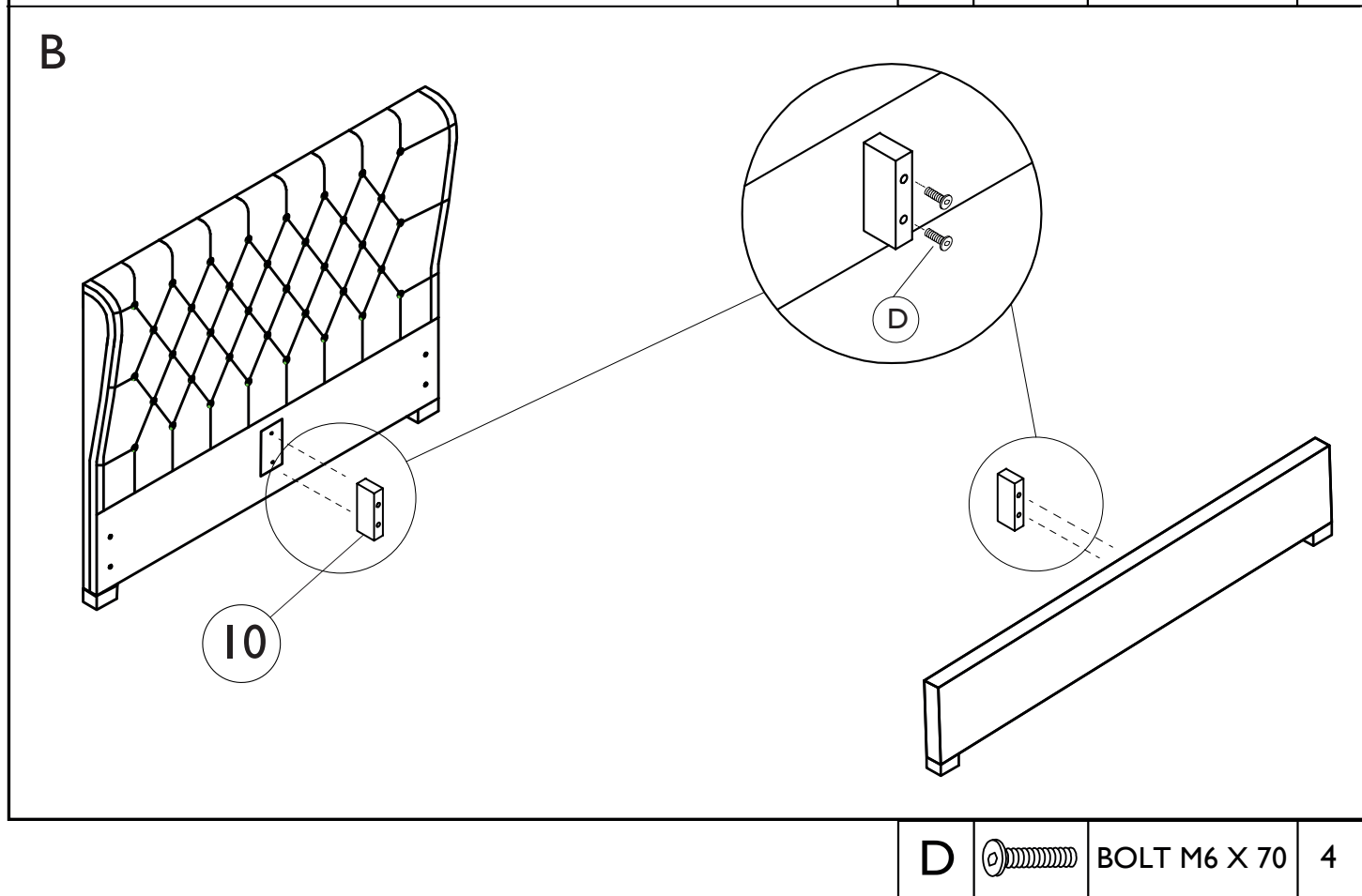
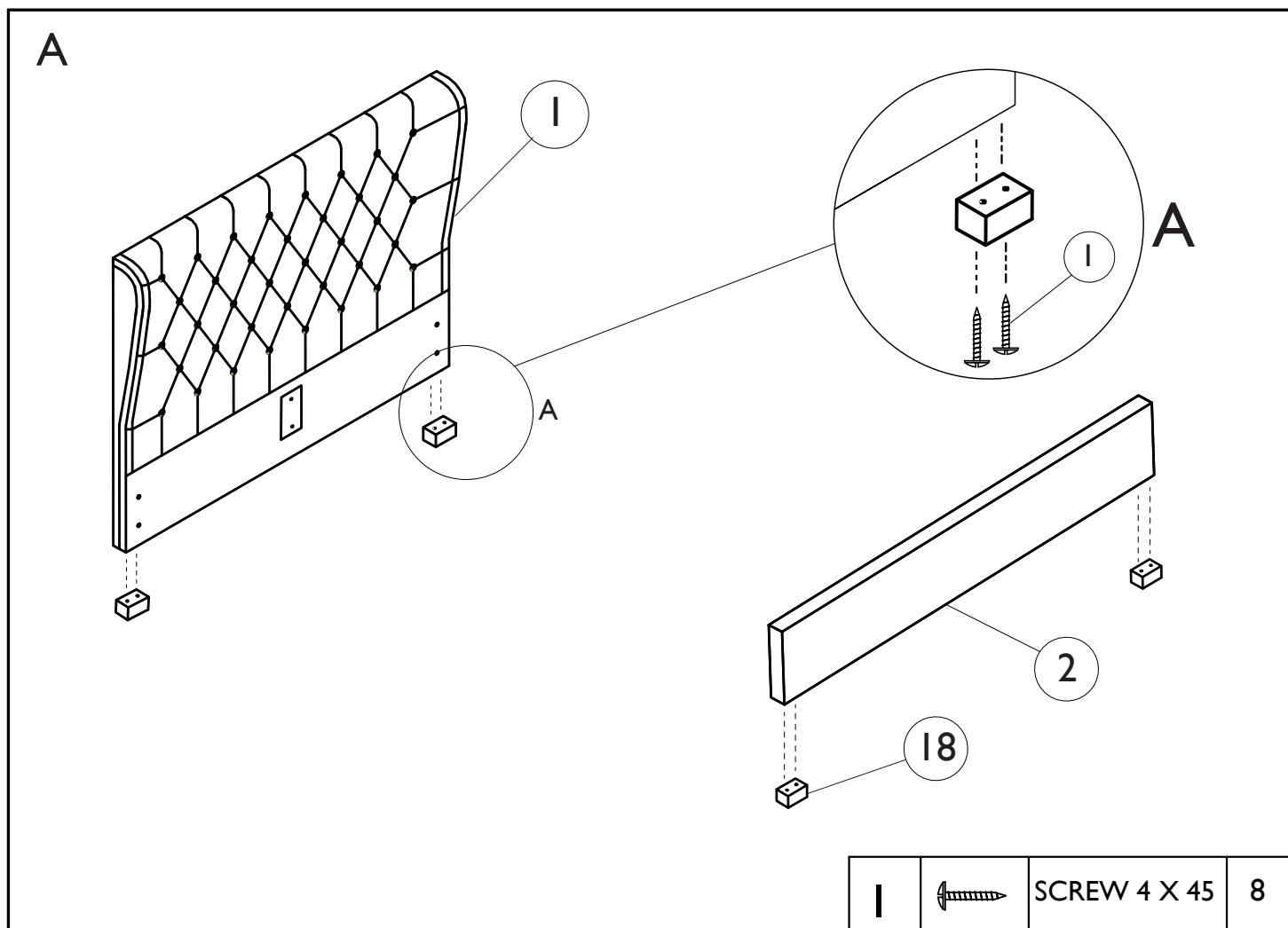
LABEL	PICTURE	DESCRIPTION	QTY
A		SINGLE PLASTIC CAP	34
B		DOUBLE PLASTIC CAP	17
C		BOLT M8 X 20	16
D		BOLT M6 X 70	4
E		WASHER M8	8
F		NUT	4
G		BOLT M6 X 35	4
H		BOLT M6 X 20	4
I		SCREW 4 X 45	8
J		CONNECTION PLATE LEFT	2
K		CONNECTION PLATE RIGHT	2
L		BOLT M8 X 35	8
M		BOLT M8 X 15	22

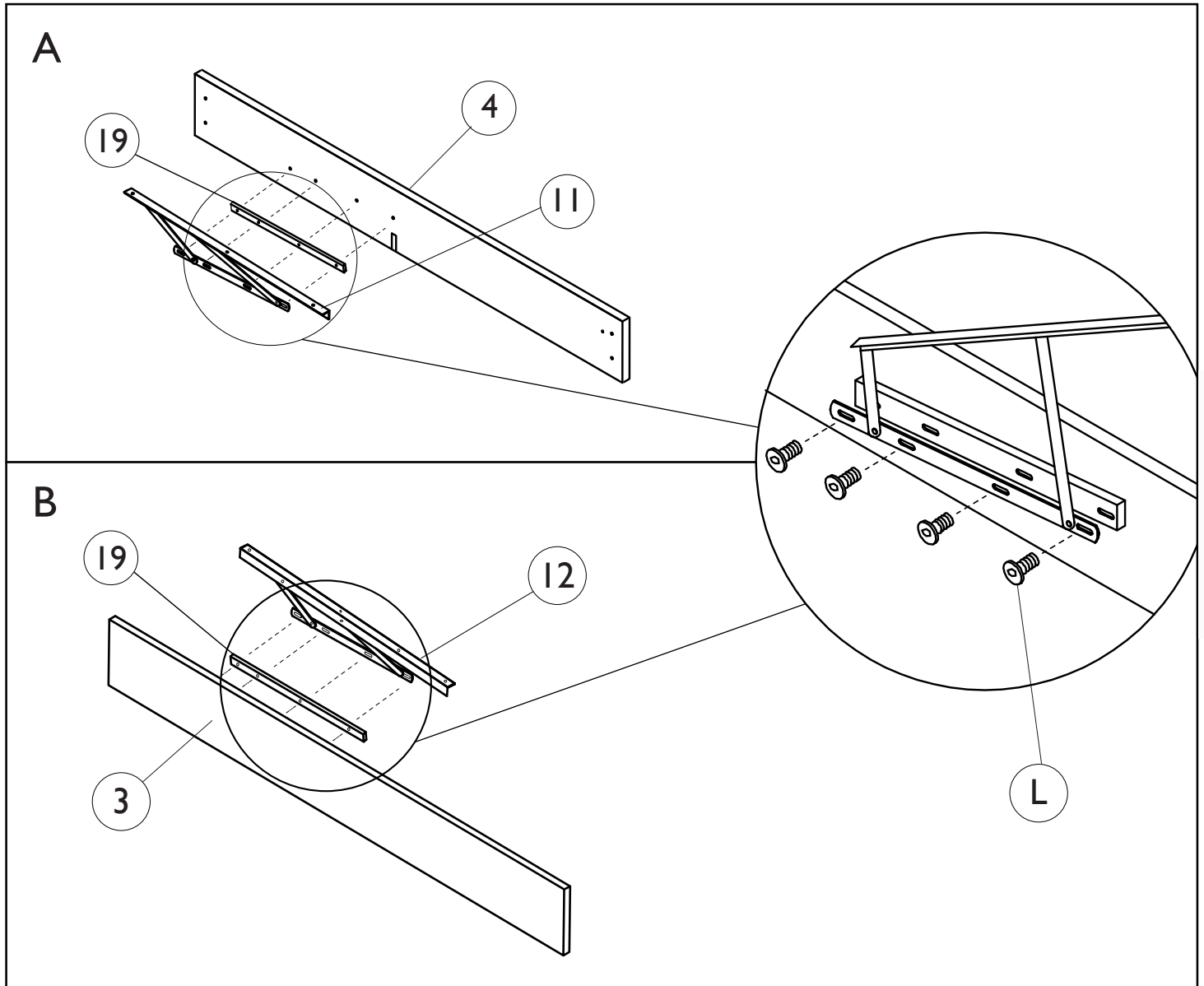
STARTING NOTES:

- All fasteners and screws are shipped in one bag. Take the time to organise the screws into piles for easier reference and assembly.
- Assembly only requires one person, however we would advise two for ease.
- This bed can be assembled with a screwdriver as the instructions show but a handheld drill is recommended.
- Follow assembly instructions carefully and detach hardware list if necessary for quick reference.

TOOL LIST

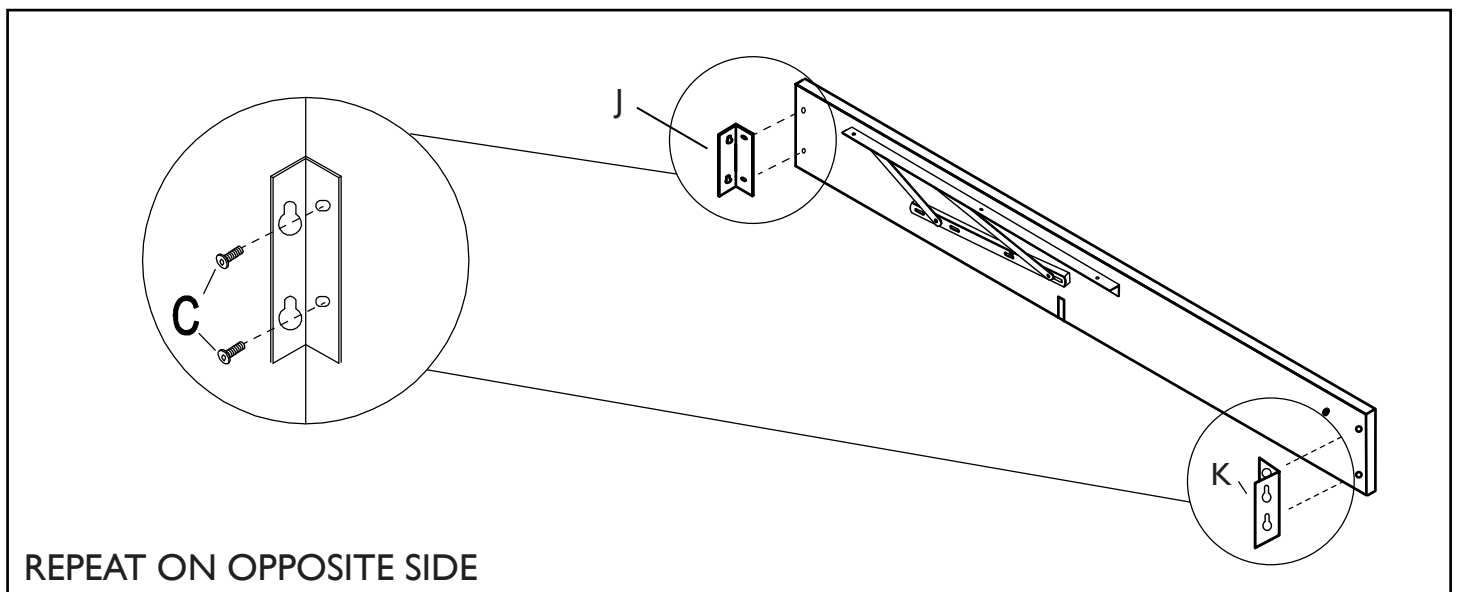
LABEL	PICTURE	DESCRIPTION	QTY
T - 1		SCREWDRIVER (NOT PROVIDED)	1
T - 2		ALLEN KEY M5	1
T - 3		ALLEN KEY M4	1
T - 4		SPANNER	1





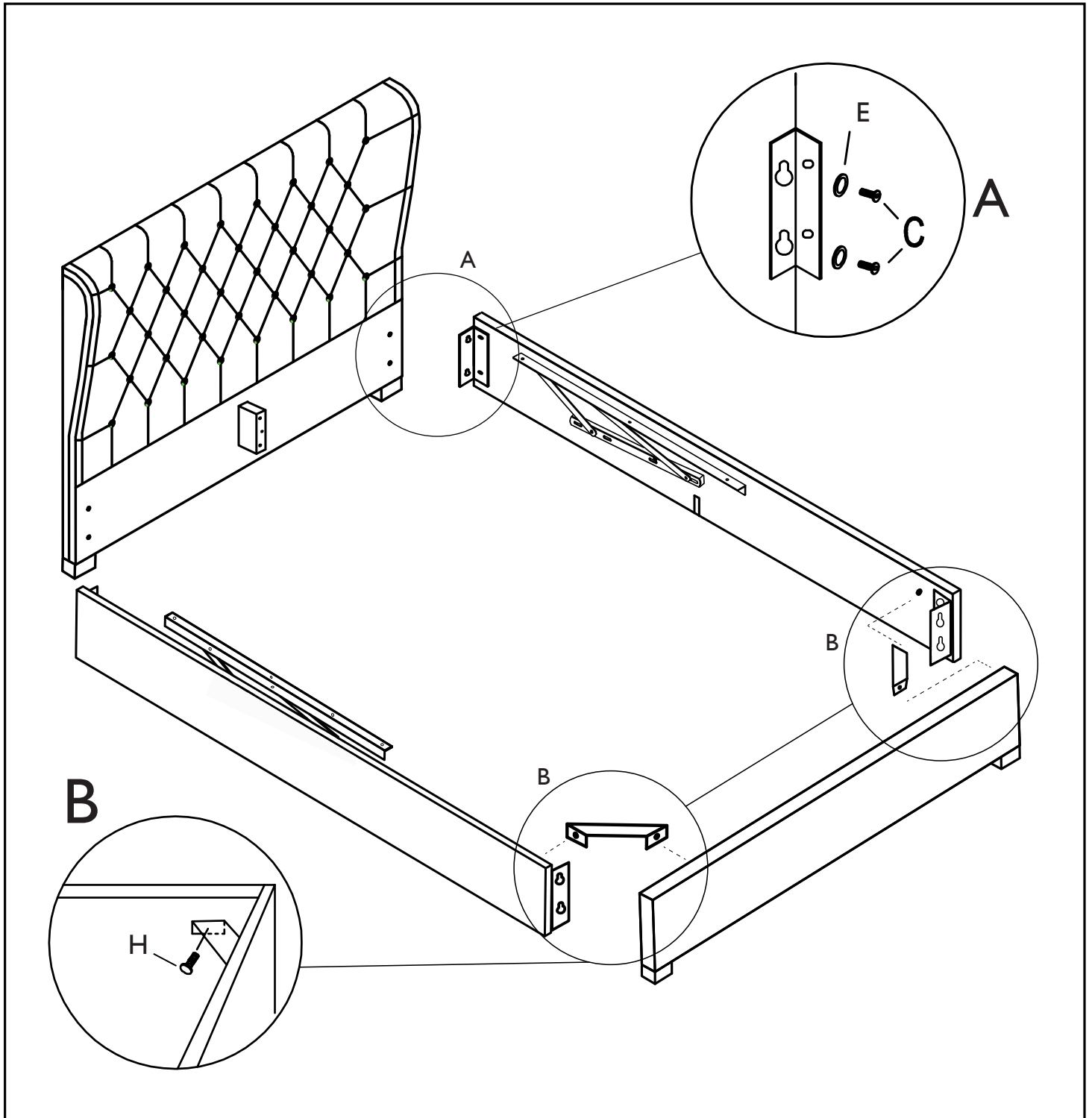
L		BOLT M8 X 35	8
---	---	--------------	---

STEP 3






REPEAT ON OPPOSITE SIDE

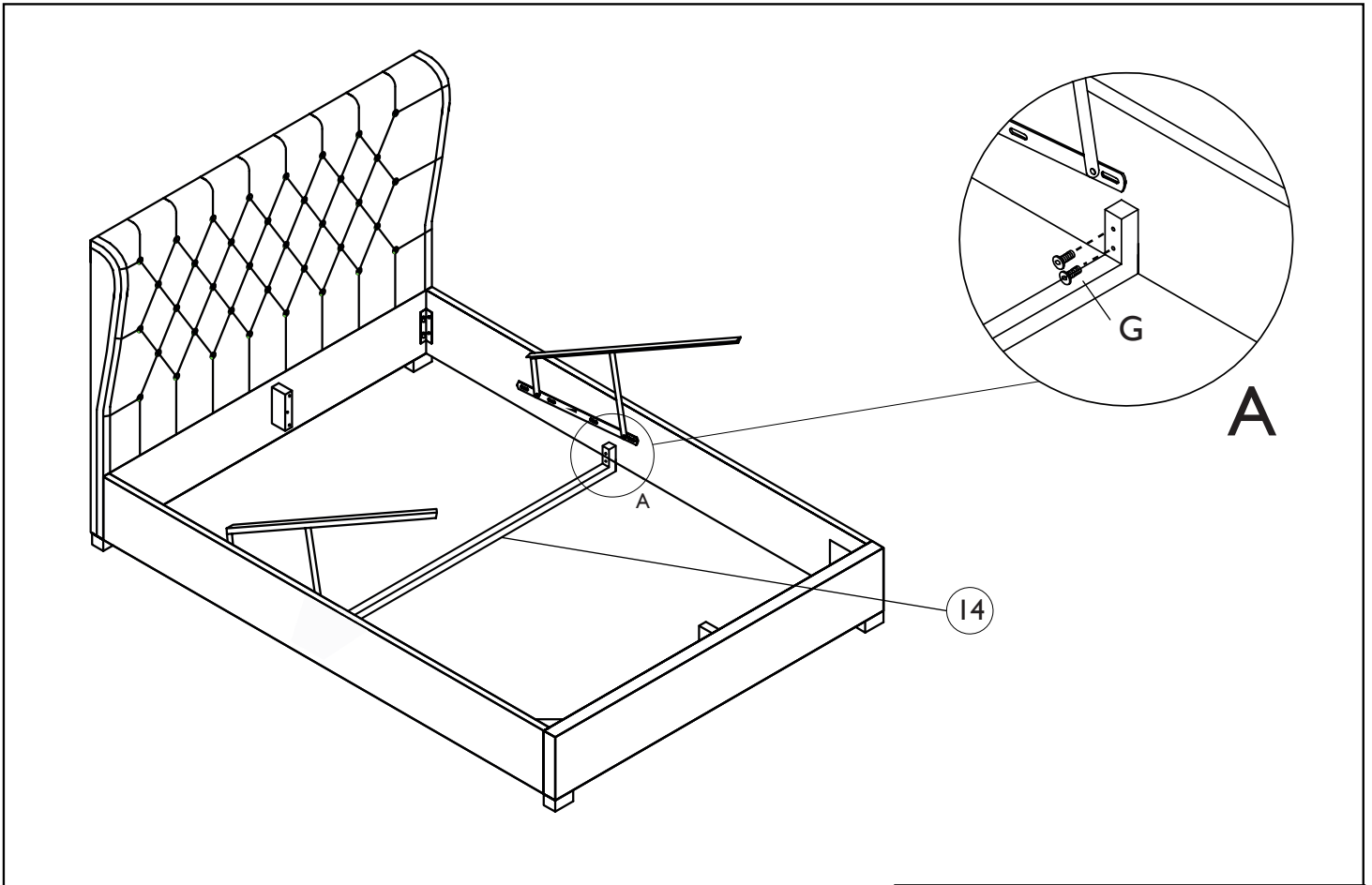
C		BOLT M8 X 20	16
---	---	--------------	----



HELPFUL NOTES:

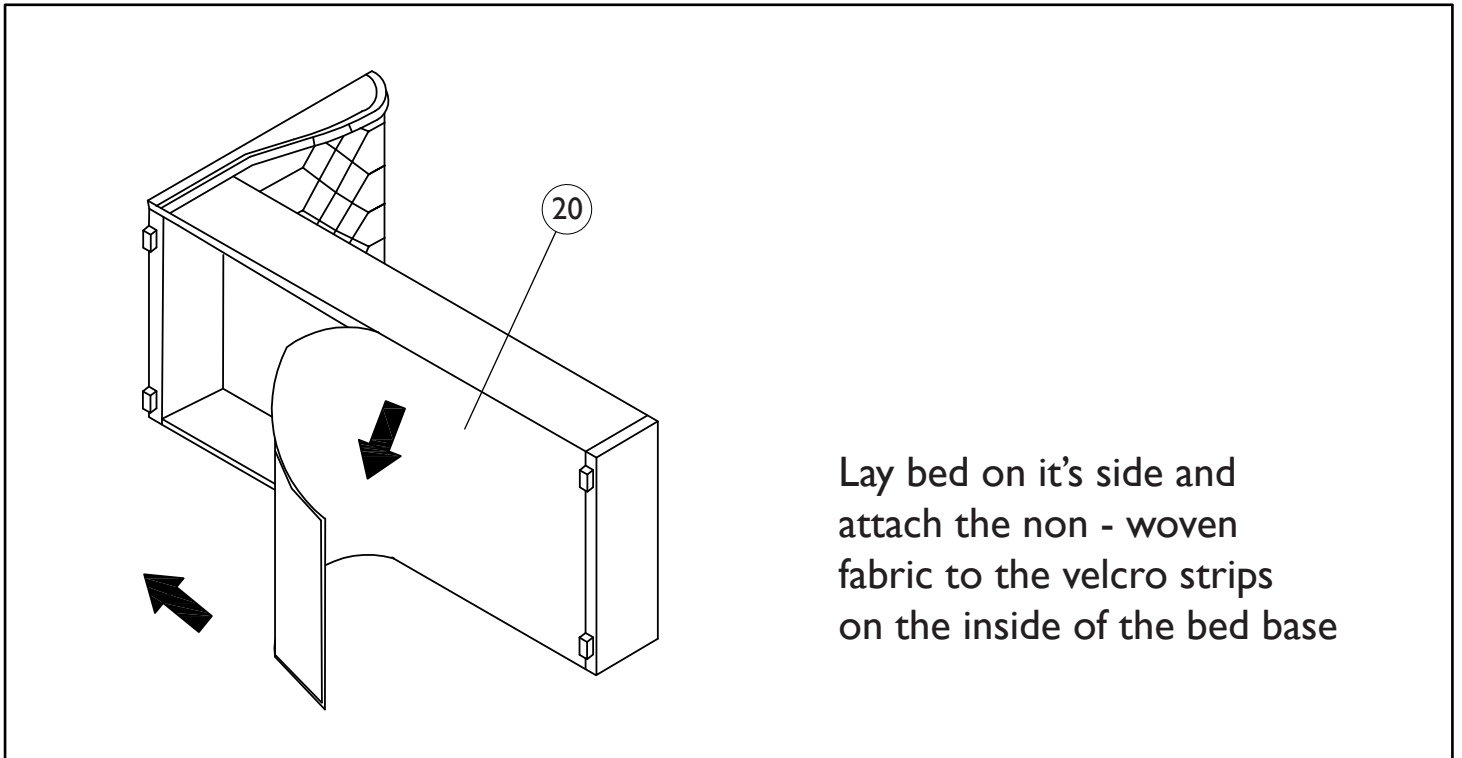
- Screw the bolts into the headboard without the washers and hook the side panels onto the headboard. This will make it easier to hold everything in place while tightening.

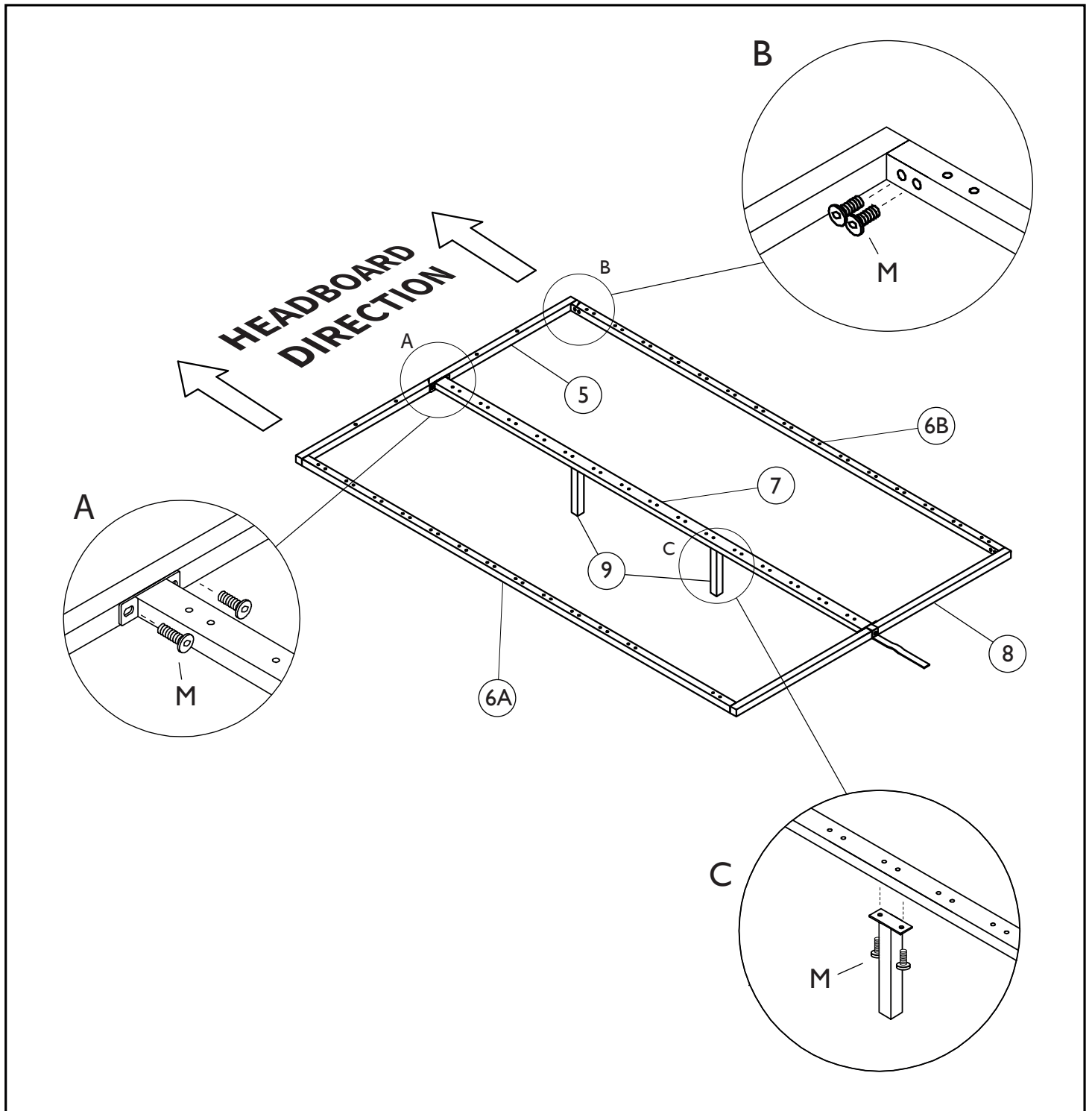
C		BOLT M8 X 20	16
E		WASHER M8	8
H		BOLT M6 X 20	4



G		BOLT M6 X 35	4
----------	---	--------------	---

STEP 6

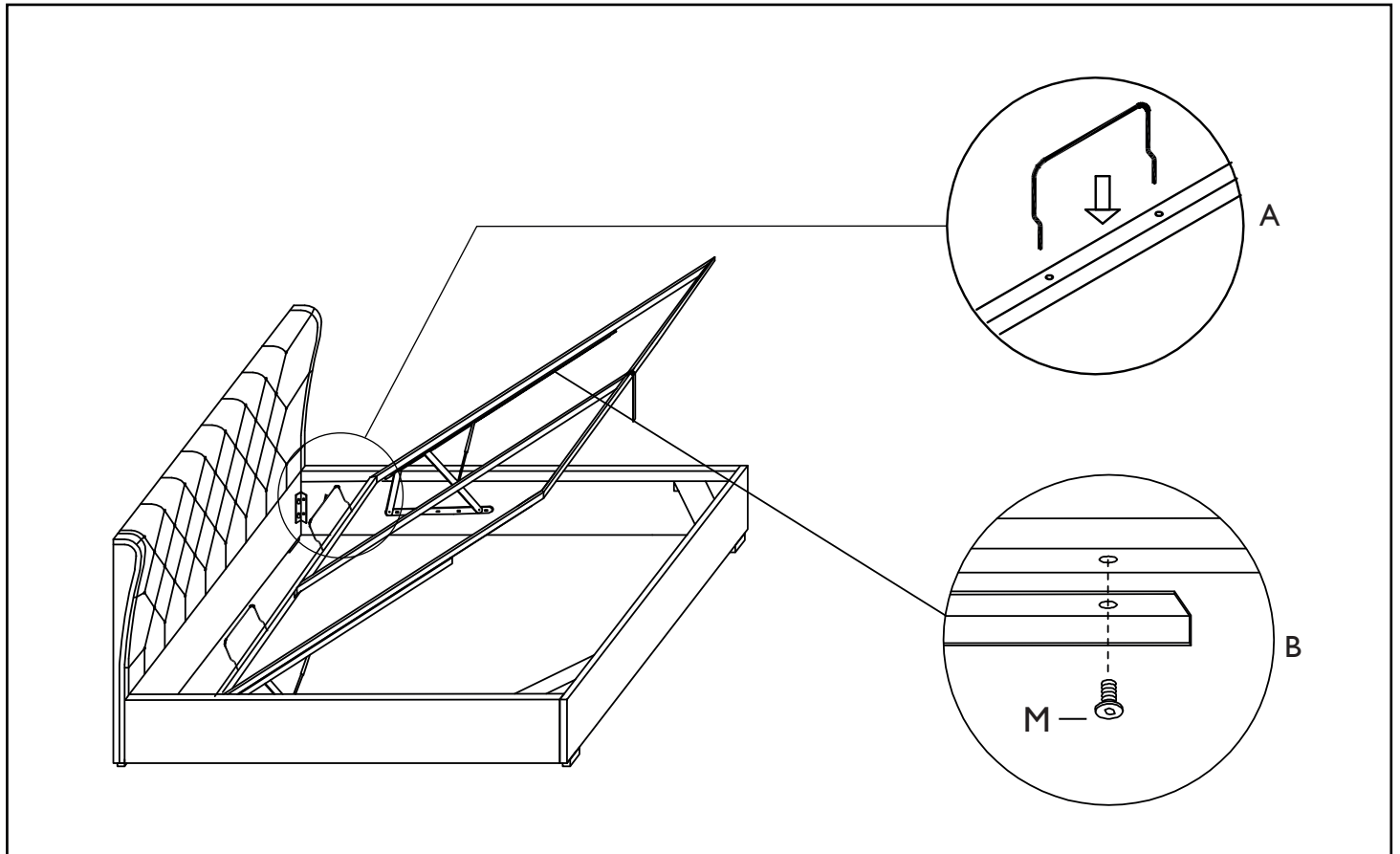




HELPFUL NOTES:

- There are holes marked on the bottom of the rails for the support legs.

M		BOLT M8 X 15	22
---	---	--------------	----



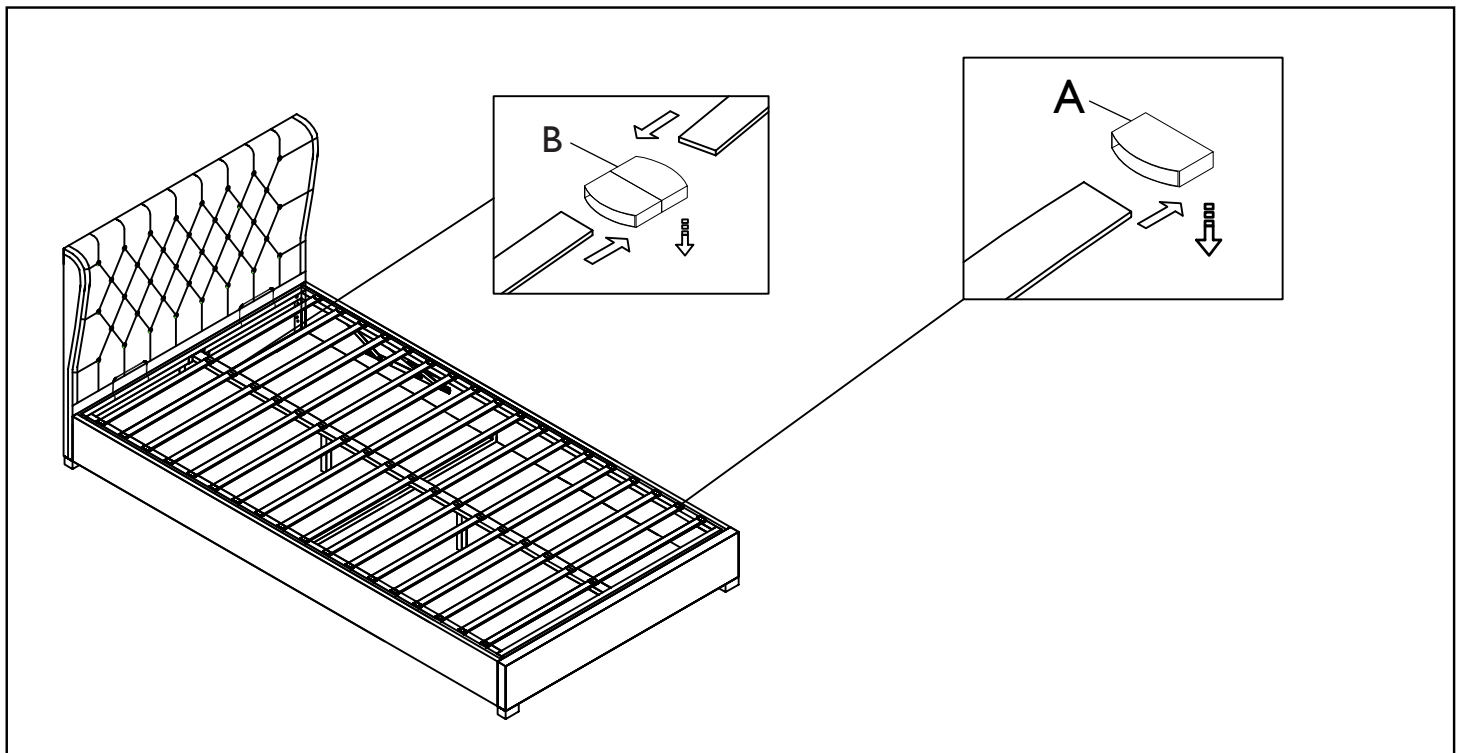
HELPFUL NOTES:

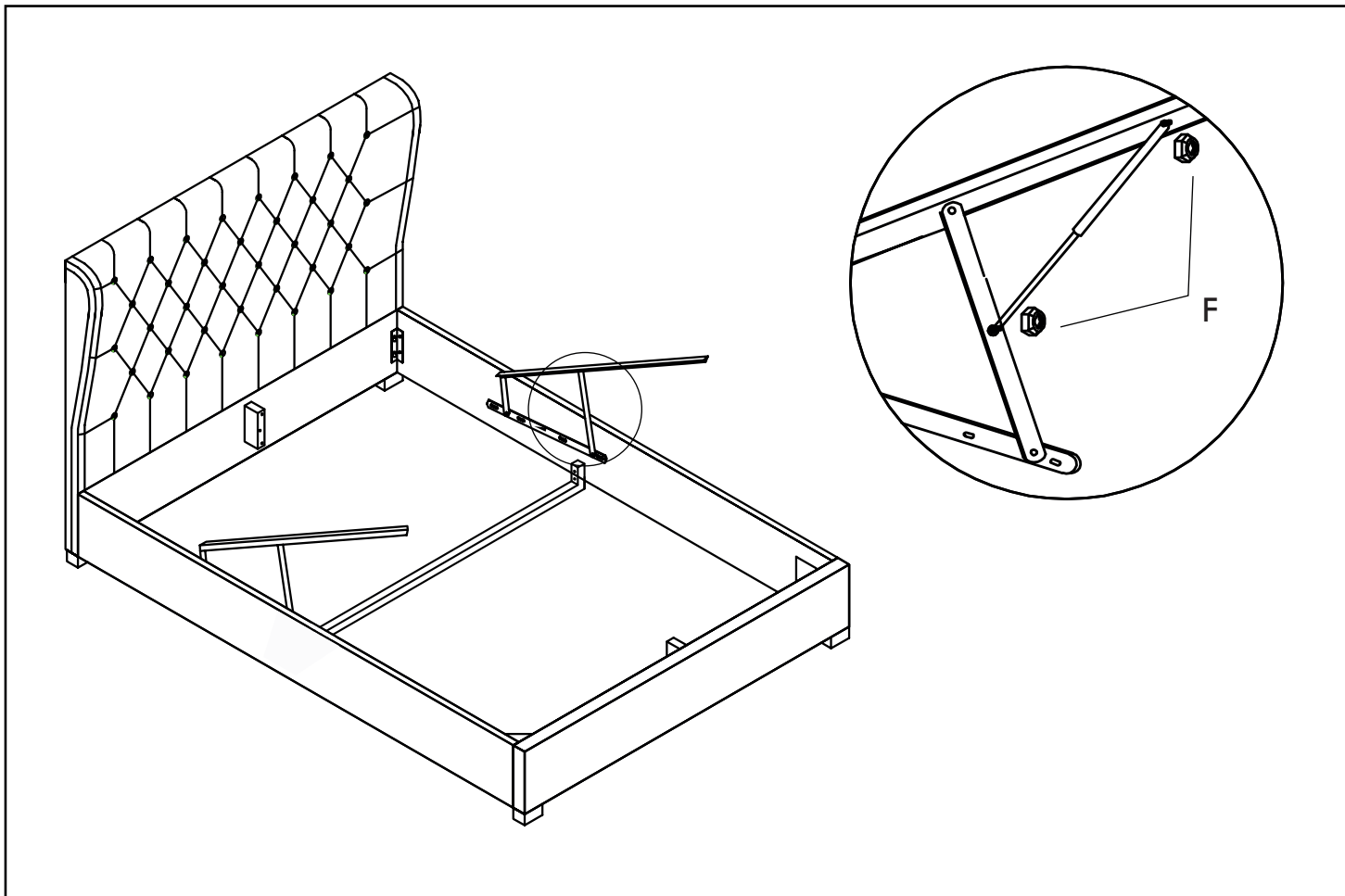
- Screw in ALL 6 bolts loosely before tightening for accurate alignment.

M  6pcs

Bolt M8x15

STEP 9

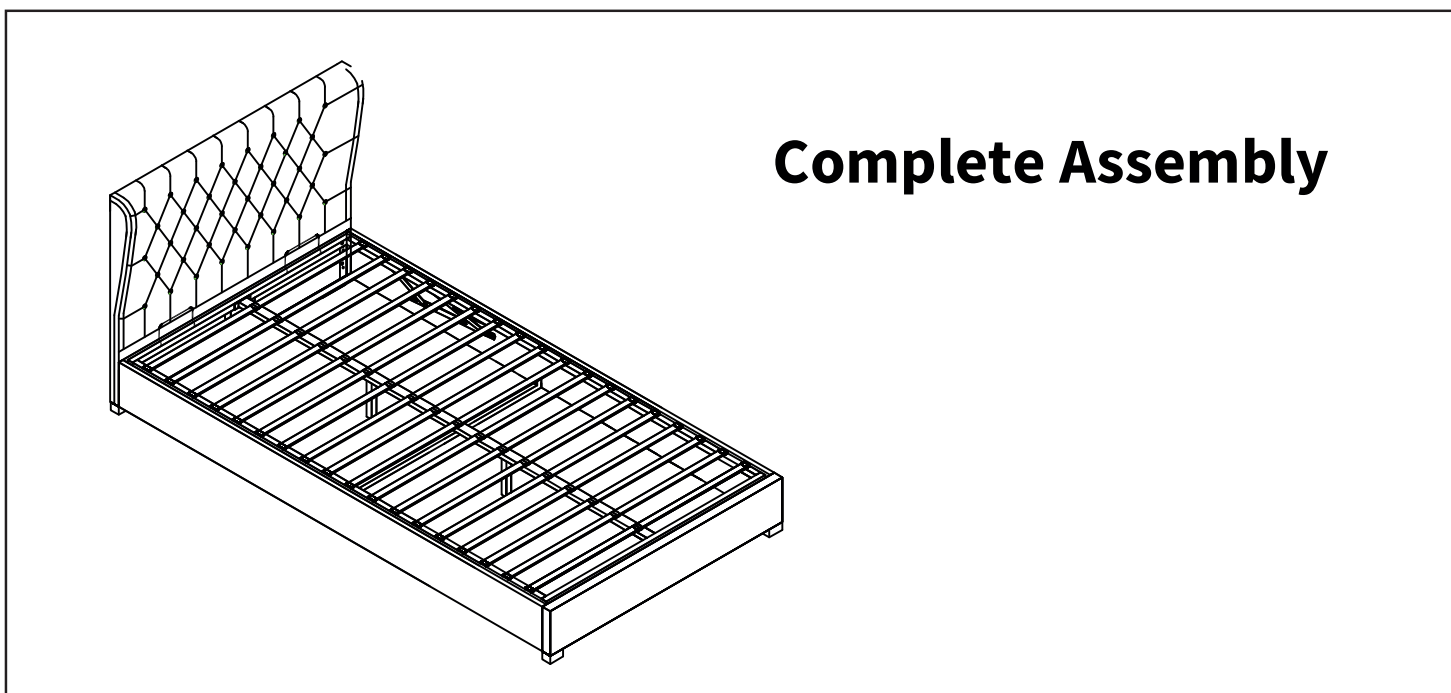




HELPFUL NOTES:

- When installing the pistons insert the thin end first and twist on the other end until both the pistons slots align.

F		NUT	4
---	---	-----	---



Complete Assembly

IMPORTANT NOTICE

OTTOMAN OPERATING INSTRUCTIONS

Once your bed frame is completely assembled, the slat unit will not operate correctly unless a mattress is placed on the slat frame. Position the mattress on the slat frame whilst it is in the closed position.

Use the strap handle to open and close the ottoman. PLEASE NOTE - It takes a lot of force to make the initial movement of the ottoman. This is a design feature of the product so it does not fall shut - the nearer to being closed the ottoman is, the easier it is to move. When the ottoman is almost shut it will close completely under its own weight.

When lowering the slat unit for the first time, take care to make sure it does not rub unevenly on the inside face of the side rails. If this happens, the bed may be slightly misaligned.. This can be fixed by moving the foot end of the bed slightly to the left or right whilst leaving the head end stationary.

PISTONS

The pistons used in this product are extremely strong and cannot be operated by hand when taken off the ottoman. All pistons are tested for correct pressure and operation before being attached to the slat unit.

Initially it might appear that the pistons are very stiff when opening and closing the ottoman - THIS IS PERFECTLY NORMAL.

After operating the ottoman a few times, the movement of the pistons and the opening and closing of the ottoman will become easier.

Please note that the pistons can withstand a maximum mattress weight of **40KG**.

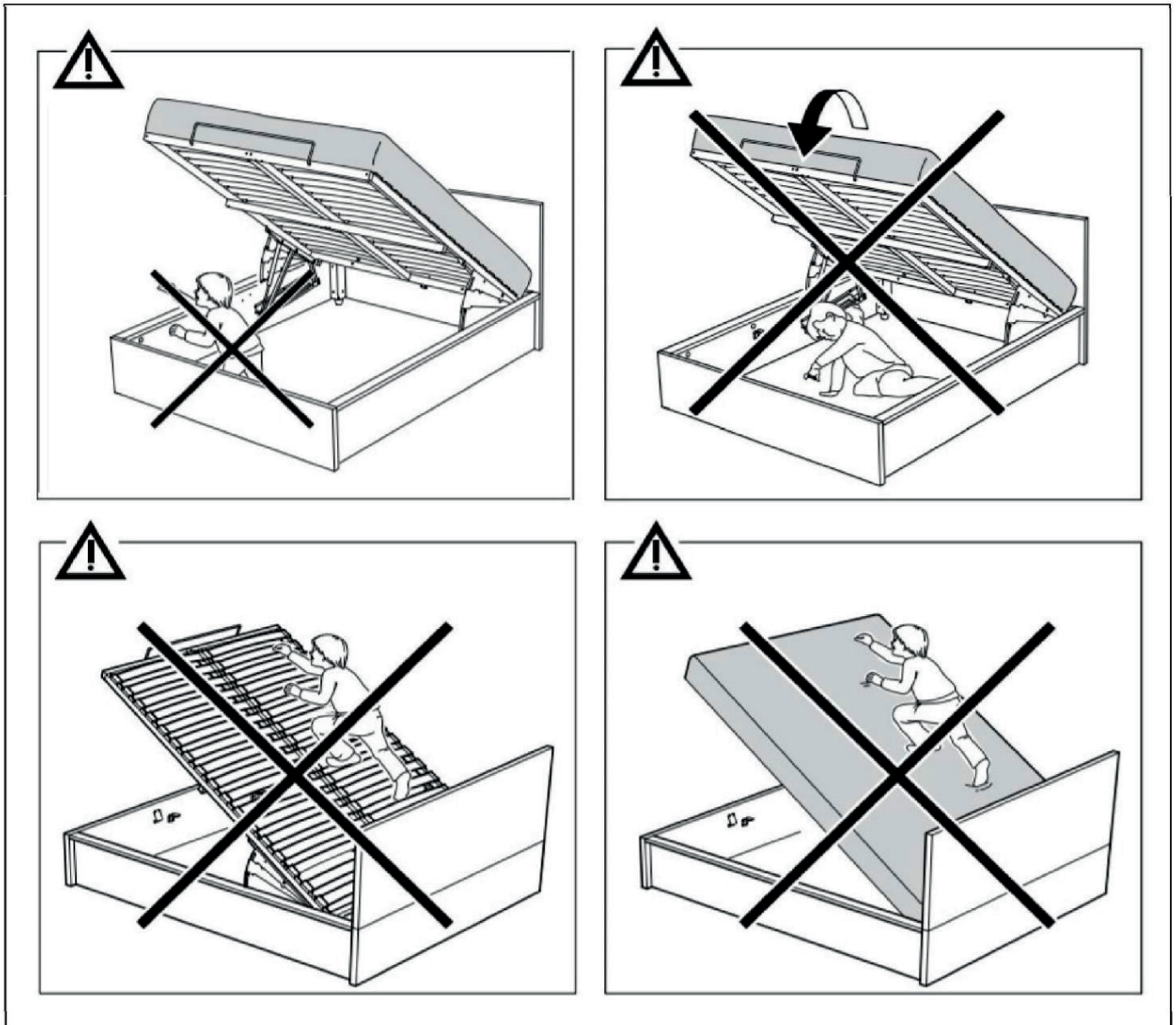
WARNING

For the safety of yourselves and others, please ensure that:

- Only the handle is used when lifting and lowering the frame. Failure to comply with this warning may result in injury and finger entrapment.
- The handle is attached and always left visible on the outside of the bedstead frame.
- The metal frame is fully raised in the full 'Up' position before using the ottoman space, otherwise the frame could close (fall) or open (spring up) causing injury.
- Children and pets should not be left unattended when the frame is in the lifted position as they could become trapped inside the ottoman space.
- Please keep children and pets away from the ottoman bedstead whilst opening and closing the slat frame to avoid injury.
- The items stored under the bed, must not touch the underside of the mattress metal frame base or it may get damaged.

Hints and Tips

Failure to do so may result in injury.



Bed frame must be in **CLOSED** position, with Mattress on the bed when moving the bed.

