









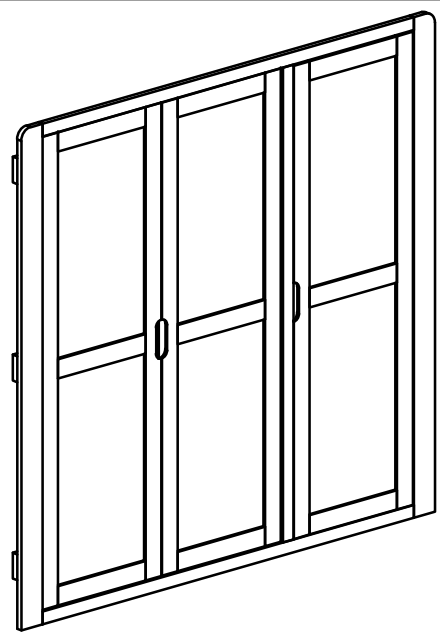


ASSEMBLY INSTRUCTION

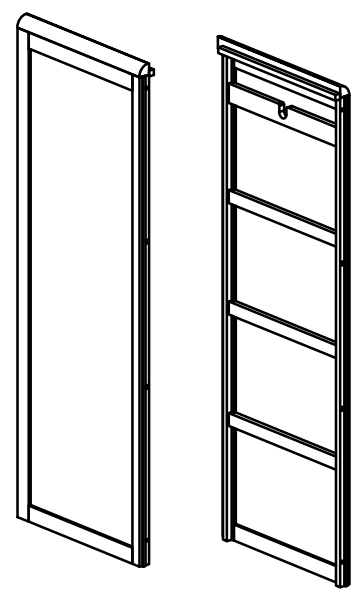
G7485 - TRIPLE WARDROBE

No	LIST OF HARDWARE	Q.ty (pcs)
①	Bolts M6x35 	8
②	Spring Washers 	8
③	Flat Washers 	8
④	Allen key K4 	1
⑤	Screw Ø4 x 30 	26
⑥	Screw Ø4 x 40 	6
⑦	Plastic bracket 	4
⑧	Tie 	2
⑨	Screw Ø4x20 	8

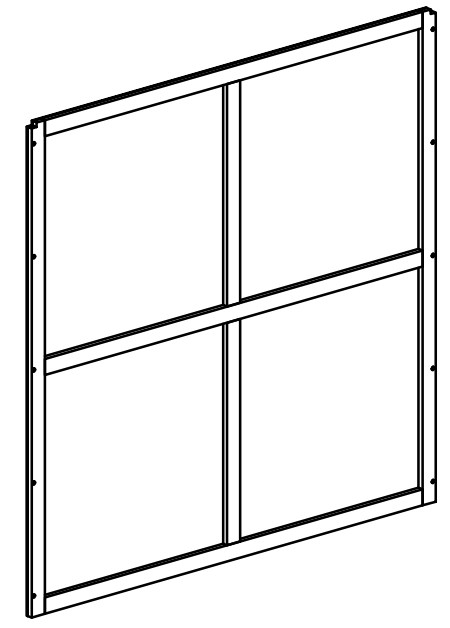
Screwdriver (not included) 



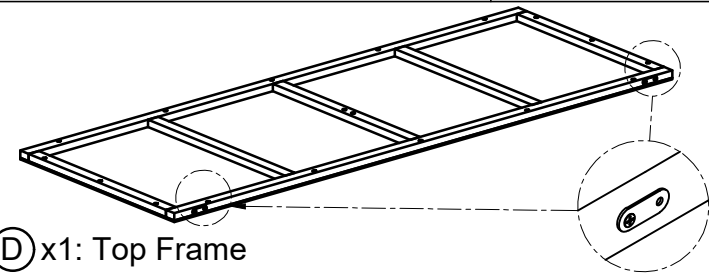
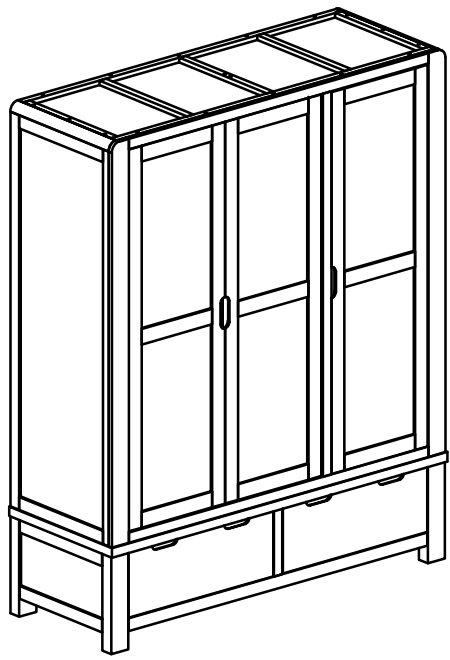
Ⓐ x1: Front Frame



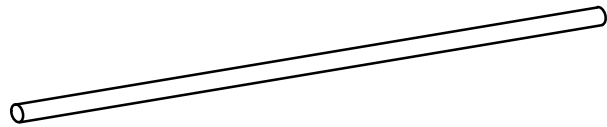
Ⓑ x2: Side Frame (Left -Right)



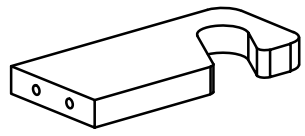
Ⓒ x1: Back Frame



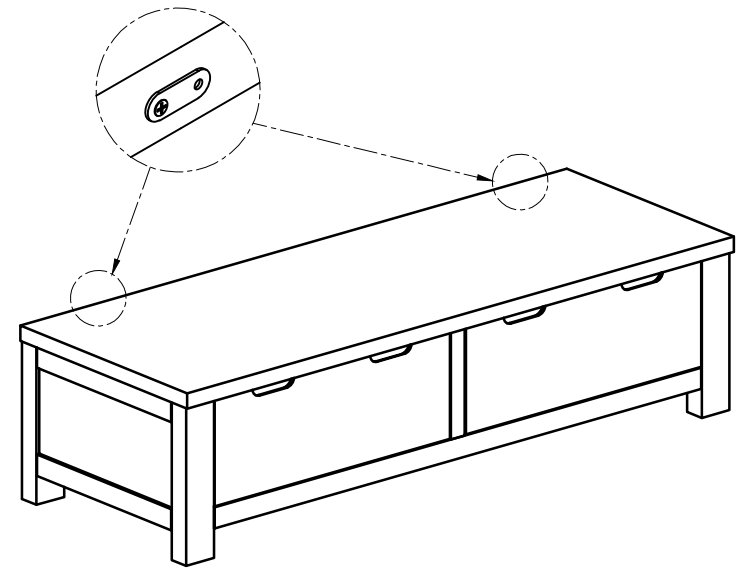
Ⓓ x1: Top Frame



Ⓔ x1: Hanging



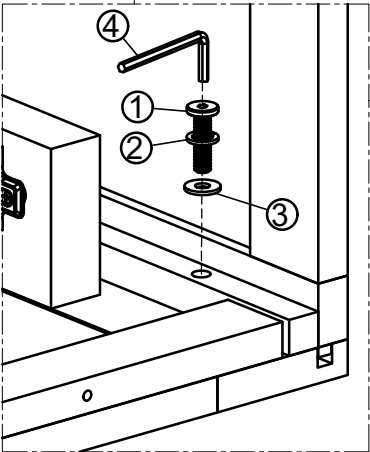
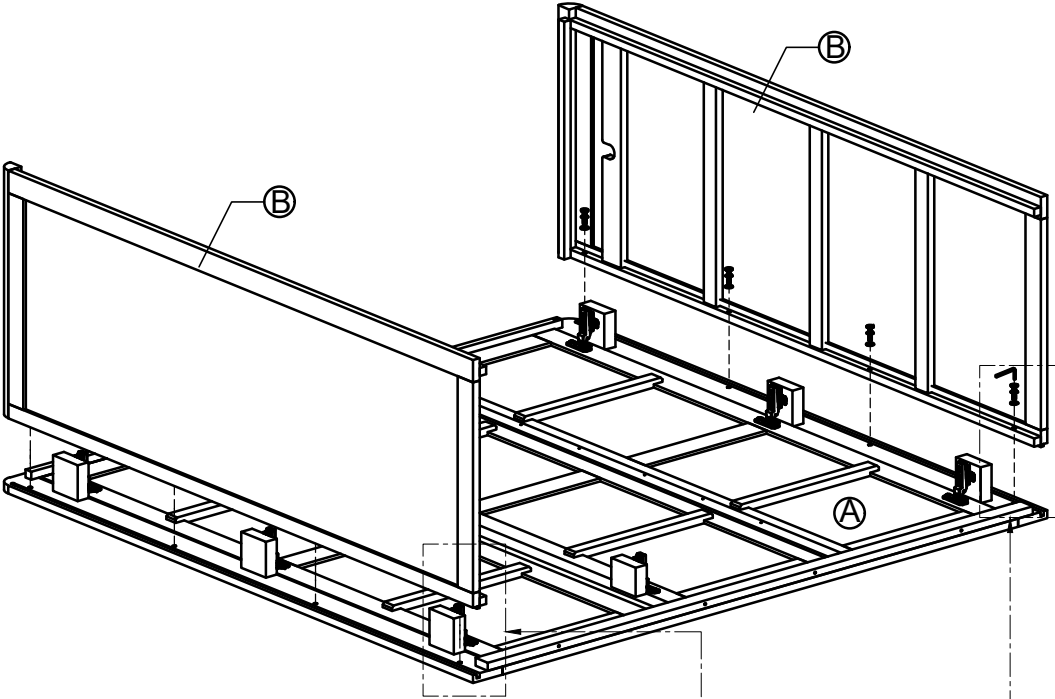
Ⓕ x1: Support



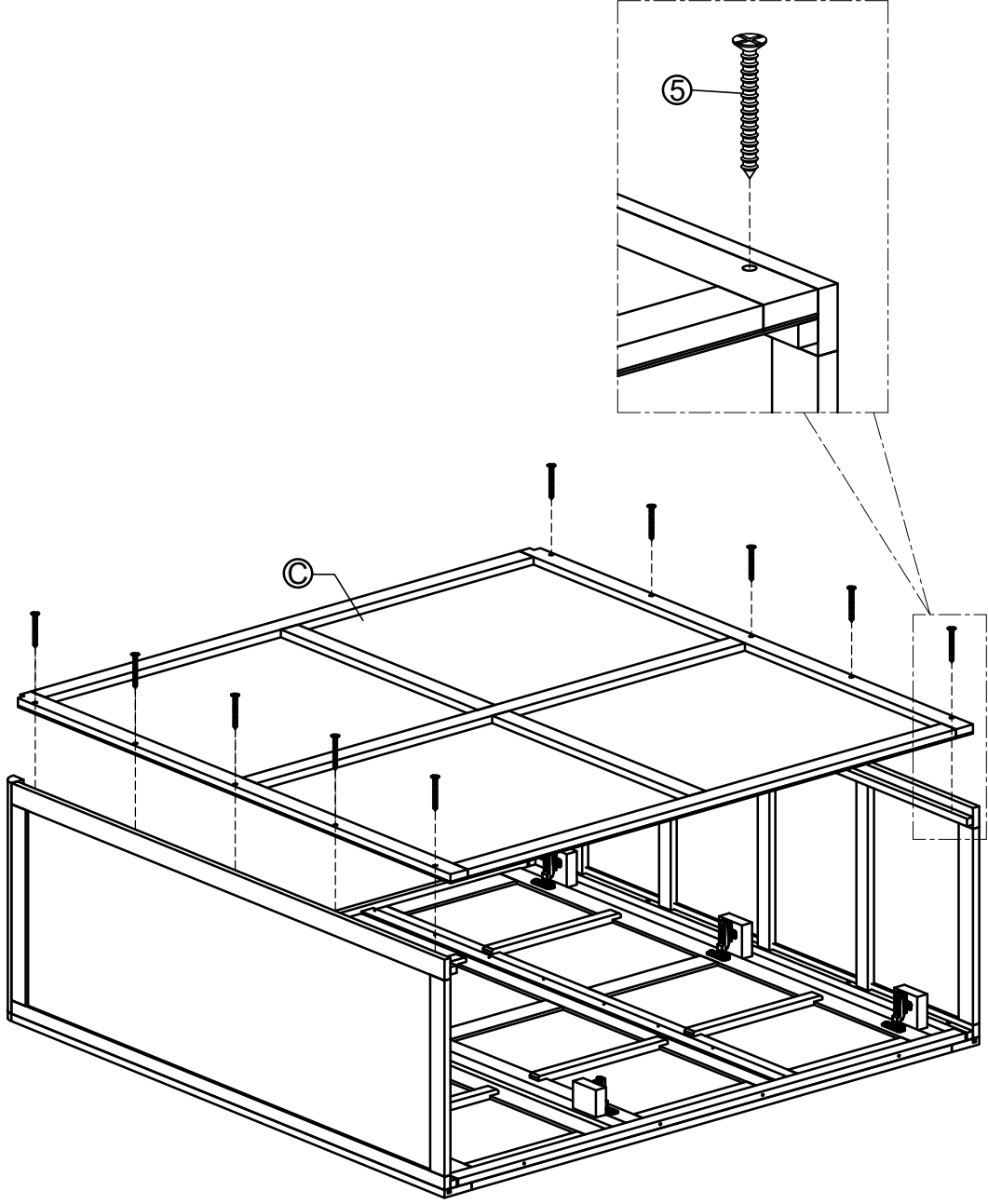
Ⓖ x1: Base cabinet

ASSEMBLY INSTRUCTION G7485 - TRIPLE WARDROBE

STEP 1

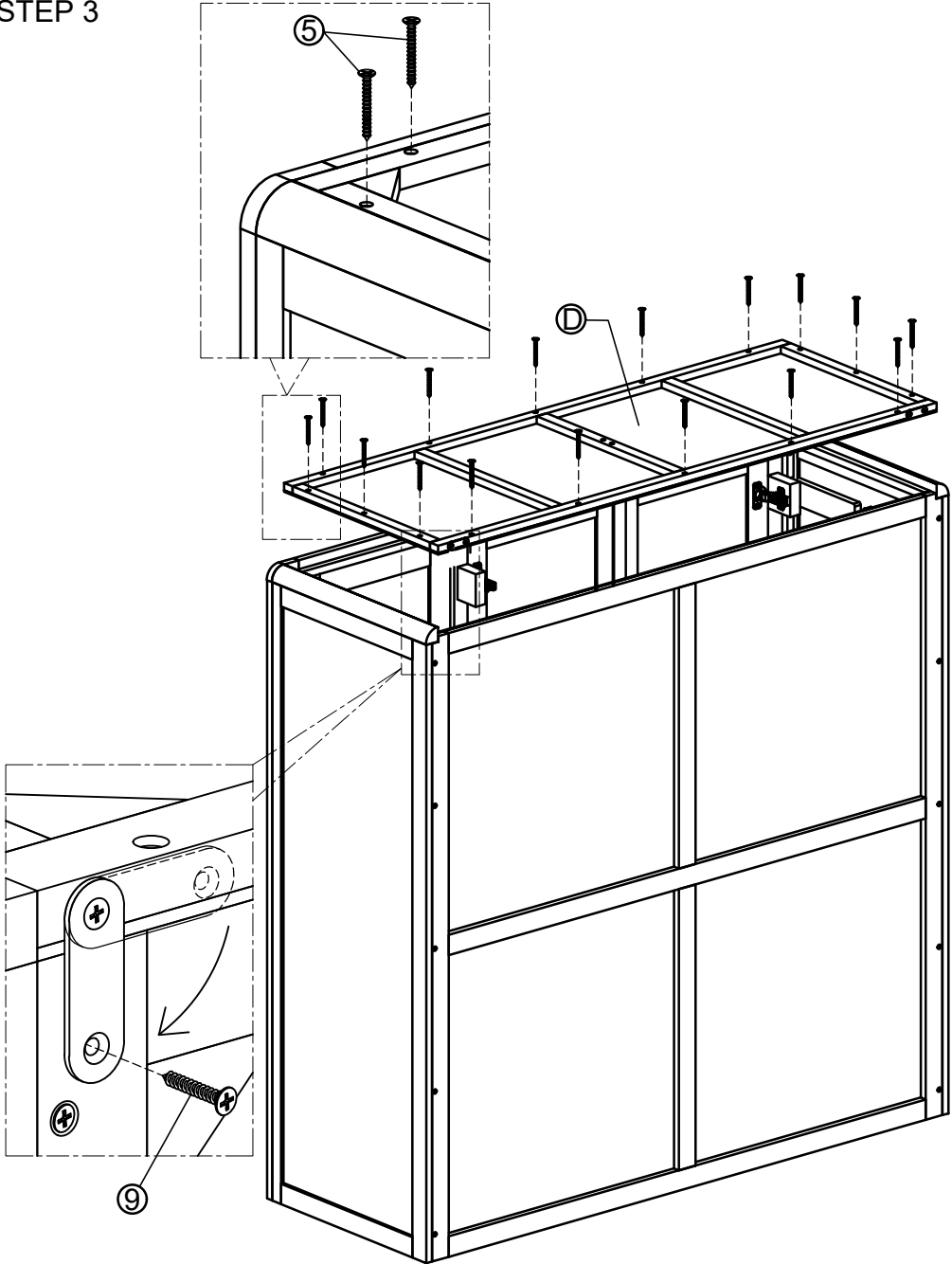


STEP 2

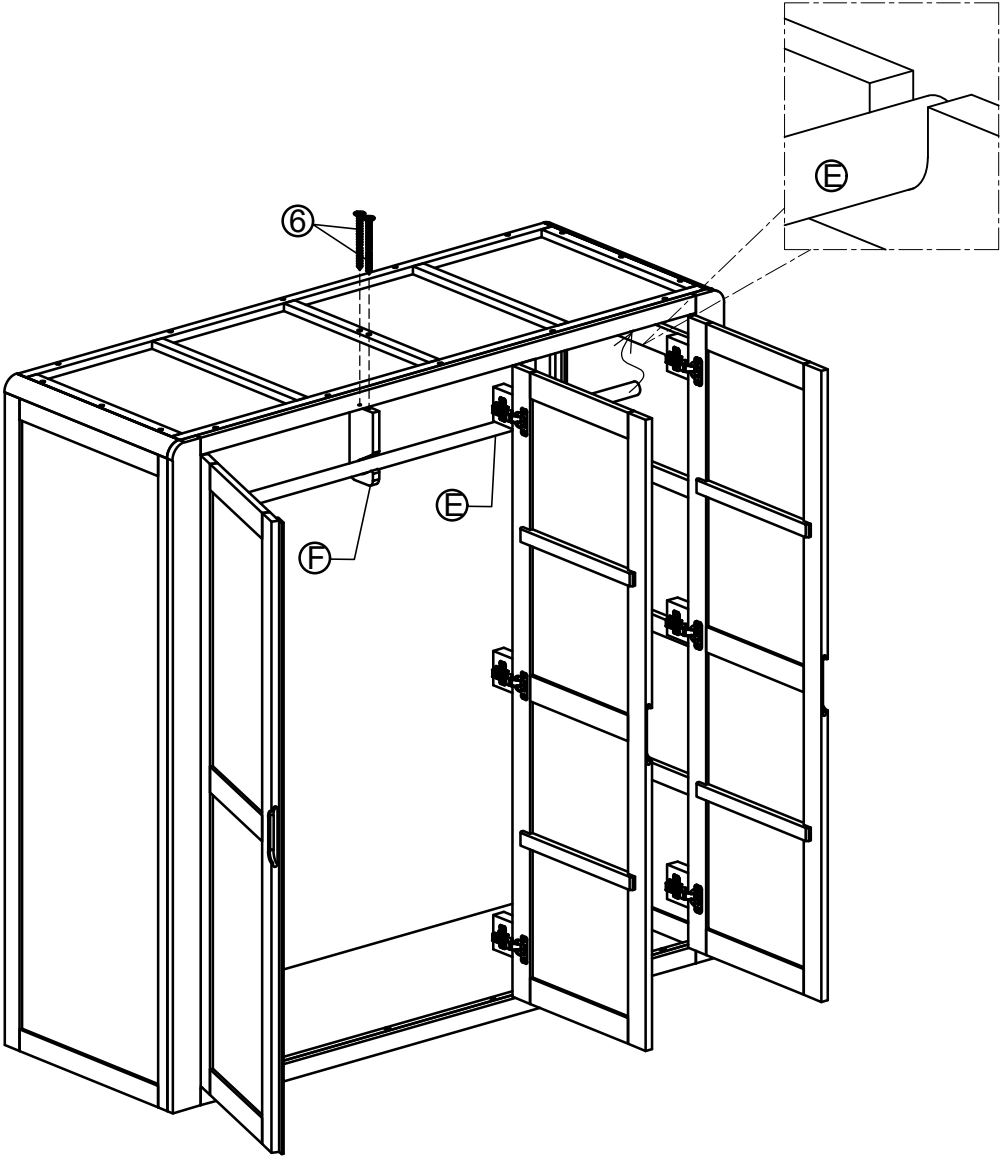


ASSEMBLY INSTRUCTION G7485 - TRIPLE WARDROBE

STEP 3

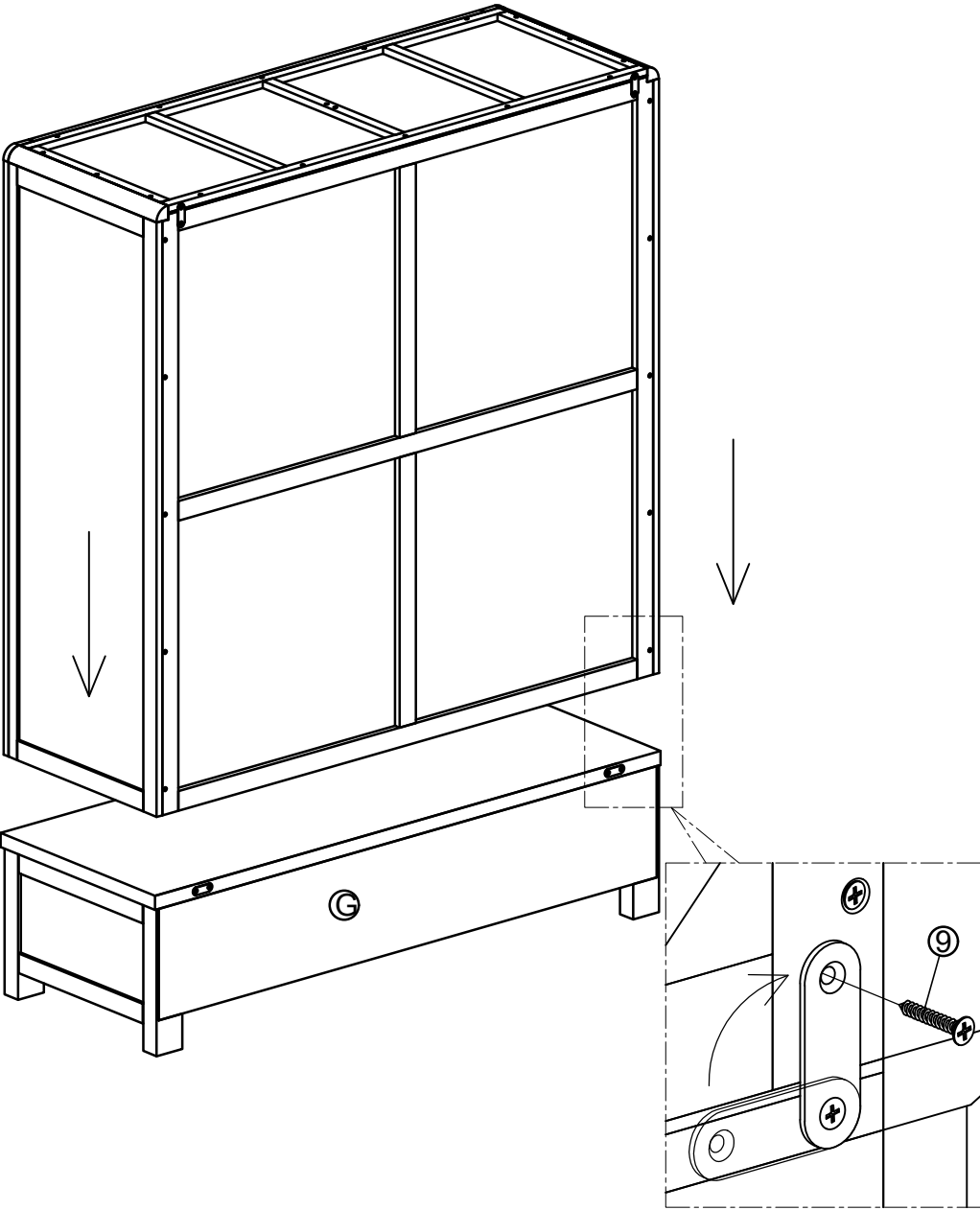


STEP 4

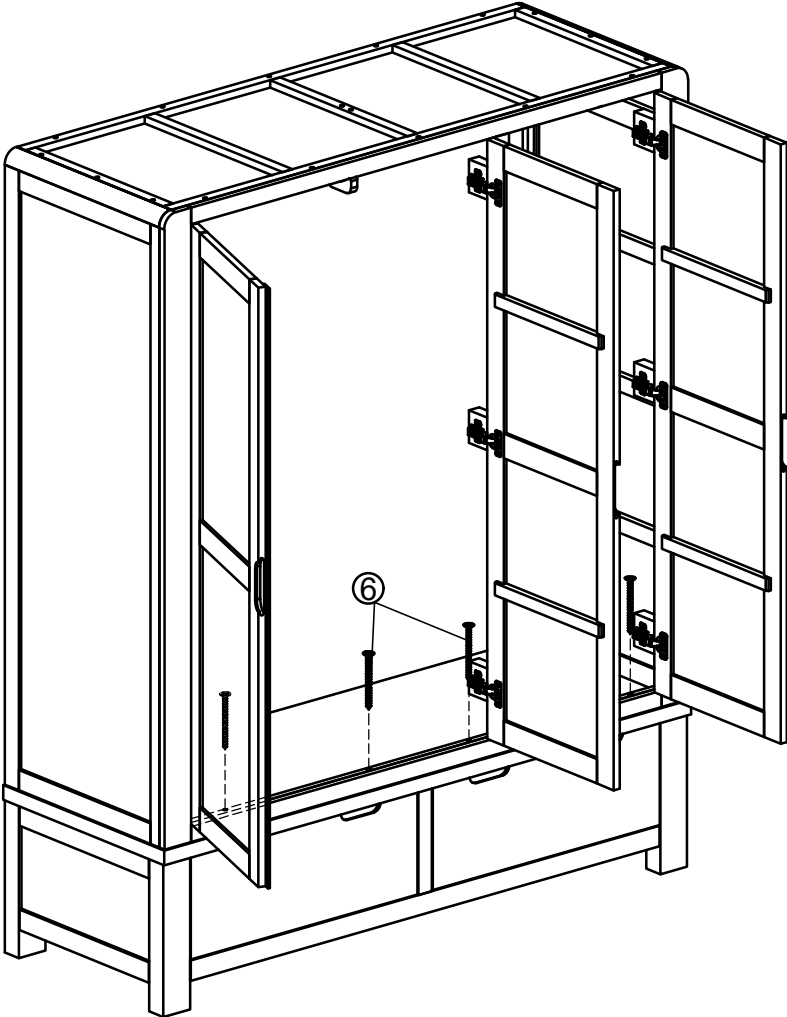


ASSEMBLY INSTRUCTION G7485 - TRIPLE WARDROBE

STEP 5

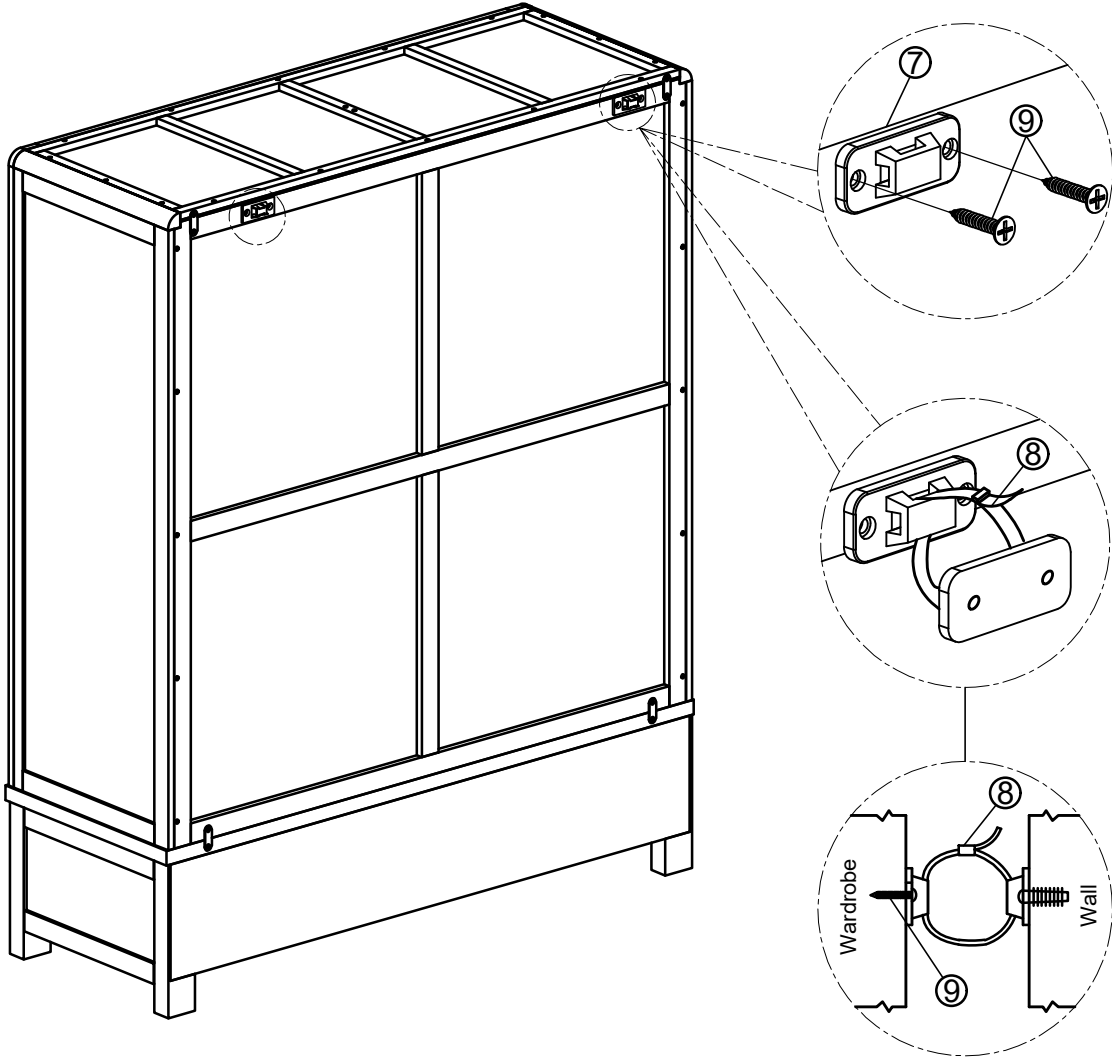


STEP 6

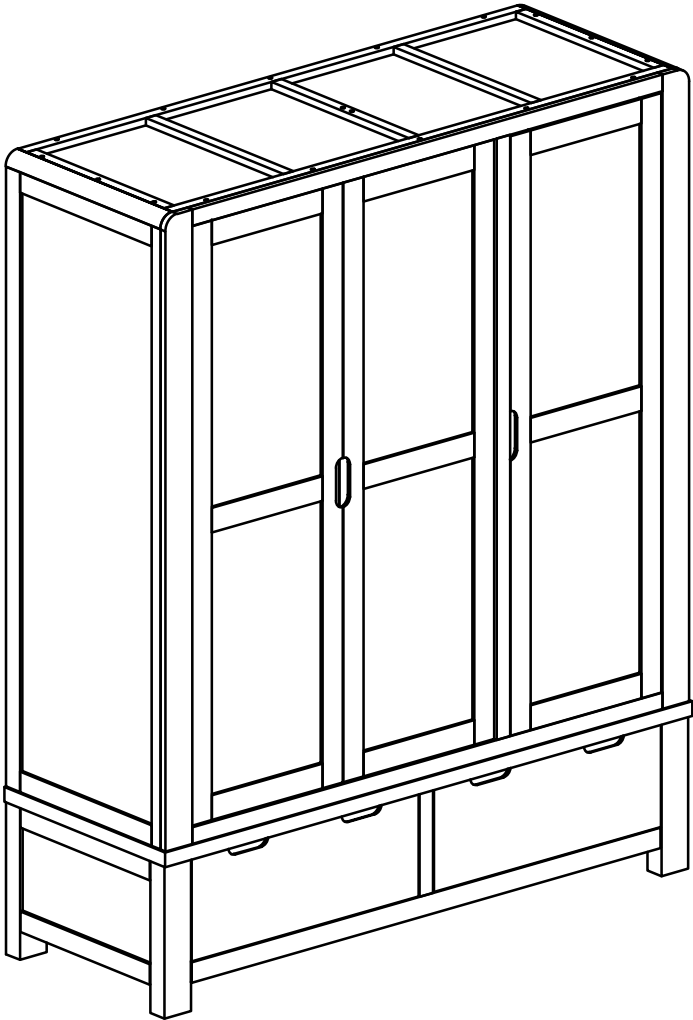


ASSEMBLY INSTRUCTION G7485 - TRIPLE WARDROBE

STEP 7



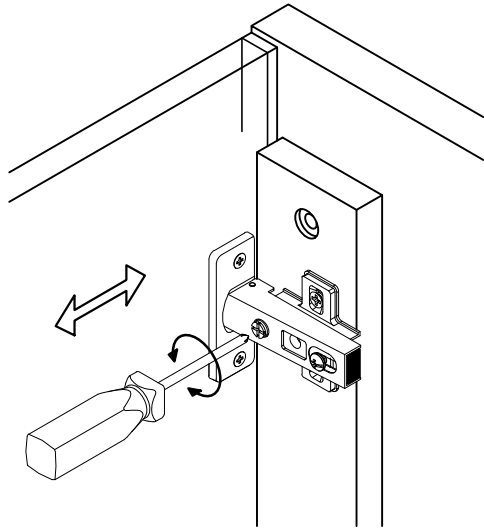
FINAL



HINGE ADJUSTMENT INSTRUCTIONS

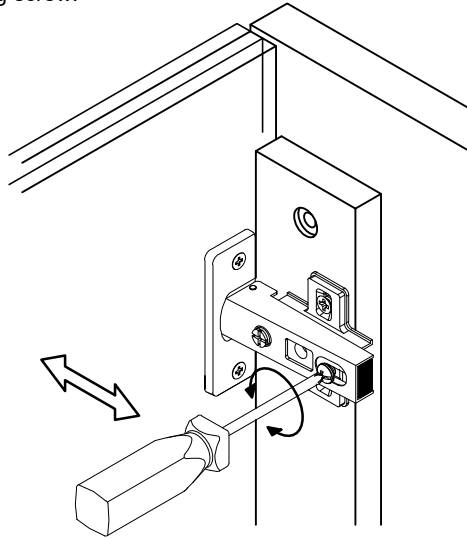
LATERAL ADJUSTMENT

by screw adjustment.



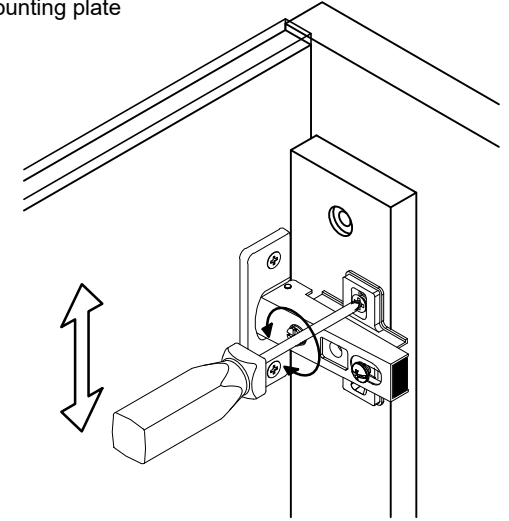
FRONT-TO-BACK

by slackening and retightening the hinge-arm mounting screw.

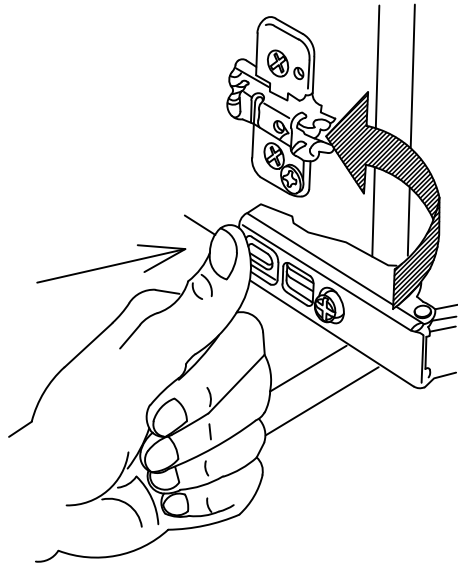


VERTICAL ADJUSTMENT

via slots on mounting plate by slackening and retightening the screws on mounting plate



ASSEMBLY



DISASSEMBLY

