









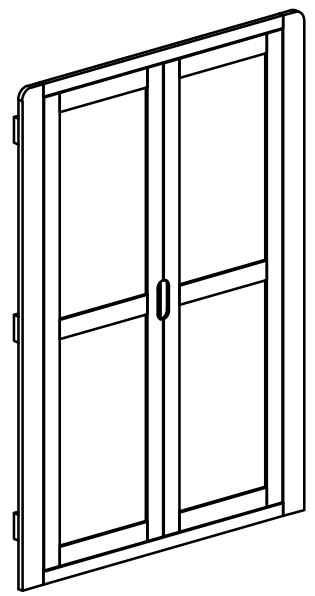


ASSEMBLY INSTRUCTION

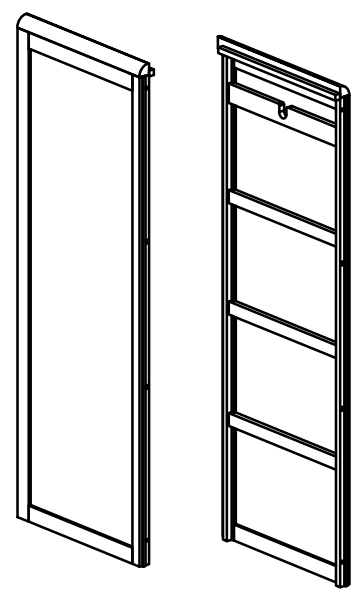
G7448 - GENTS WARDROBE

No	LIST OF HARDWARE		Q.ty (pcs)
①	Bolts M6x35		8
②	Spring Washers		8
③	Flat Washers		8
④	Allen key K4		1
⑤	Screw Ø4 x 30		24
⑥	Screw Ø4 x 40		3
⑦	Plastic bracket		4
⑧	Tie		2
⑨	Screw Ø4x20		8

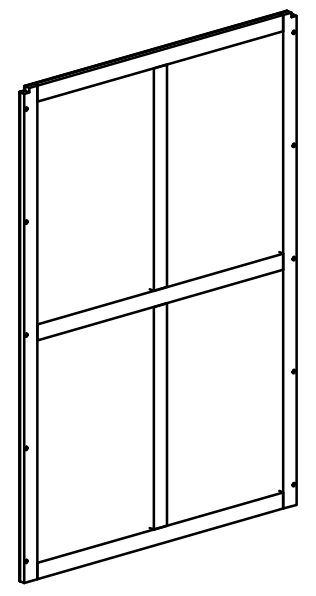
Screwdriver (not included) 



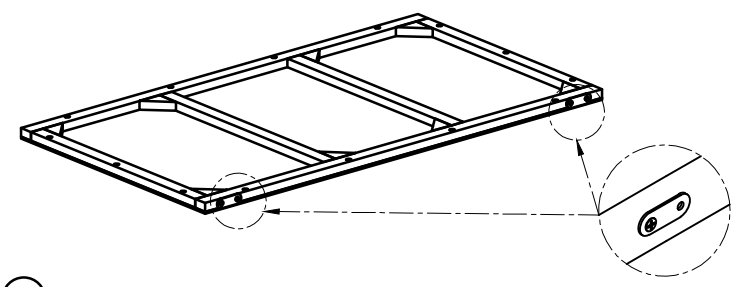
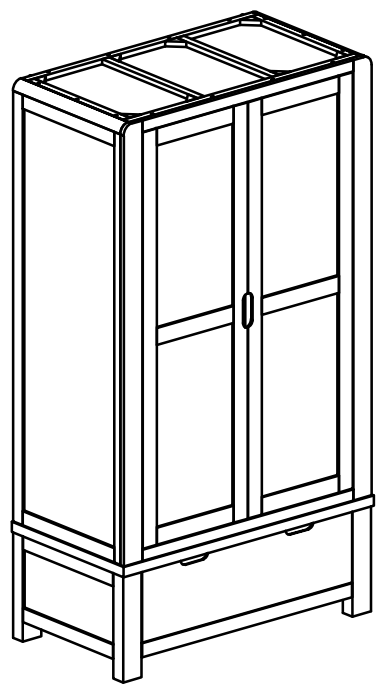
Ⓐ x1: Front Frame



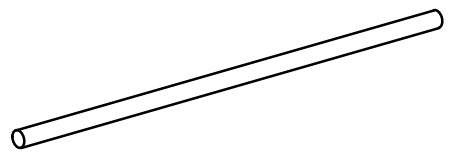
Ⓑ x2: Side Frame (Left -Right)



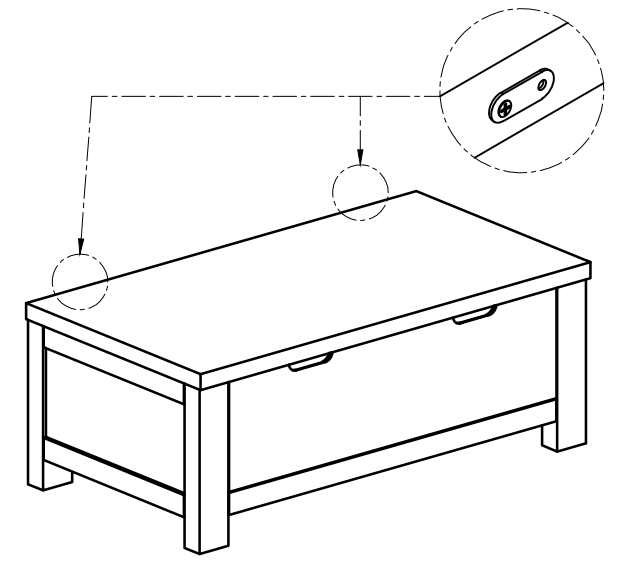
Ⓒ x1: Back Frame



Ⓓ x1: Top Frame



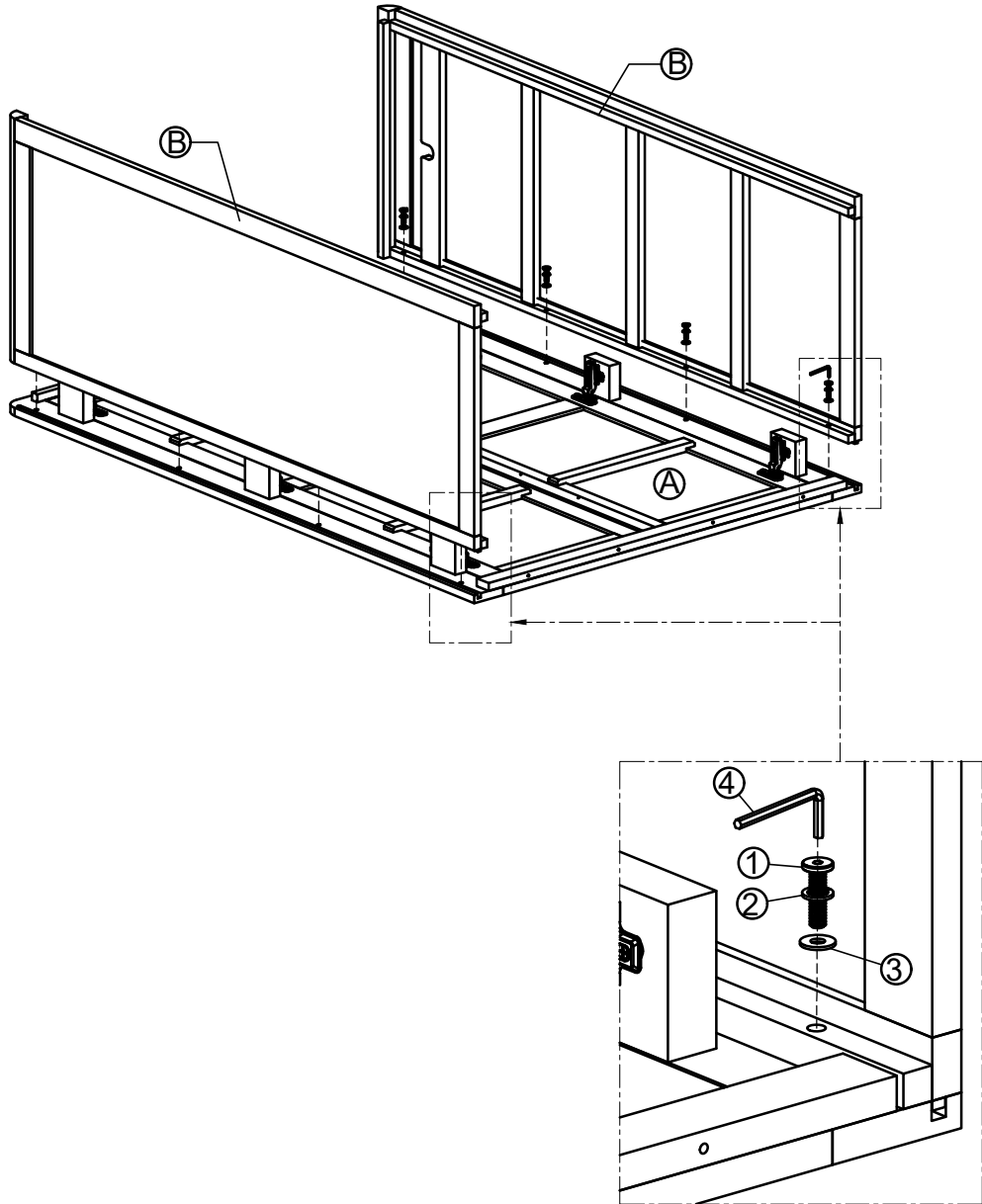
Ⓔ x1: Hanging



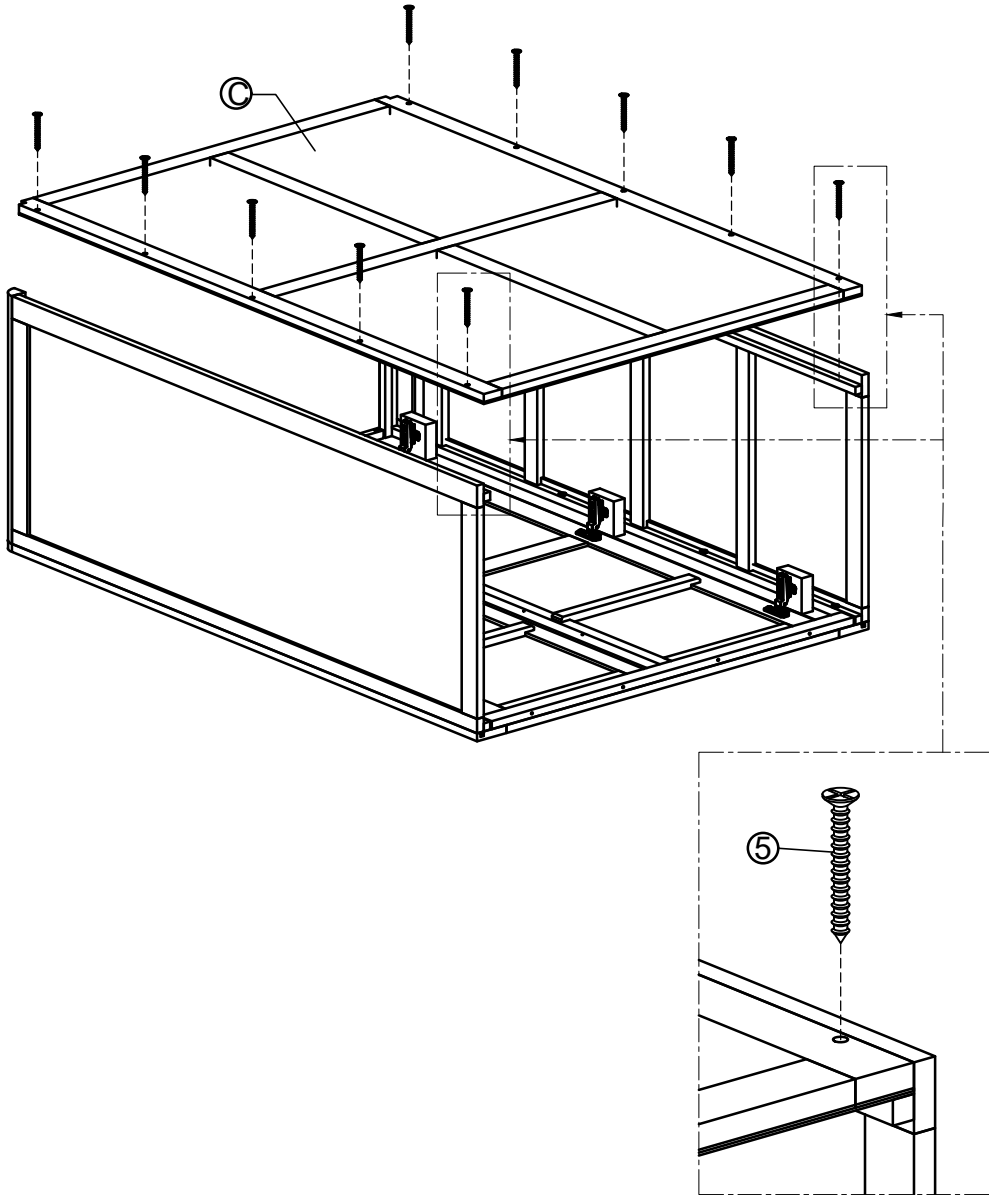
Ⓕ x1: Base cabinet

ASSEMBLY INSTRUCTION G7448 - GENTS WARDROBE

STEP 1

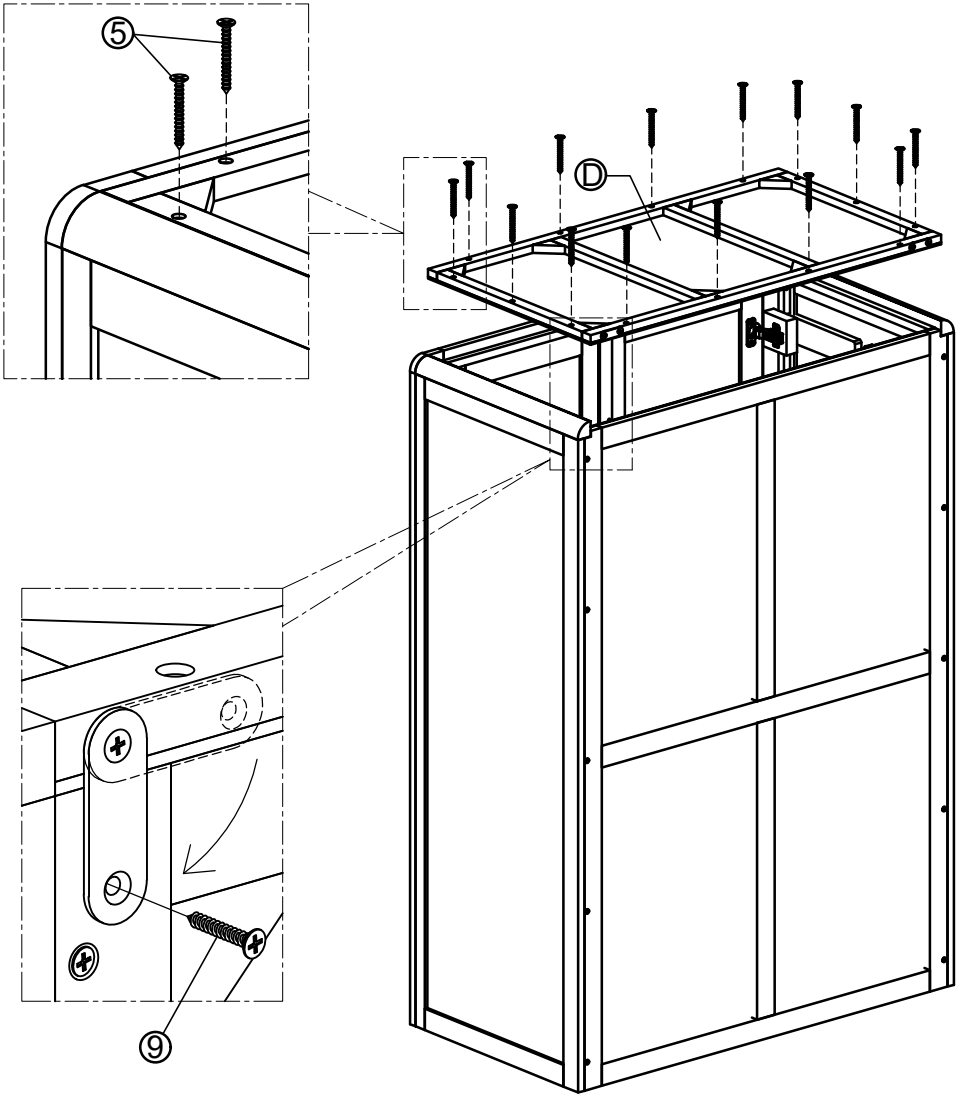


STEP 2

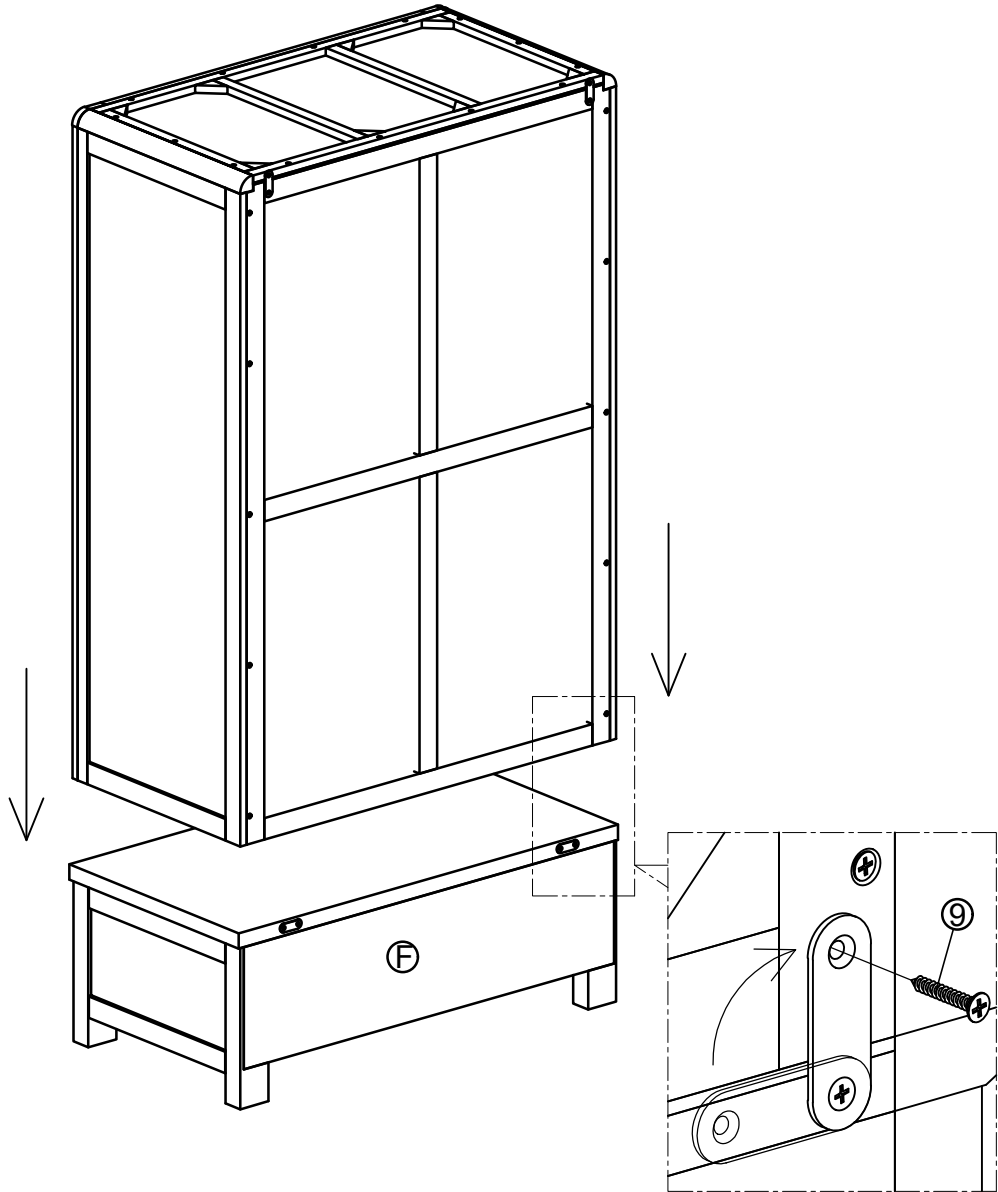


ASSEMBLY INSTRUCTION
G7448 - GENTS WARDROBE

STEP 3

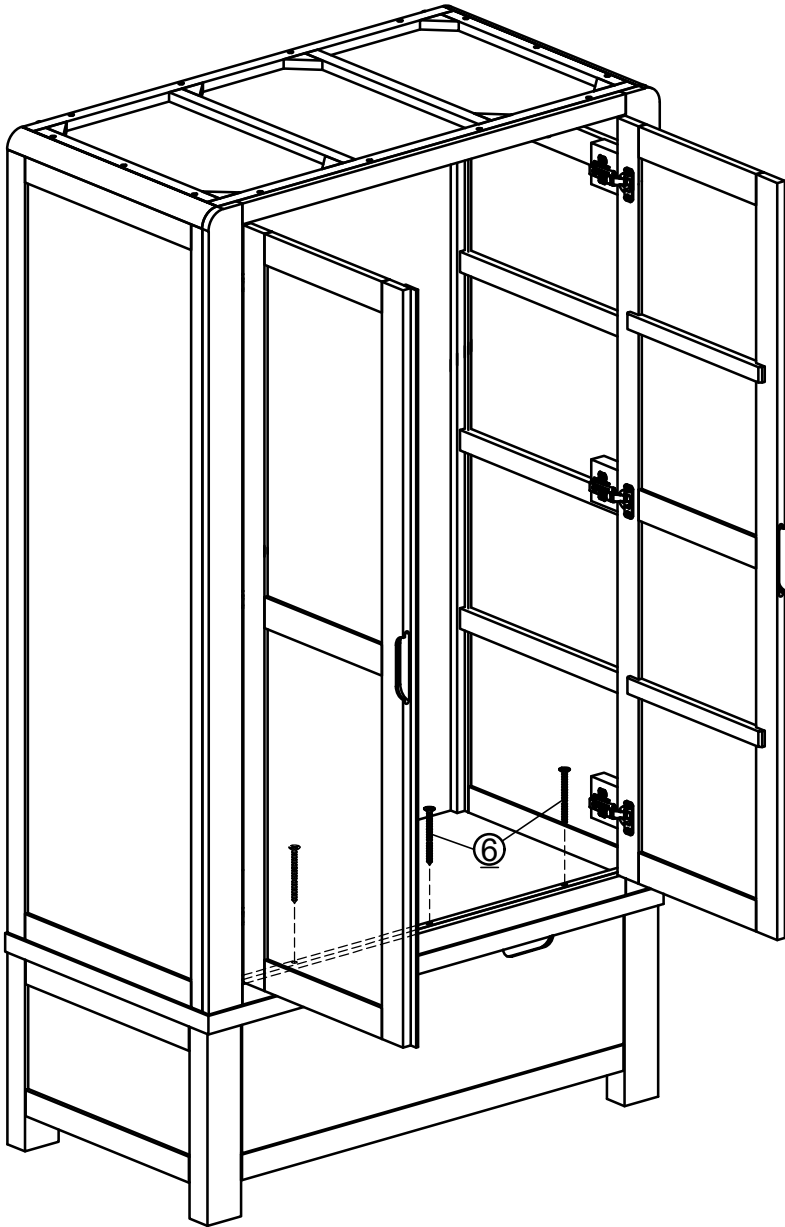


STEP 4

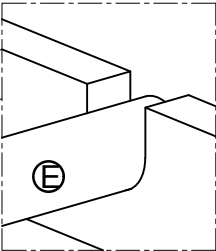
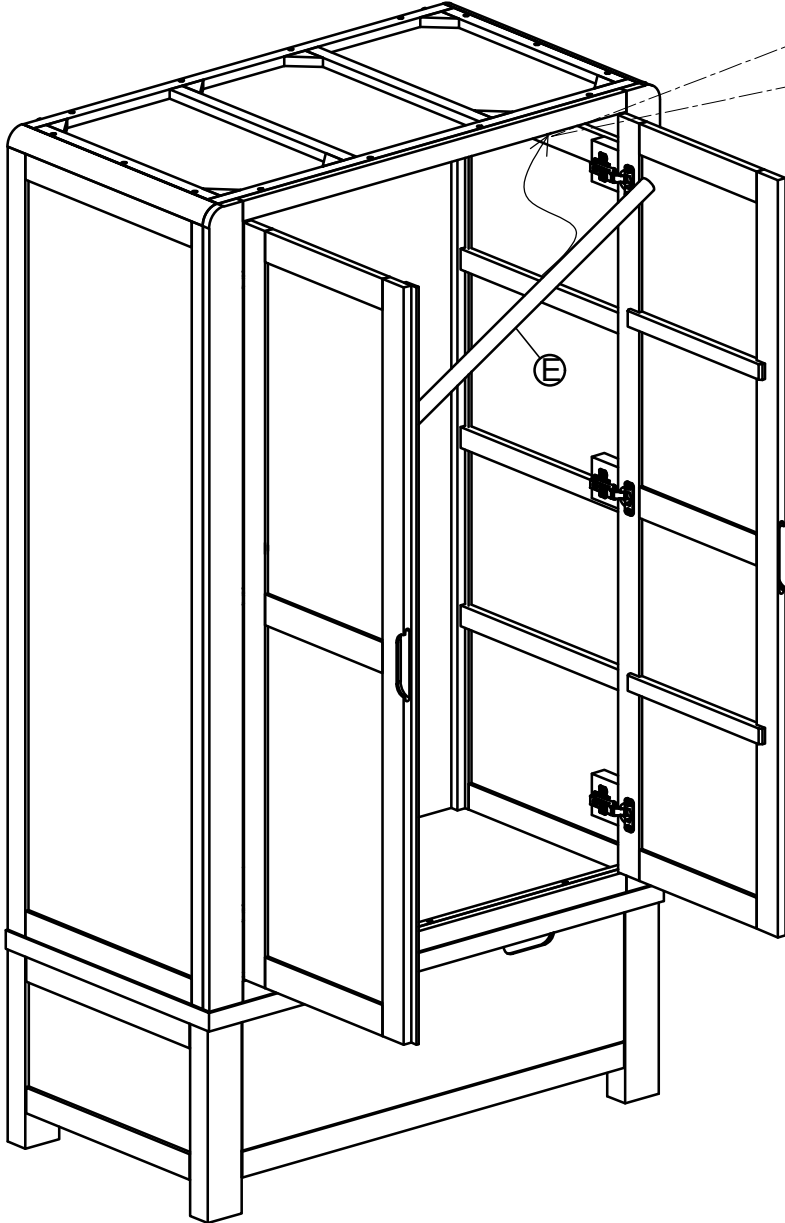


ASSEMBLY INSTRUCTION
G7448 - GENTS WARDROBE

STEP 5

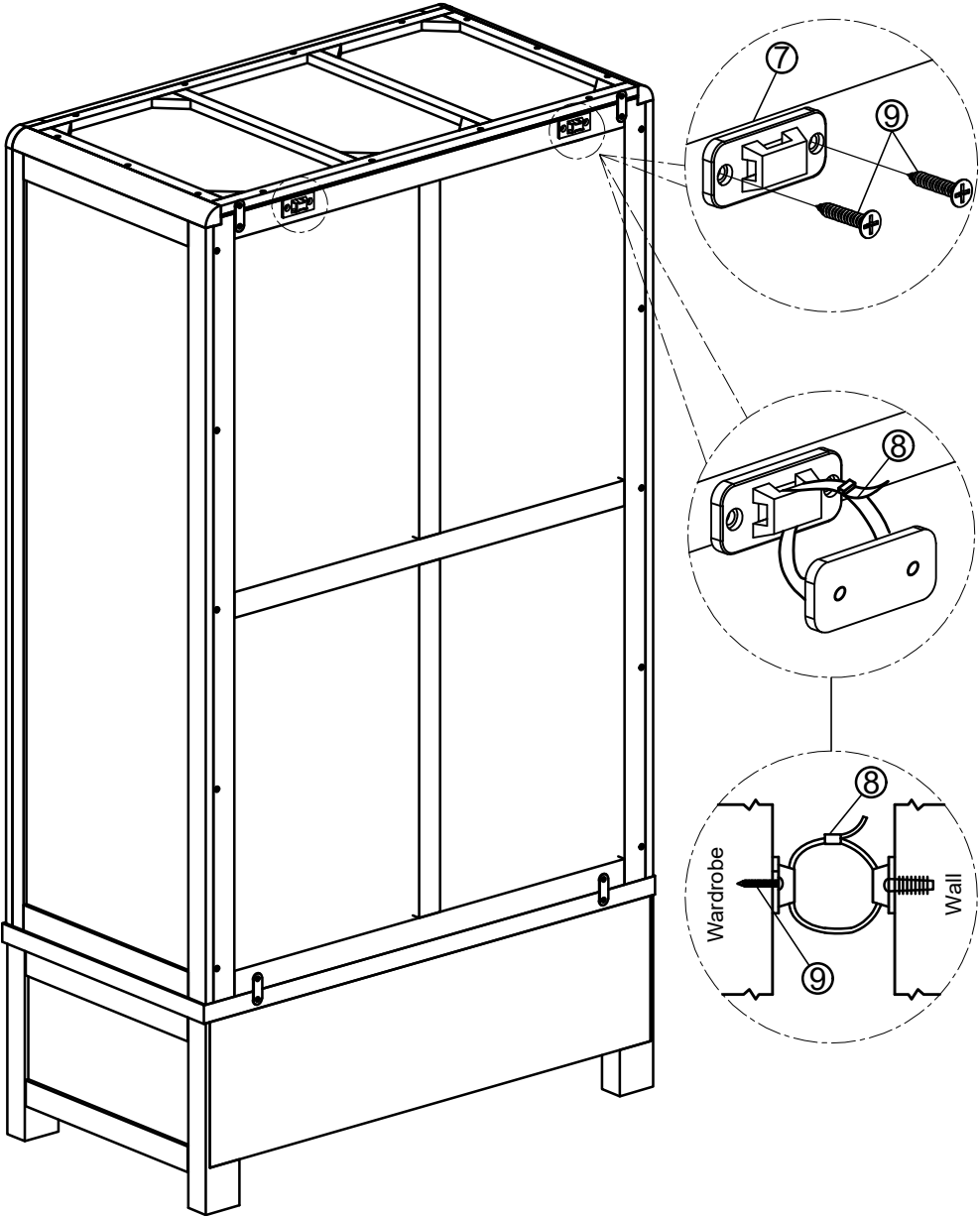


STEP 6

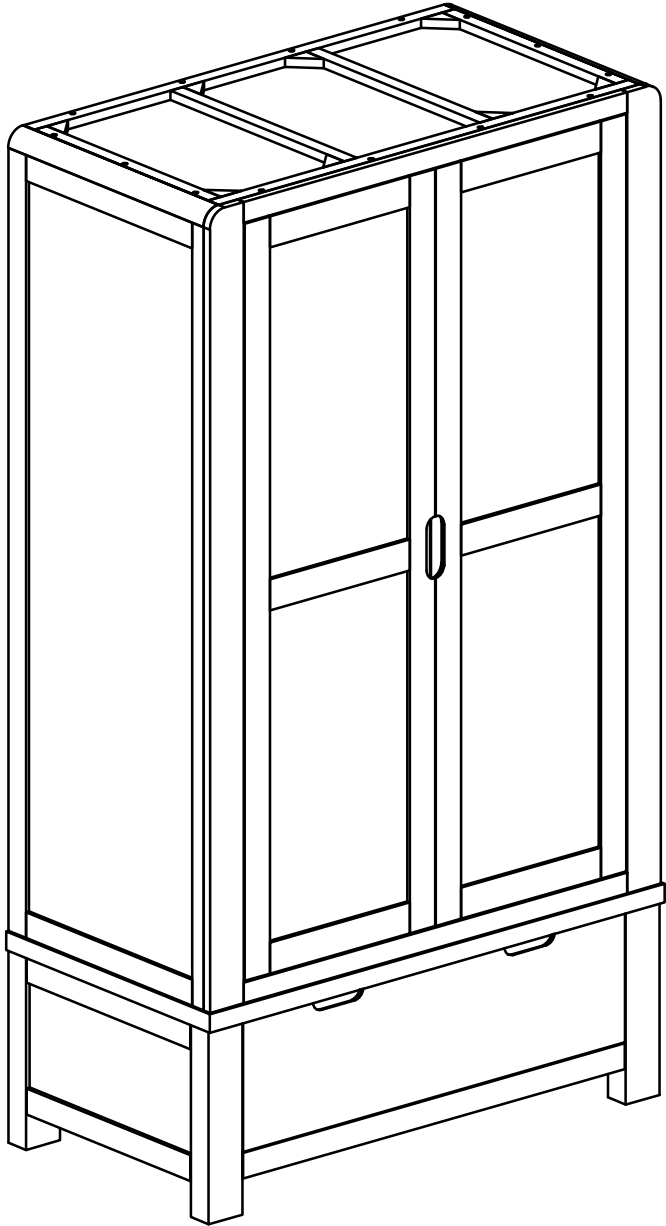


ASSEMBLY INSTRUCTION
G7448 - GENTS WARDROBE

STEP 7



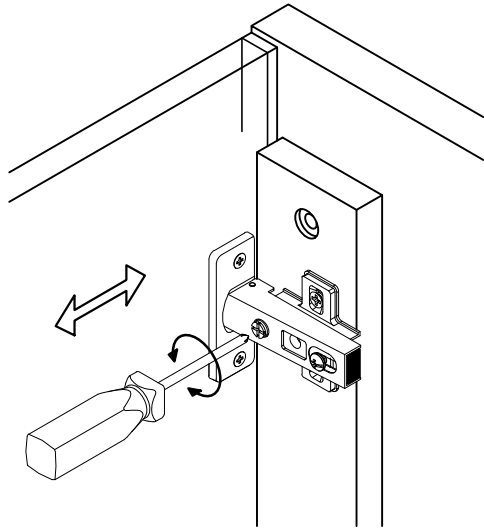
FINAL



HINGE ADJUSTMENT INSTRUCTIONS

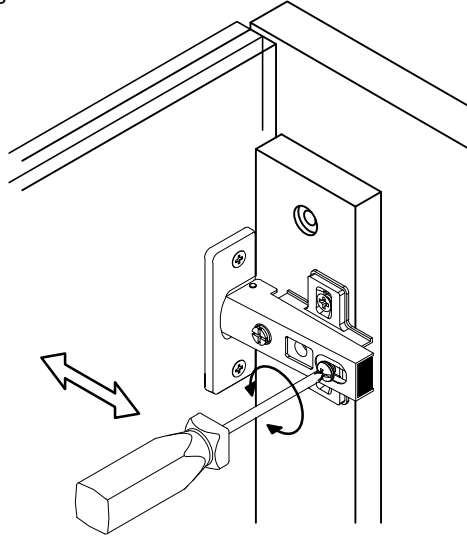
LATERAL ADJUSTMENT

by screw adjustment.



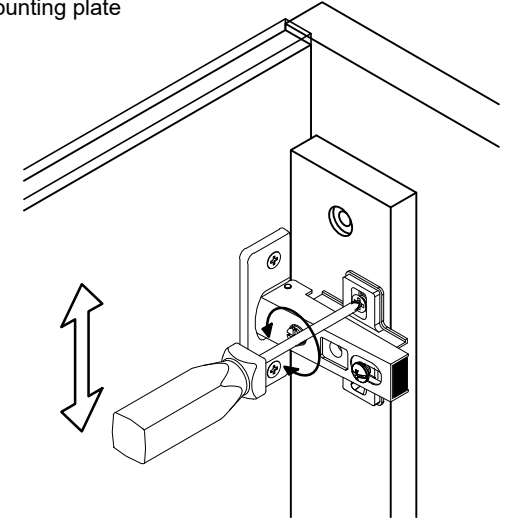
FRONT-TO-BACK

by slackening and retightening the hinge-arm mounting screw.

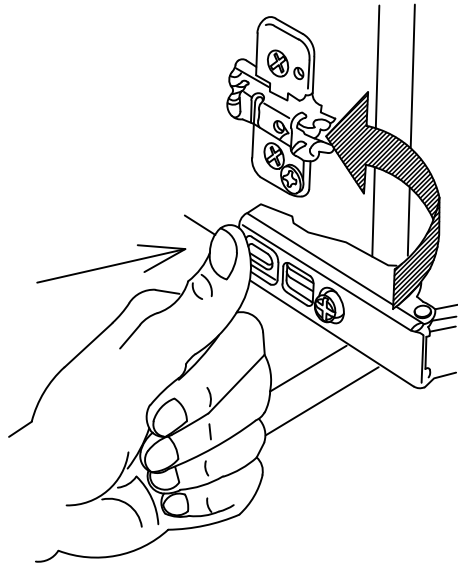


VERTICAL ADJUSTMENT

via slots on mounting plate by slackening and retightening the screws on mounting plate



ASSEMBLY



DISASSEMBLY

