

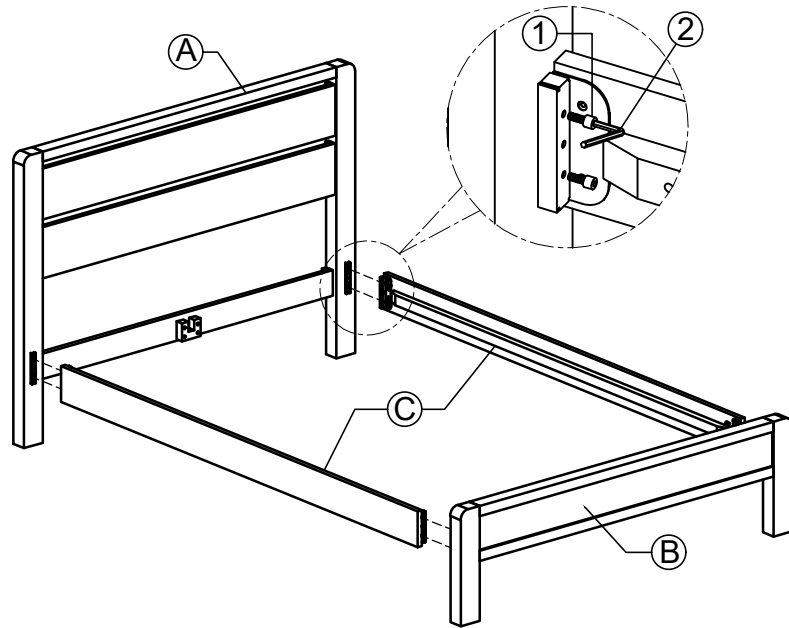


# ASSEMBLY INSTRUCTION

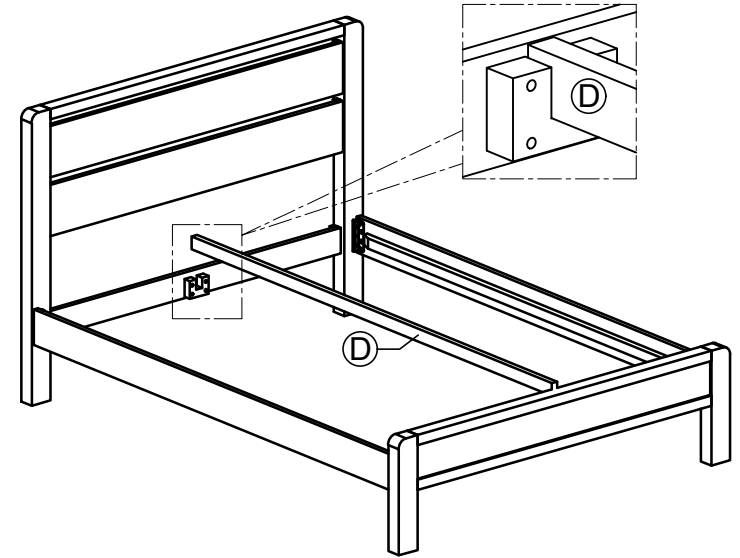
## G7443 - SLATTED BED 5'

No	Name of Hardware	Q.ty
①	Bolt M6x10 	8
②	Allen Key (K5) 	1

### STEP 1

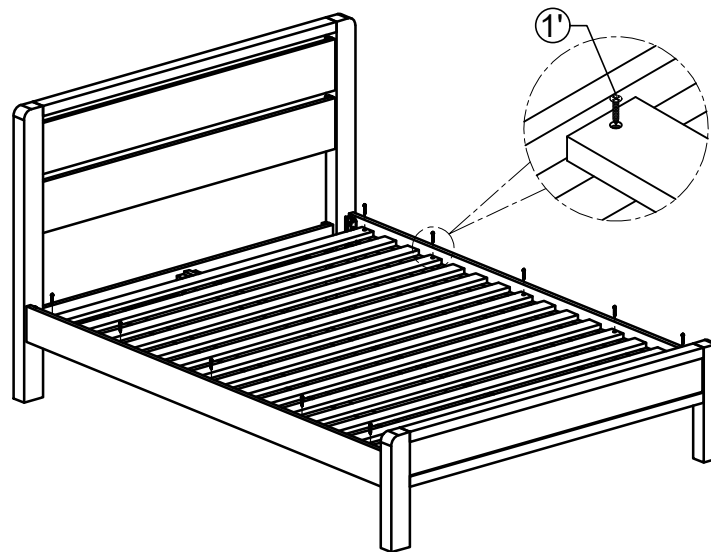


### STEP 2

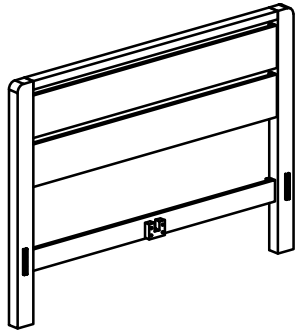
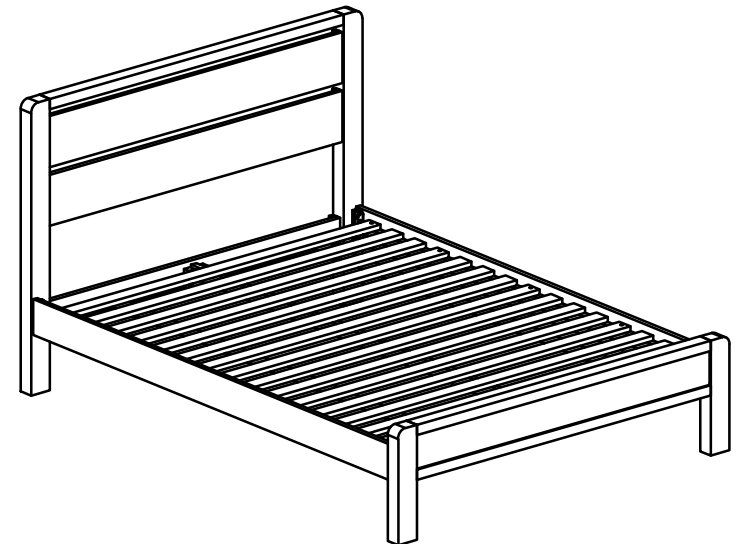


### STEP 3

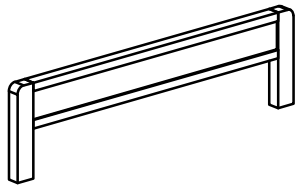
NOTE: SLAT BEDS ARE ON A DIFFERENT PACKAGE  
HARDWARE ① ARE INCLUDED IN SLAT BED



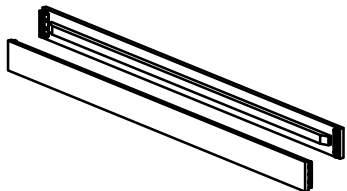
### FINAL



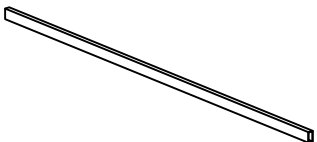
Ax1 - HEAD BED



Bx1 - FOOT BED



Cx2 - SIDE RAILS



Dx1 - METAL CENTER RAIL