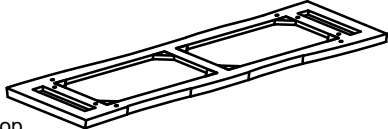
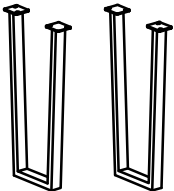



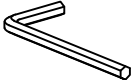


ASSEMBLY INSTRUCTION G7504 - CONSOLE TABLE

| No | Name of Component | Q.ty |
|----|--|------|
| Ⓐ |  Top | 1 |
| Ⓑ |  Legs | 2 |
| No | Name of Hardware | Q.ty |
| ① | Bolt M8 x 25  | 8 |
| ② | Flat Washer M8  | 8 |
| ③ | Spring Washer M8  | 8 |
| ④ | Allen key K4  | 1 |

