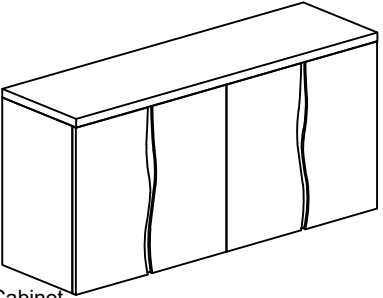
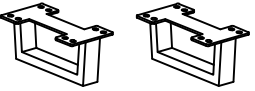


# ASSEMBLY INSTRUCTION G7499 - LARGE SIDEBOARD


No	Name of Component	Q.ty
(A)	 Cabinet	1

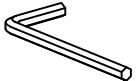
(B)	 Legs	2
-----	---	---


No	Name of Hardware	Q.ty
----	------------------	------


(1)	Bolt M8 x 15 	16
-----	--	----


(2)	Flat Washer M8 	16
-----	--	----

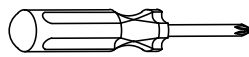
(3)	Spring Washer M8 	16
-----	--	----

(4)	Allen key K4 	1
-----	--	---

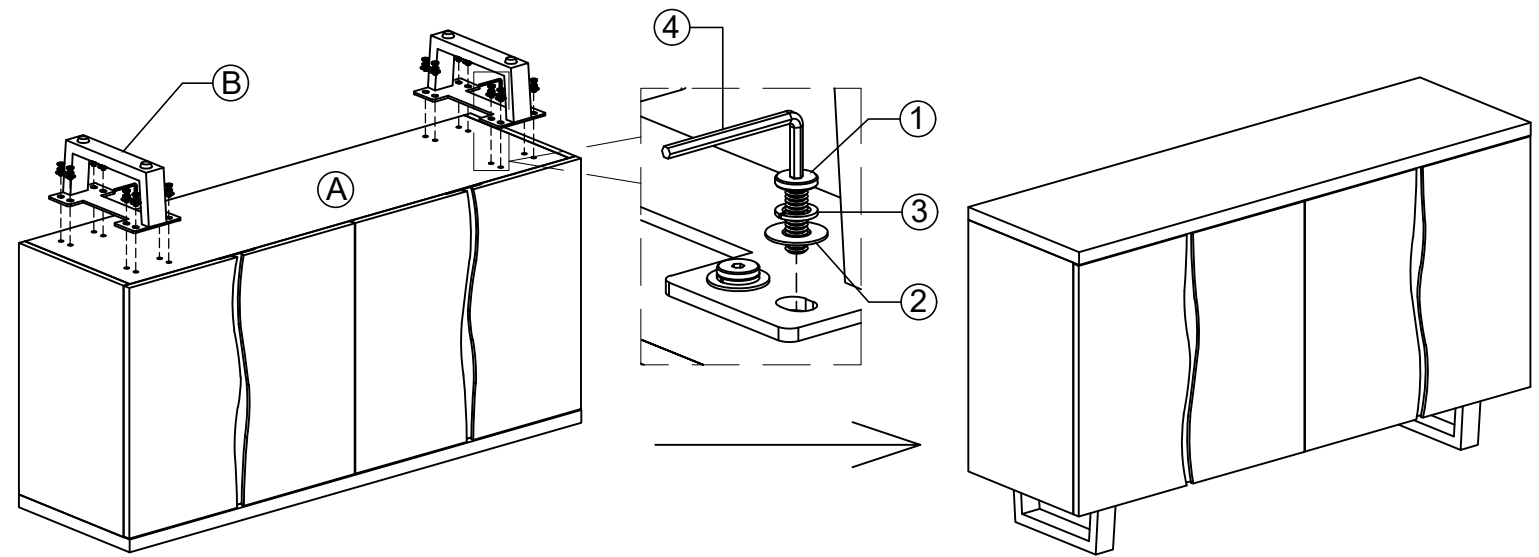
(5)	Bracket 	2
-----	---	---

(6)	Tie 	1
-----	---	---

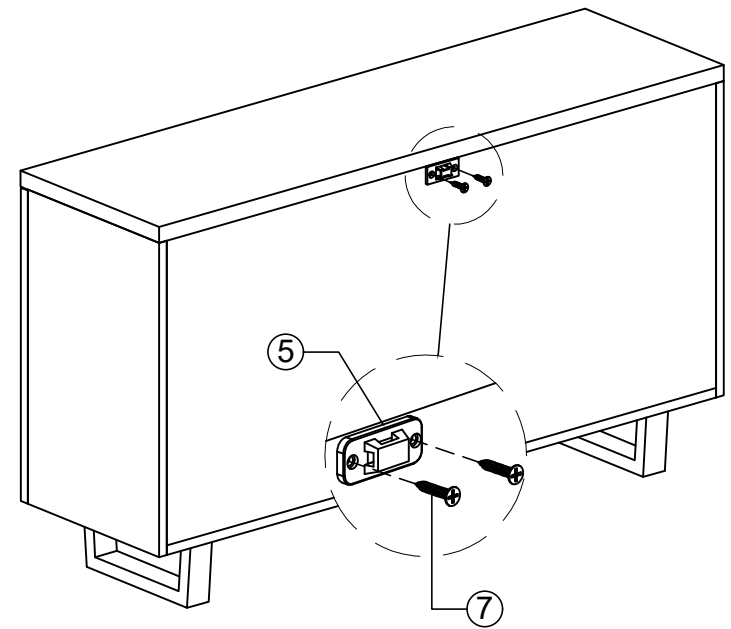
(7)	Screw Ø4x20 	2
-----	---	---

Screwdriver (not included) 		
--	--	--

## STEP 1



## STEP 2



## FINAL

