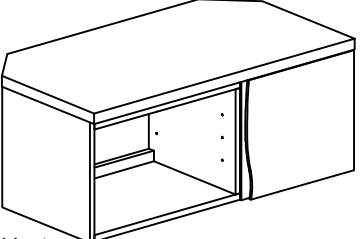
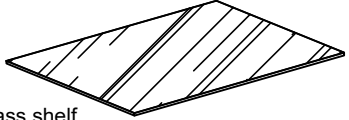
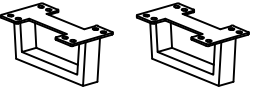
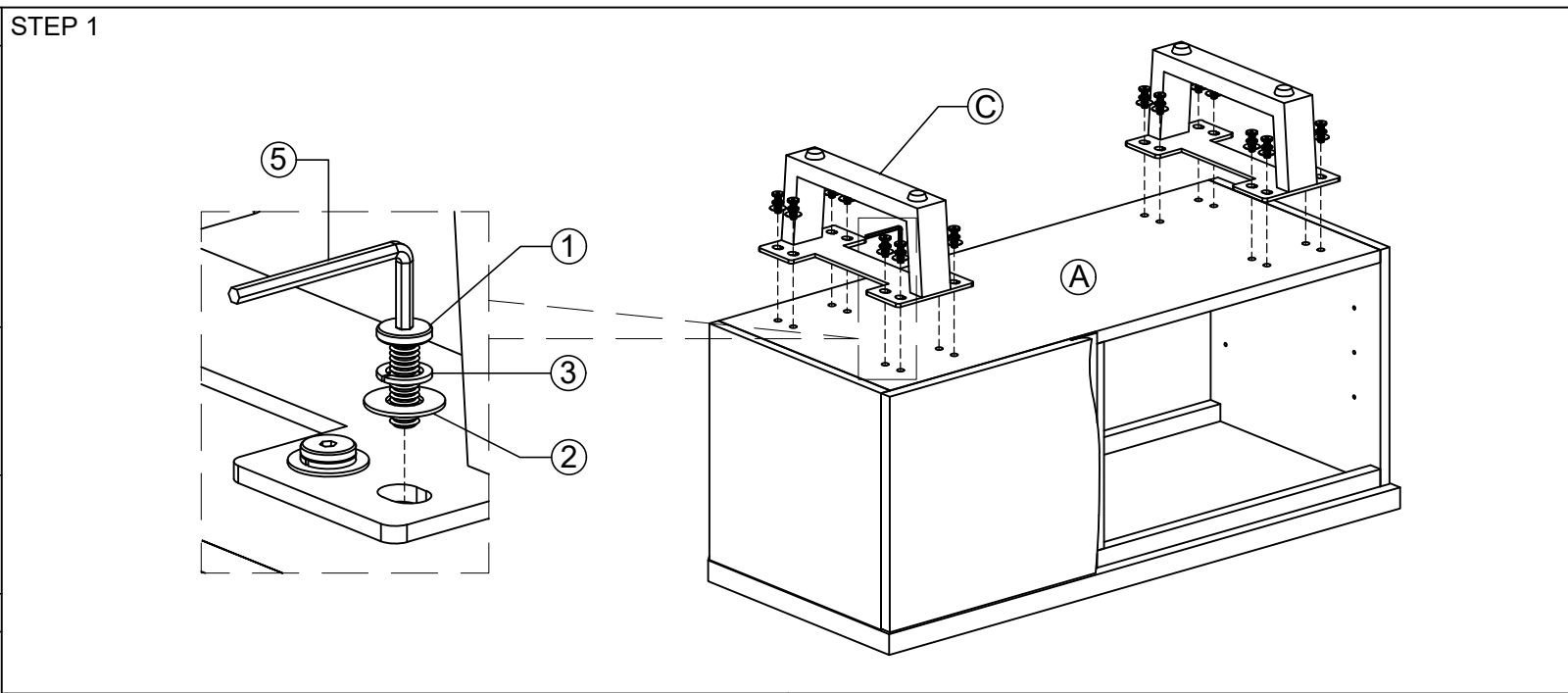




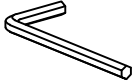


ASSEMBLY INSTRUCTION G7497 - CORNER TV UNIT

No	Name of Component	Q.ty
(A)	 Cabinet	1
(B)	 Glass shelf	1
(C)	 Legs	2



No	Name of Hardware	Q.ty
(1)	Bolt M8 x 15 	16
(2)	Flat Washer M8 	16
(3)	Spring Washer M8 	16
(4)	Shelf support 	4
(5)	Allen key K4 	1

