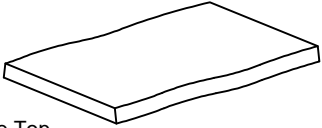
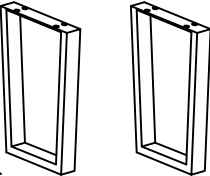
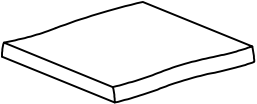
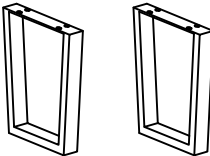






# ASSEMBLY INSTRUCTION G7492 - NEST OF TABLE

No	Name of Component	Q.ty
(A)	 Large Top	1
(B)	 Height Legs	2
(C)	 Small Top	1
(D)	 Small Legs	2
No	Name of Hardware	Q.ty
(1)	Bolts M8 x 25 	16
(2)	Spring Washers M8 	16
(3)	Flat Washers M8 	16
(4)	Allen key K4 	1

