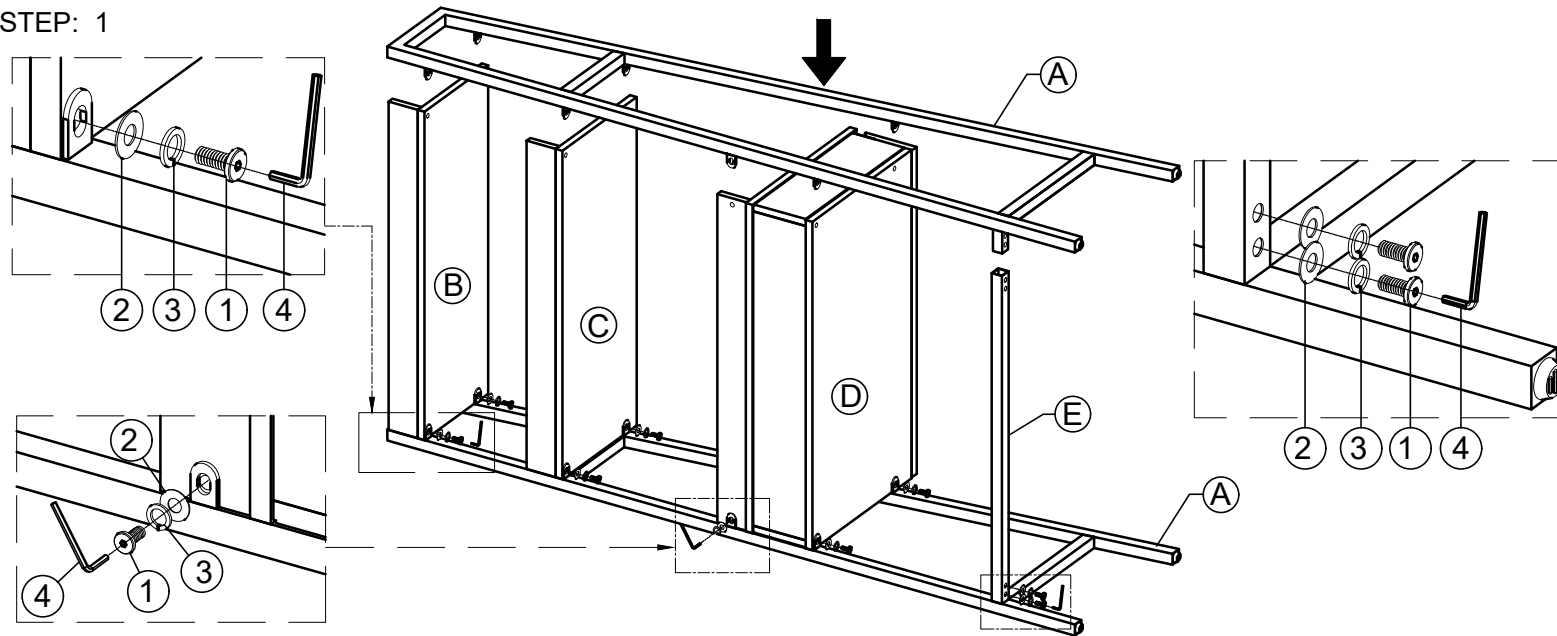


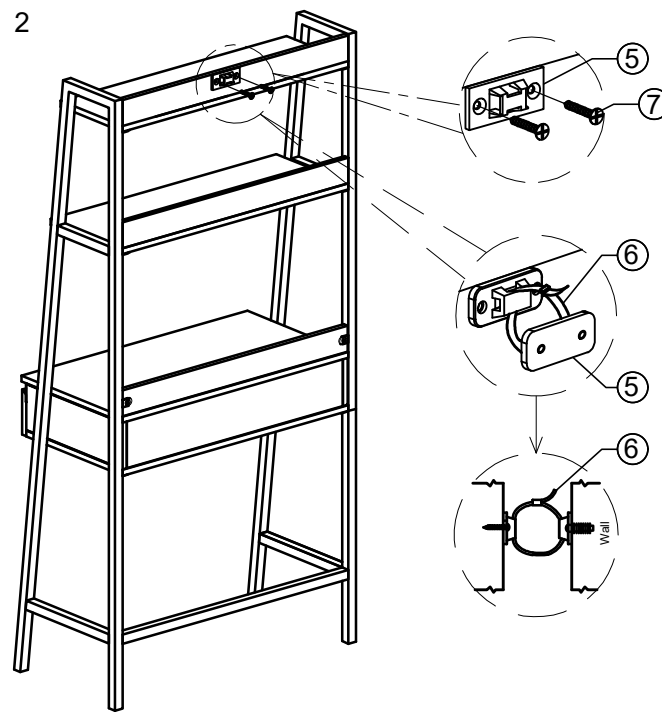
ASSEMBLY INSTRUCTION G7490 - DESK WITH BOOKCASE

No	Name of Component	Q.ty
(A)	Leg Frame (Left - Right)	2
(B)	Upper shelf	1
(C)	Middle shelf	1
(D)	Drawer Box	1
(E)	Stretchers	1

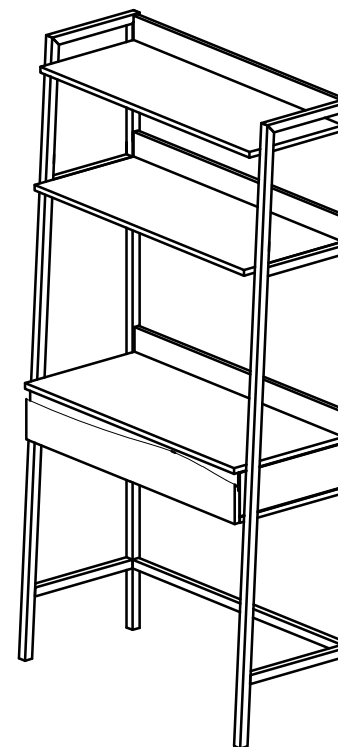
STEP: 1



STEP: 2



FINAL



No	Name of Hardware	Q.ty
(1)	Bolts M6 x 15	18 Pcs
(2)	Flat Washers 1 x 6 x 16	18 Pcs
(3)	Spring Washer M6	18 Pcs
(4)	Allen key K4	1 Pc
(5)	Plastic bracket	2 Pcs
(6)	Tie	1 Pc
(7)	Screw Ø4x15	2 Pcs
Screwdriver (not included)		