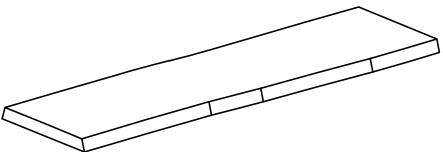
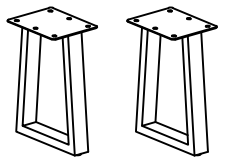
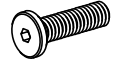





ASSEMBLY INSTRUCTION

G7489 - BENCH 1400

No	PARTS NAME	Q.ty (pcs)
Ⓐ	 Top	1
Ⓑ	 Legs	2
No	LIST OF HARDWARE	Q.ty (pcs)
①	Bolts M8x25 	12
②	Spring Washers M8 	12
③	Flat Washers M6 	12
④	Allen key K4 	1

STEP 1

