











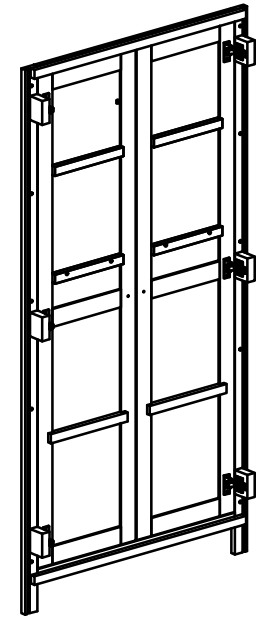
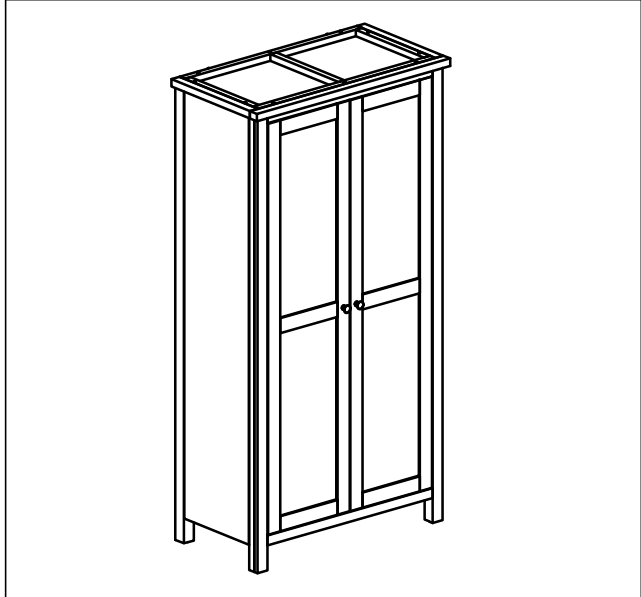


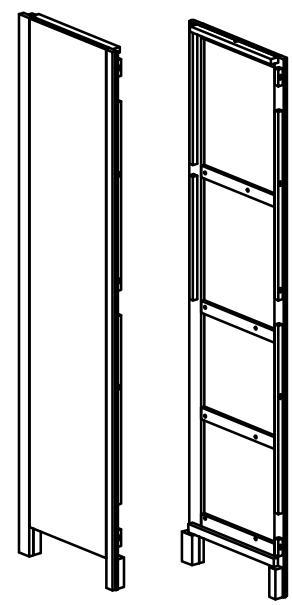
ASSEMBLY INSTRUCTION KITCHEN LARDER UNIT UNIT

No	LIST OF HARDWARE	Q.ty (pcs)
①	Bolts M6x30 	30
②	Flat Washers 	30
③	Allen key K4 	2
④	Screw Ø4 x 30 	16
⑤	Screw Ø4 x 15 	18
⑥	Wooden dowel Ø10x30 	1
⑦	Screw Ø4 x 35 	10
⑧	Handle with bolts 	2 Sets
⑨	Plastic bracket 	4
⑩	Tie 	2
⑪	Screw Ø4x20 	8

Screwdriver (not included) 



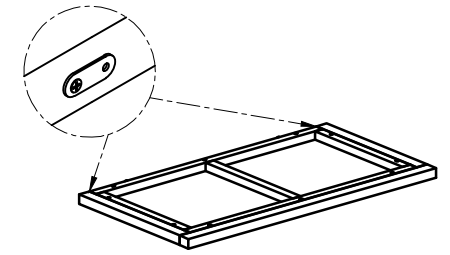
Ⓐ x1: Front Frame



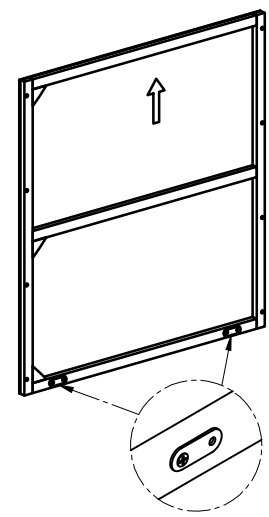
Ⓑ x2: Side Frame (Left -Right)



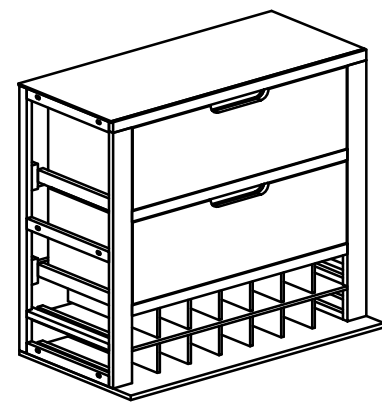
Ⓒ x1: Shelf Frame



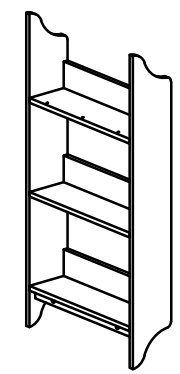
Ⓓ x1: Top Frame



Ⓔ x1: Back Frame



Ⓕ x1: Cabinet

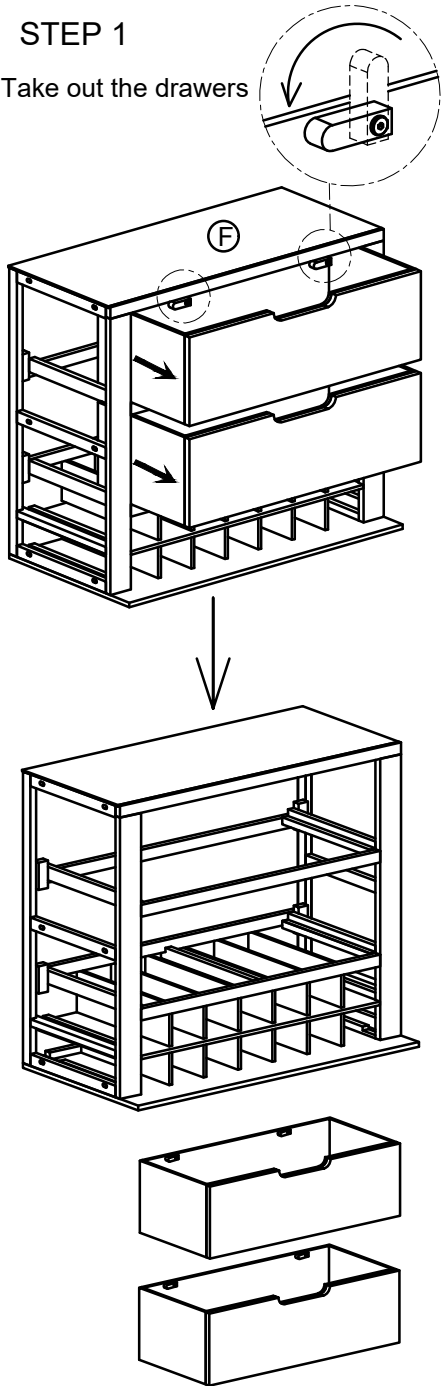


Ⓖ x2: Tray Storage

ASSEMBLY INSTRUCTION KITCHEN LARDER UNIT UNIT

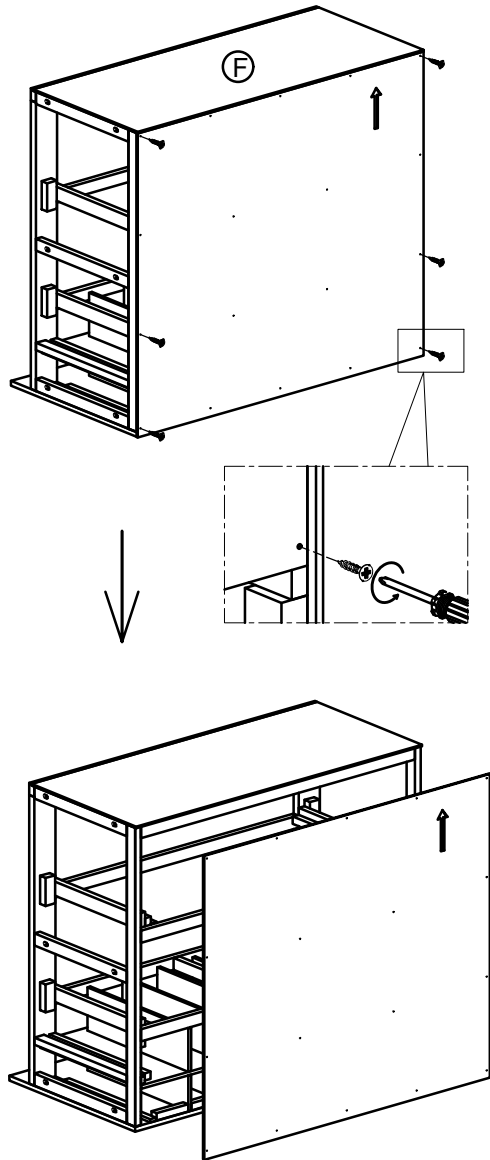
STEP 1

Take out the drawers

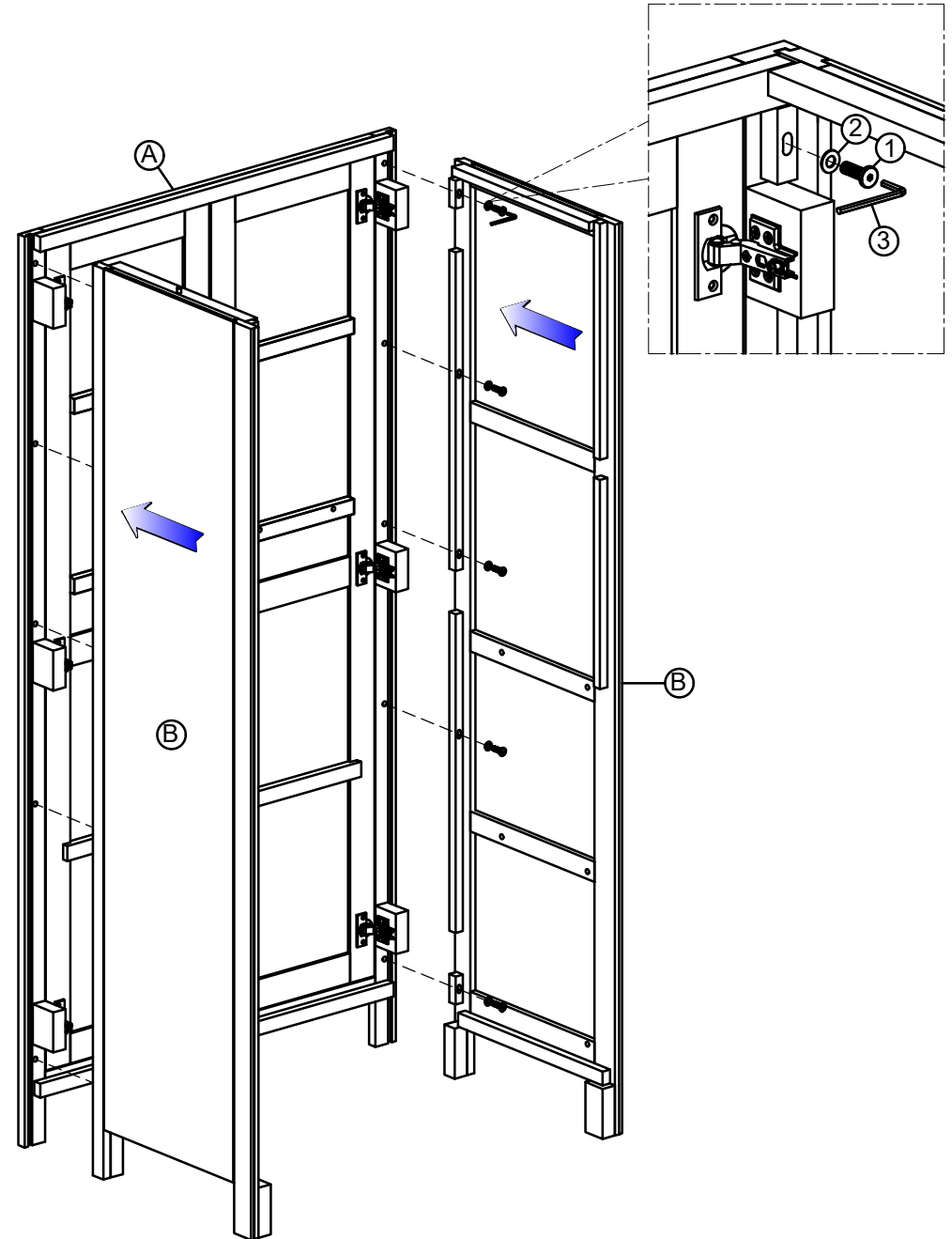


STEP 2

Take out the Back panel

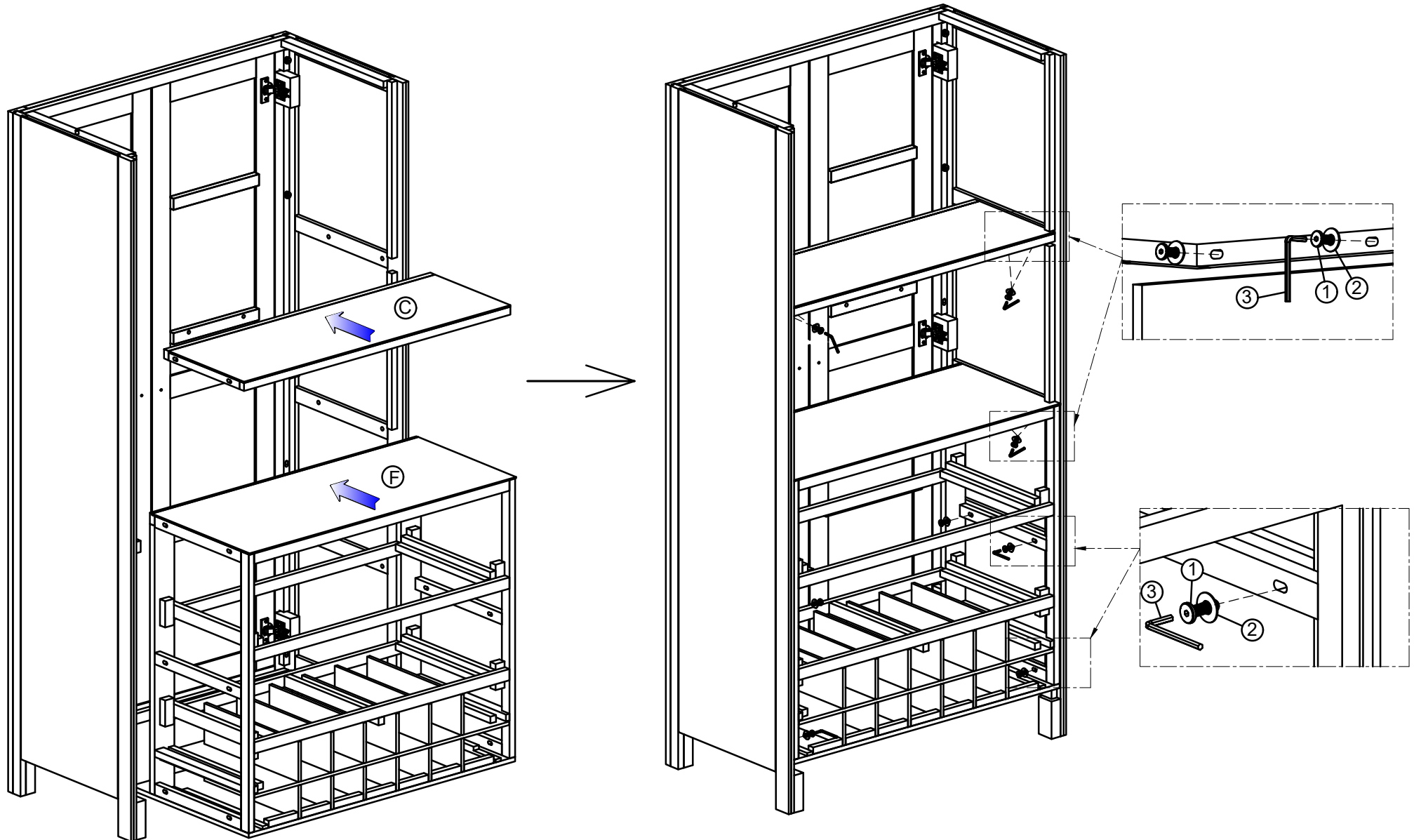


STEP 3



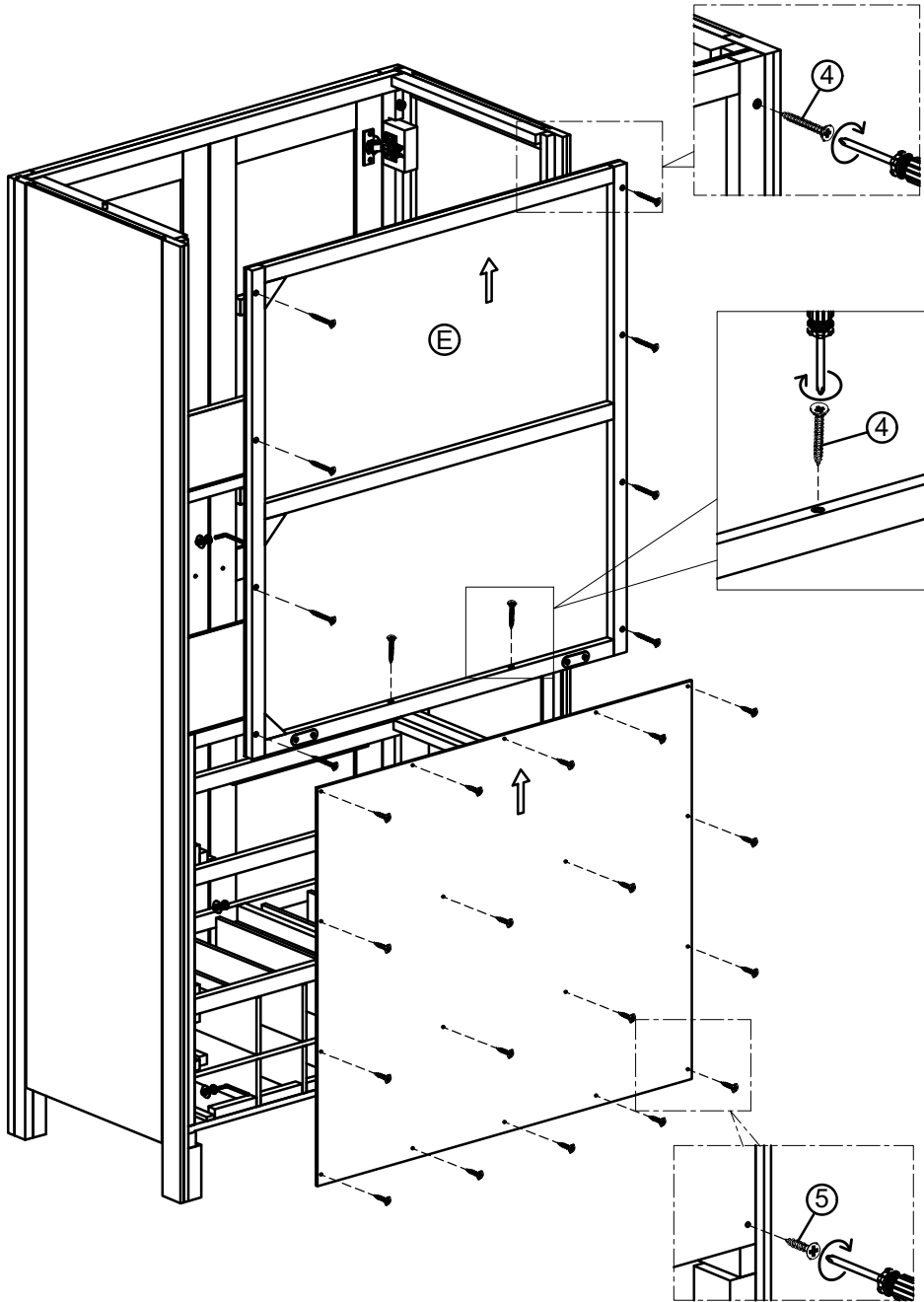
ASSEMBLY INSTRUCTION KITCHEN LARDER UNIT UNIT

STEP 4

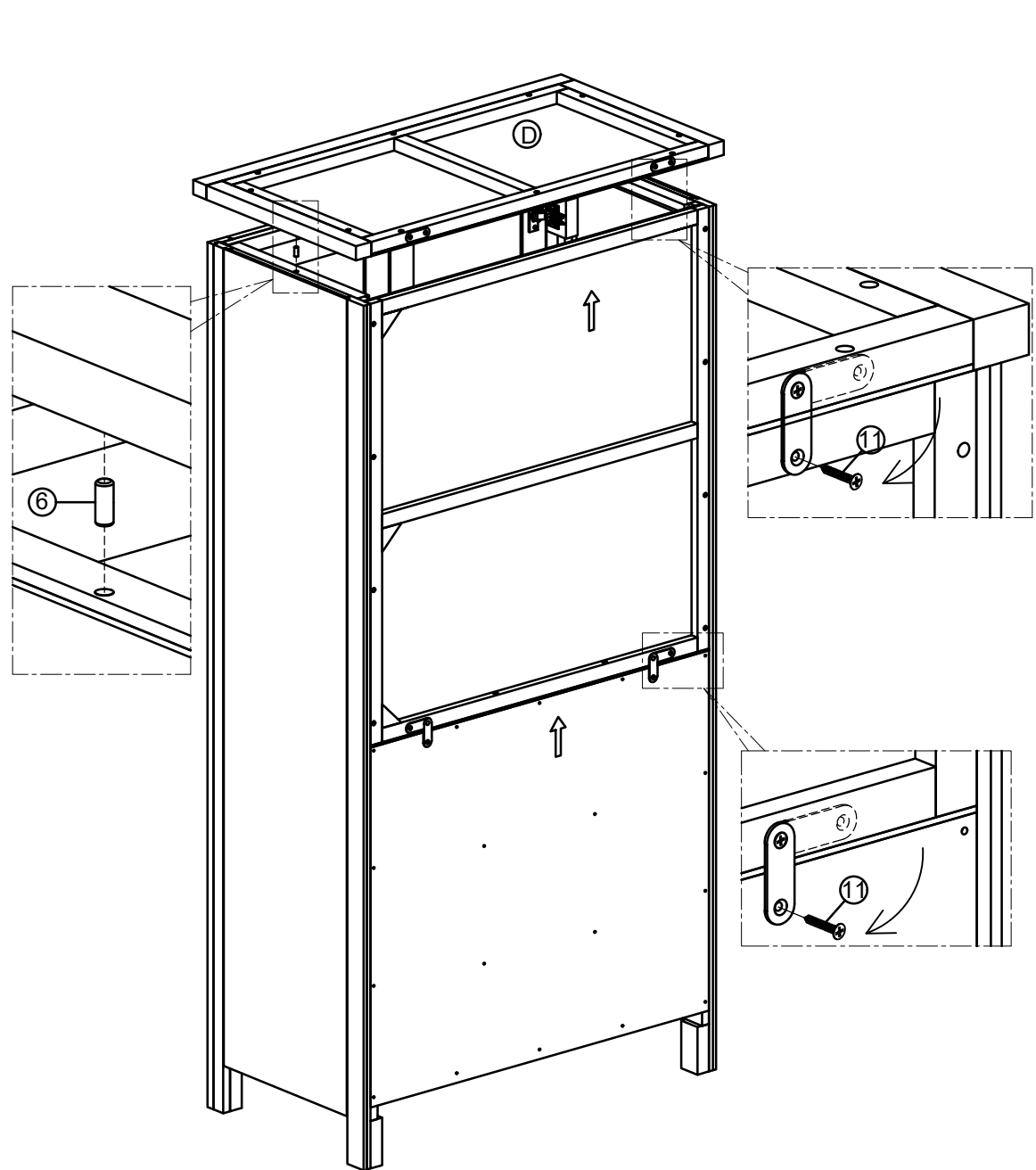


ASSEMBLY INSTRUCTION KITCHEN LARDER UNIT UNIT

STEP 5

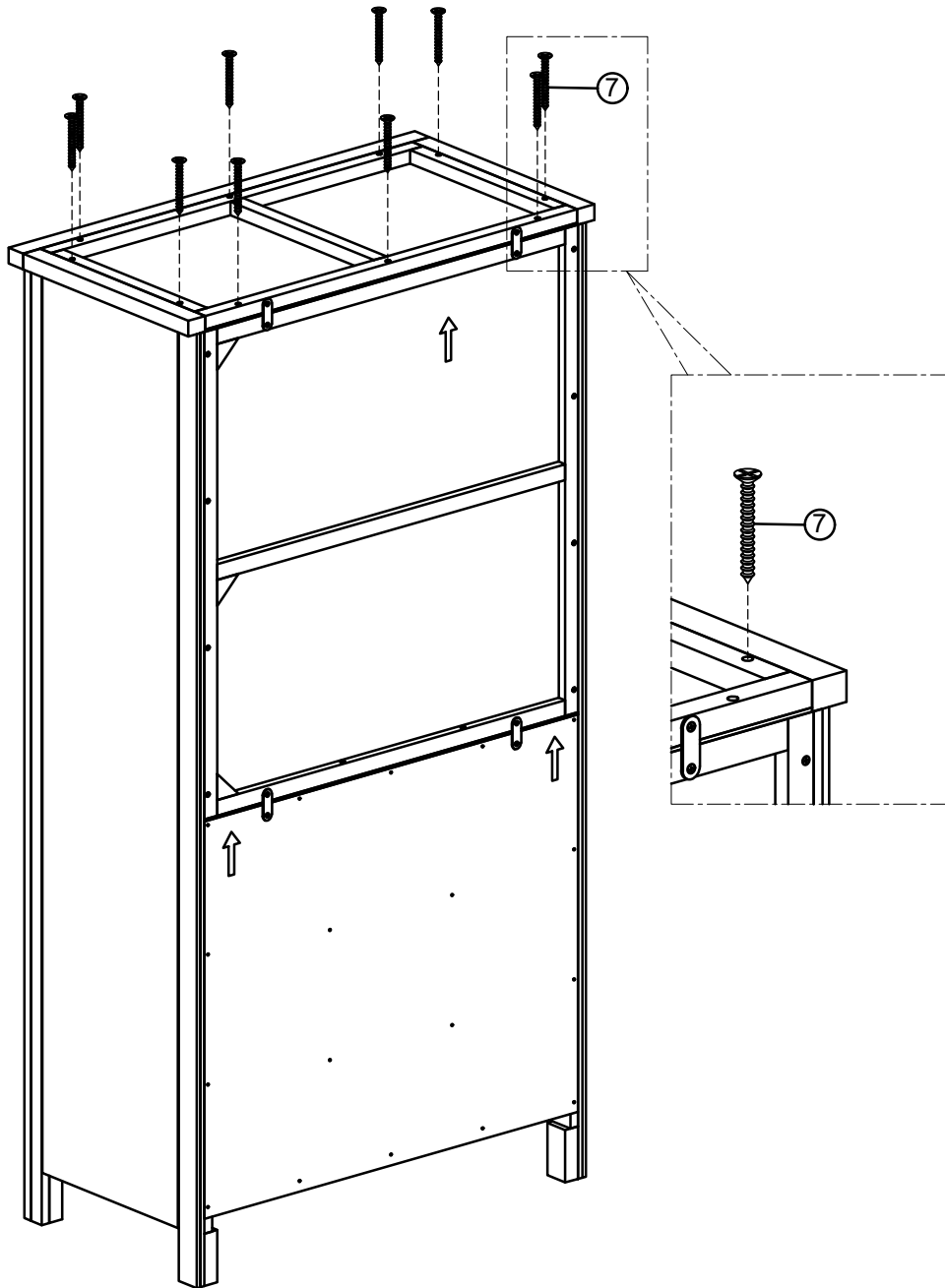


STEP 6

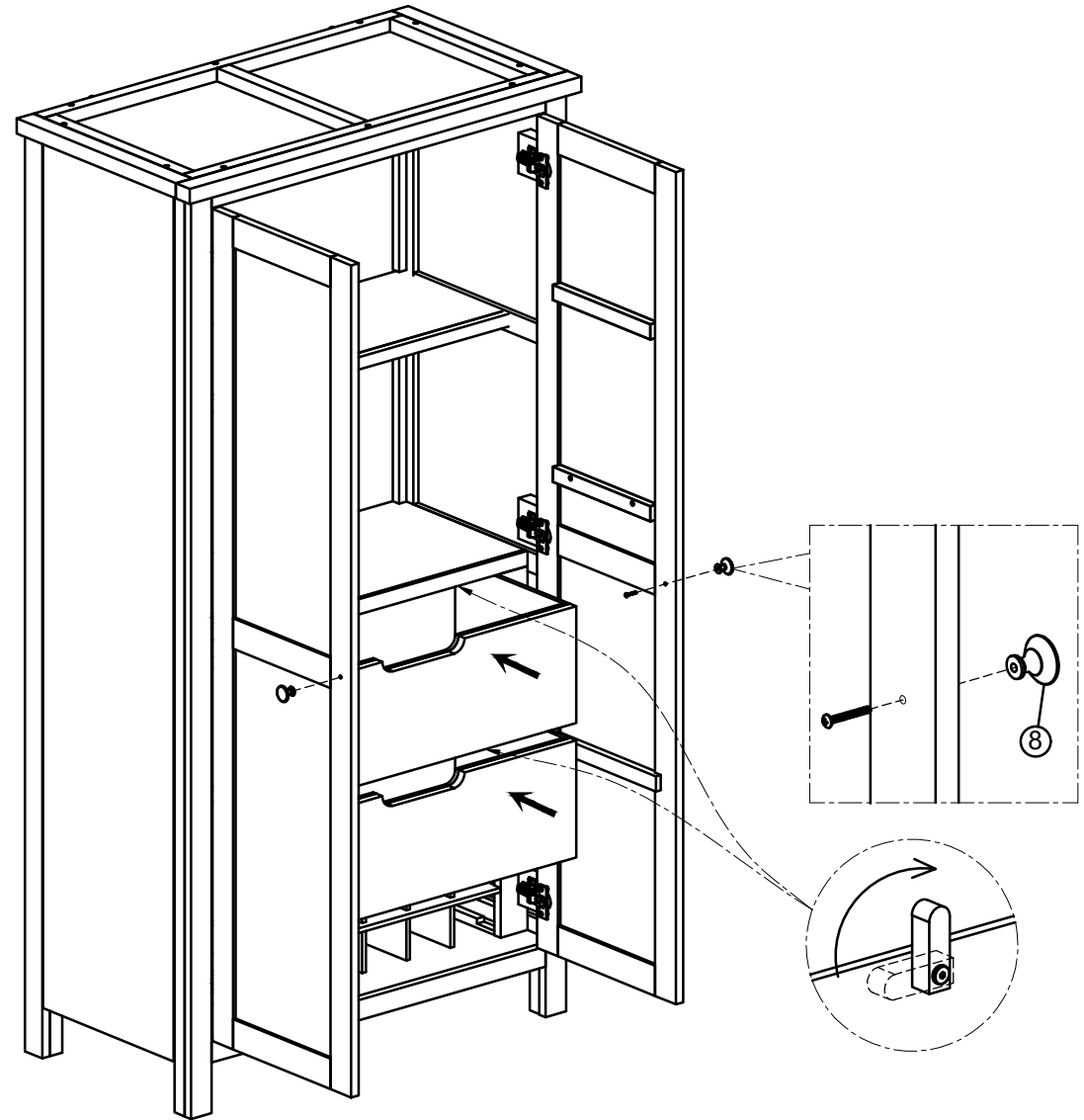


ASSEMBLY INSTRUCTION KITCHEN LARDER UNIT UNIT

STEP 7

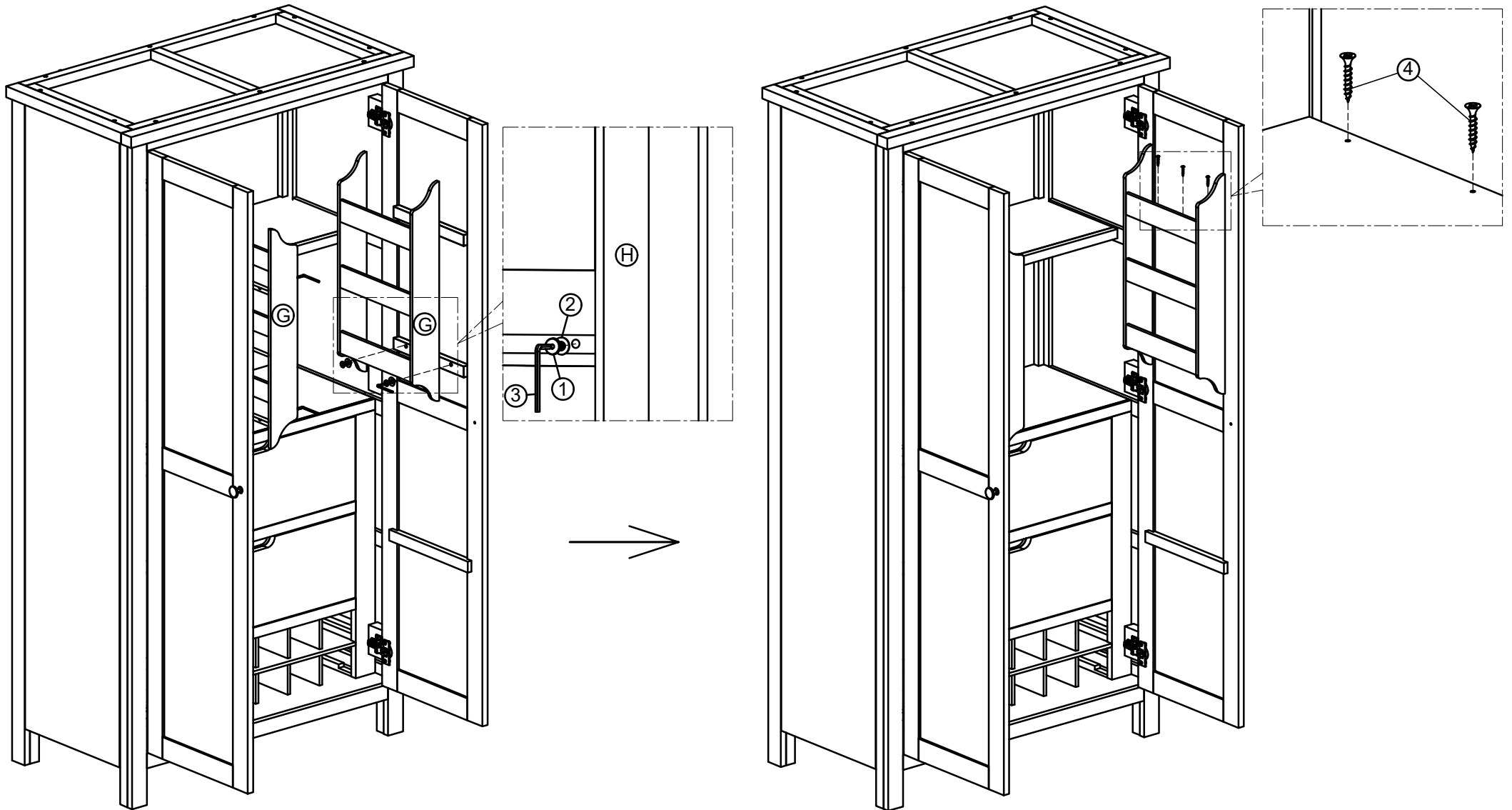


STEP 8



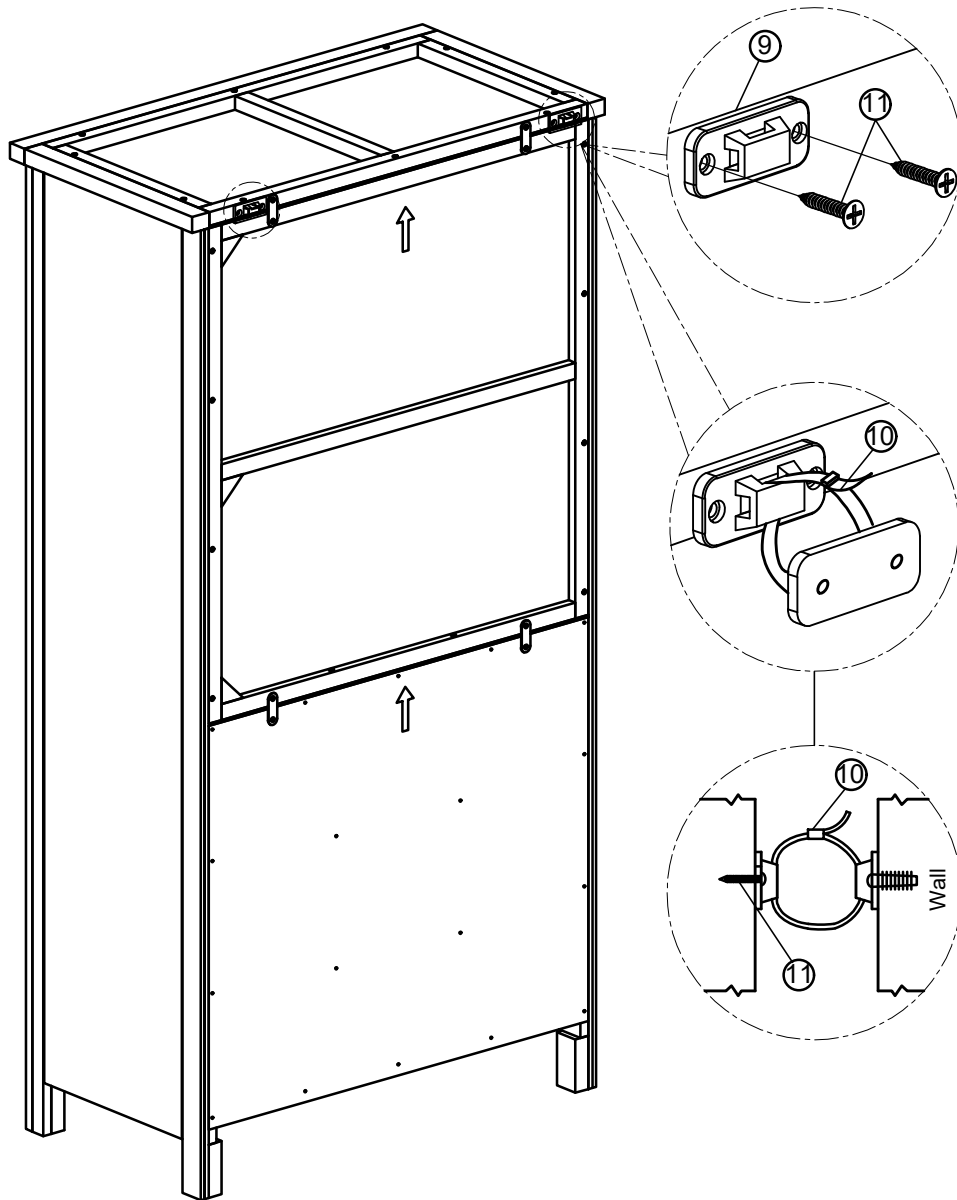
ASSEMBLY INSTRUCTION KITCHEN LARDER UNIT UNIT

STEP 9

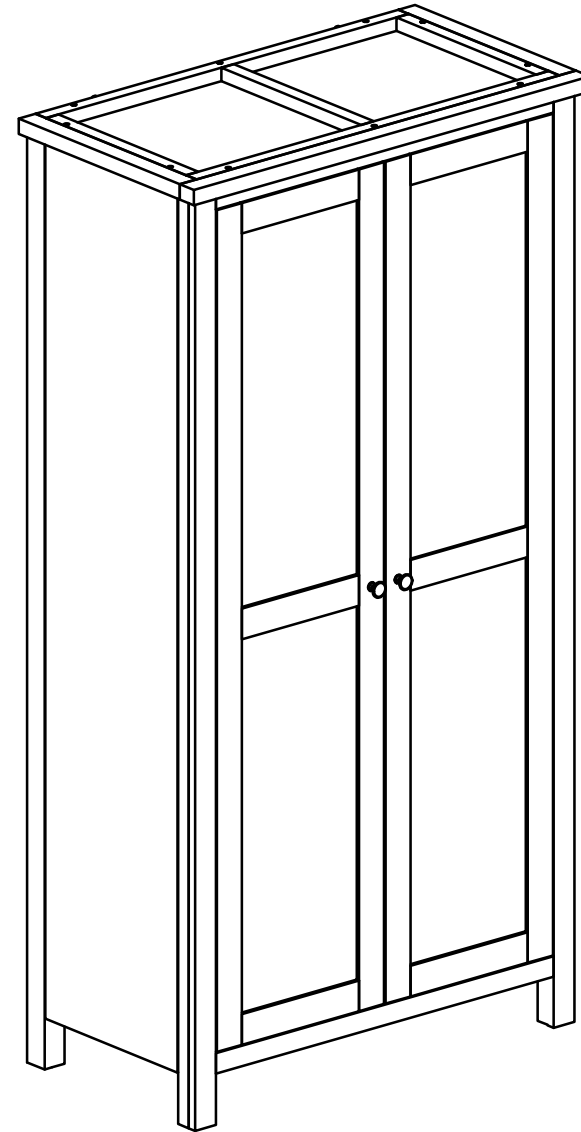


ASSEMBLY INSTRUCTION KITCHEN LARDER UNIT UNIT

STEP 10



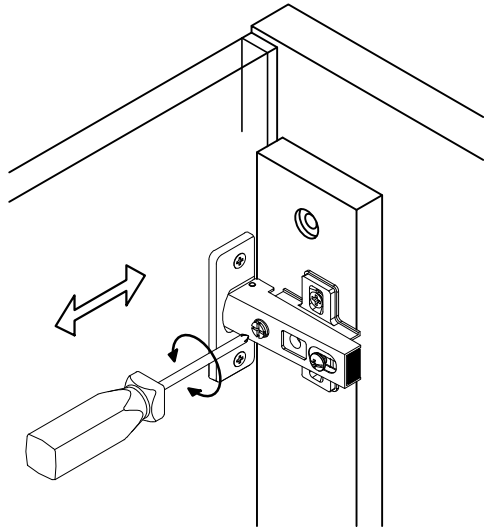
FINAL



HINGE ADJUSTMENT INSTRUCTIONS

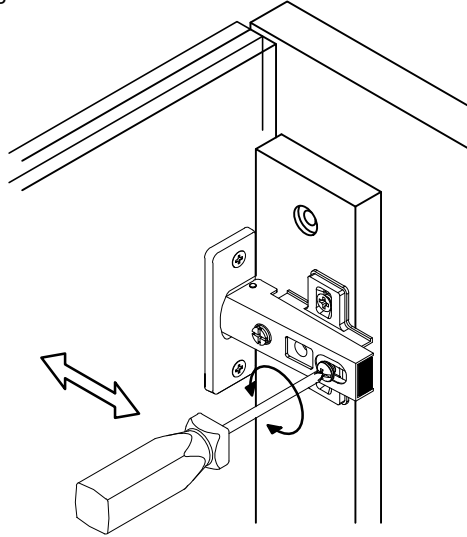
LATERAL ADJUSTMENT

by screw adjustment.



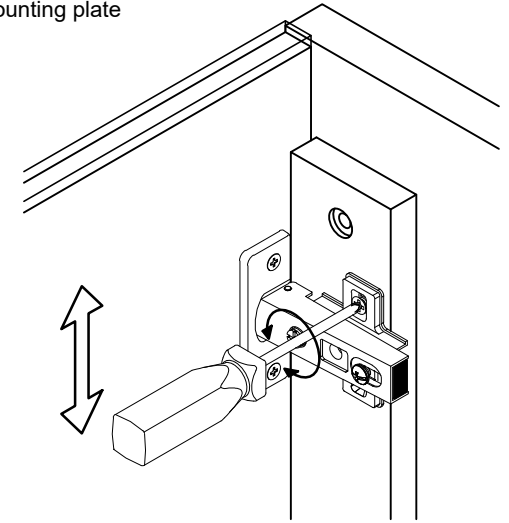
FRONT-TO-BACK

by slackening and retightening the hinge-arm mounting screw.

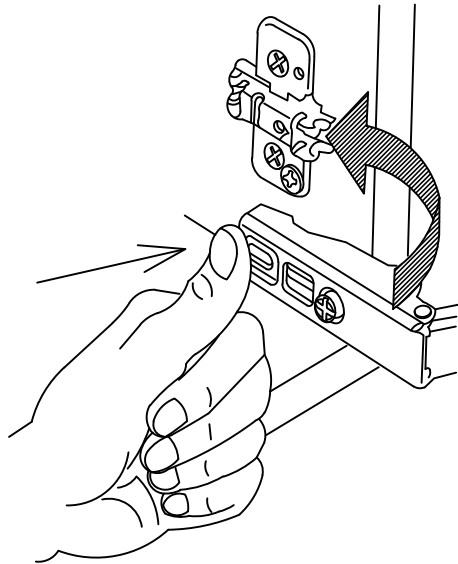


VERTICAL ADJUSTMENT

via slots on mounting plate by slackening and retightening the screws on mounting plate



ASSEMBLY



DISASSEMBLY

