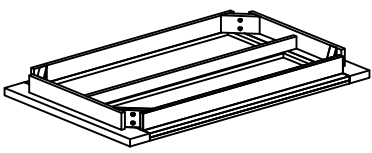
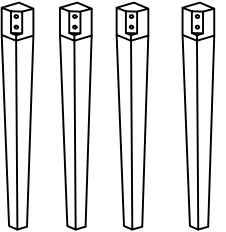
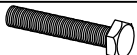





ASSEMBLY INSTRUCTION FIX DINING TABLE 1200

No	Name of Component	Q.ty
Ⓐ	 Top Frame	1

Ⓑ	 Legs	4
---	---	---

No	Name of Hardware	Q.ty
①	Bolts M8x60 	8
②	Spring Washers 	8
③	Flat Washers 	8
④	Wrench 	1

