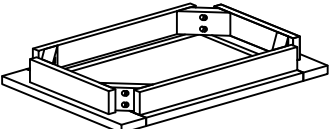
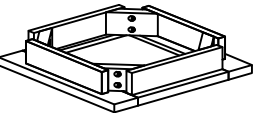
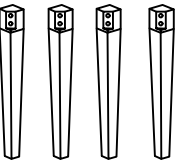
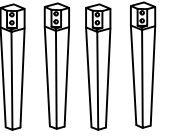
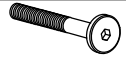





ASSEMBLY INSTRUCTION NETS OF TABLE SET

| No | Name of Component | Q.ty |
|-----|--|------|
| (A) |  Large Frame | 1 |
| (B) |  Small Frame | 1 |
| (C) |  Hight Legs | 4 |
| (D) |  Short Legs | 4 |
| No | Name of Hardware | Q.ty |
| (1) |  Bolts M6x50 | 16 |
| (2) |  Spring Washers | 16 |
| (3) |  Flat Washers | 16 |
| (4) |  Allen key K4 | 1 |

