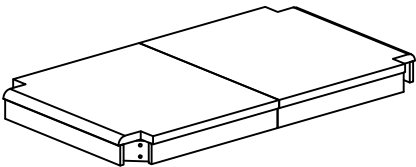
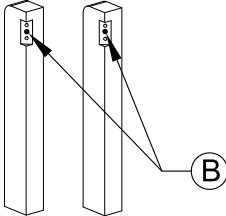
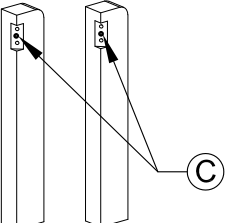
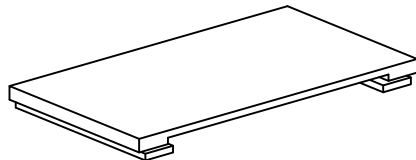
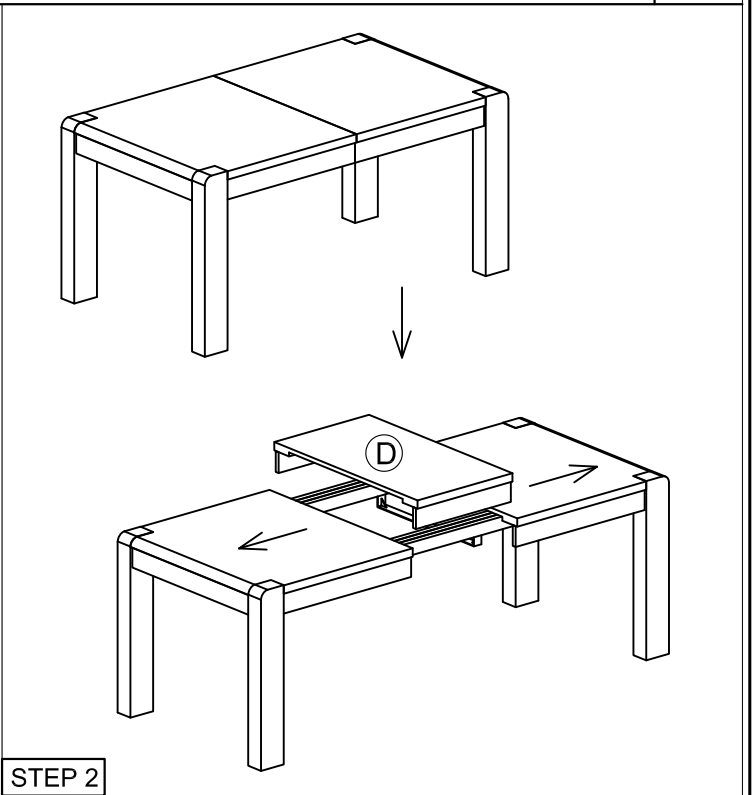
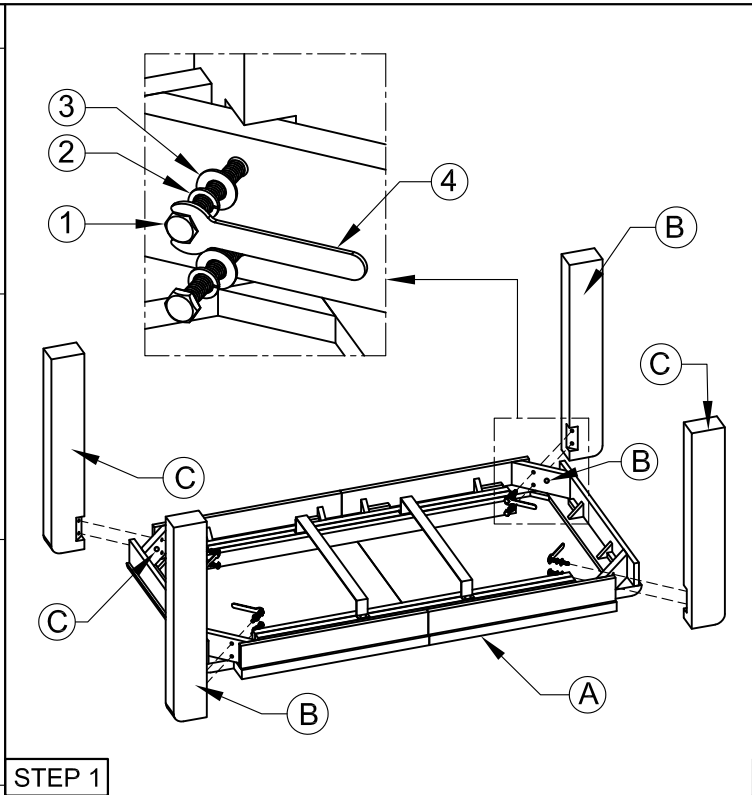
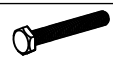





ASSEMBLY INSTRUCTION G6156 - EXT. DINING TABLE

No.	Part name	Q'ty
A		1
B		2
C		2
D		1



No.	Hardware name	Q'ty
1	Bolt M10x60 	8
2	Lock Washer M10 	8
3	Flat Washer M10 	8
4	Wrench 	1

