



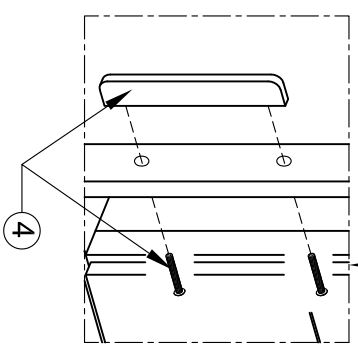
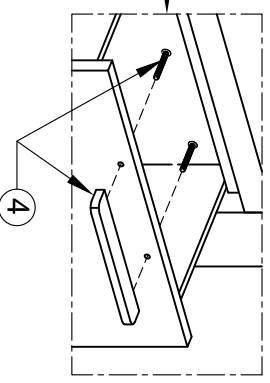
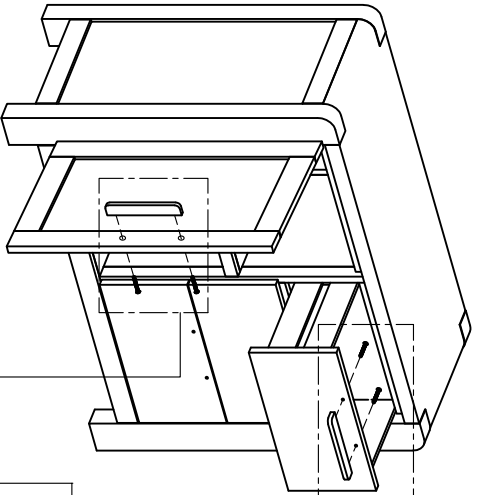
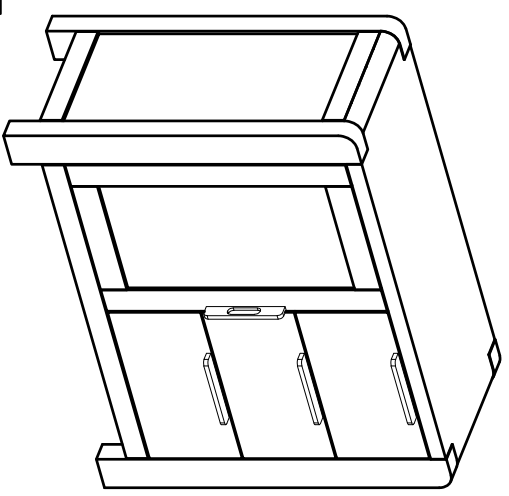


ASSEMBLY INSTRUCTION
G6155 - SMALL SIDEBOARD

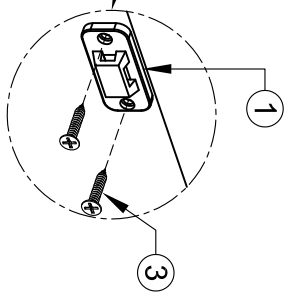
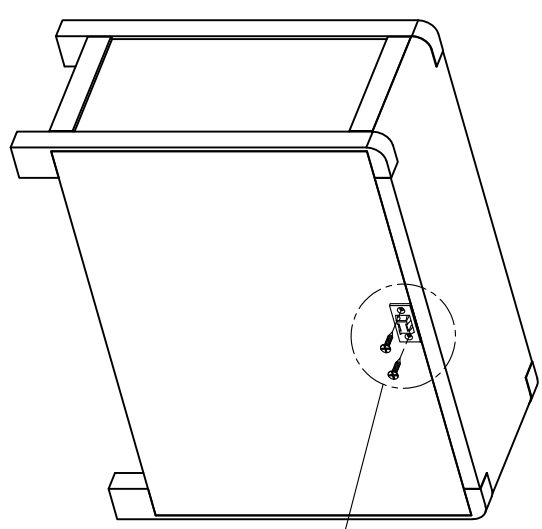
No.	Hardware name	Qty
1	Bracket 	2
2	Tie 	1
3	Screw $\varnothing 4 \times 20$ 	2
4	Handle with bolts 	4



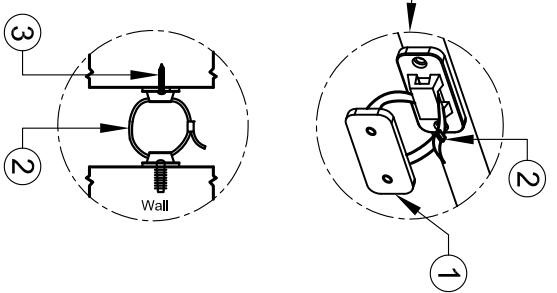
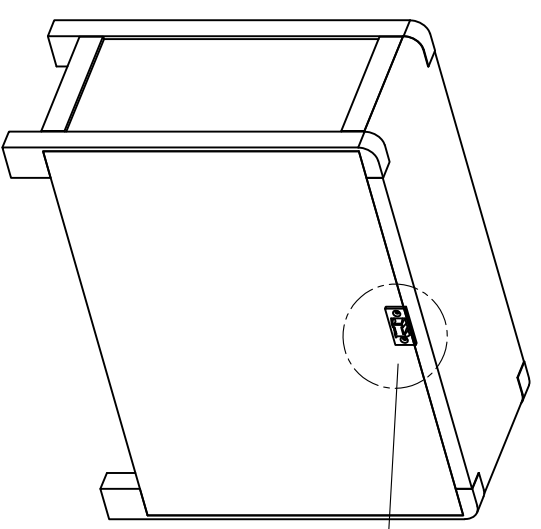
STEP 1



STEP 2



STEP 3



FINAL