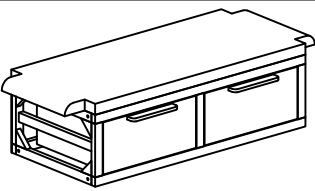
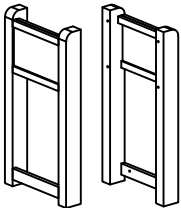
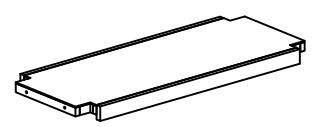
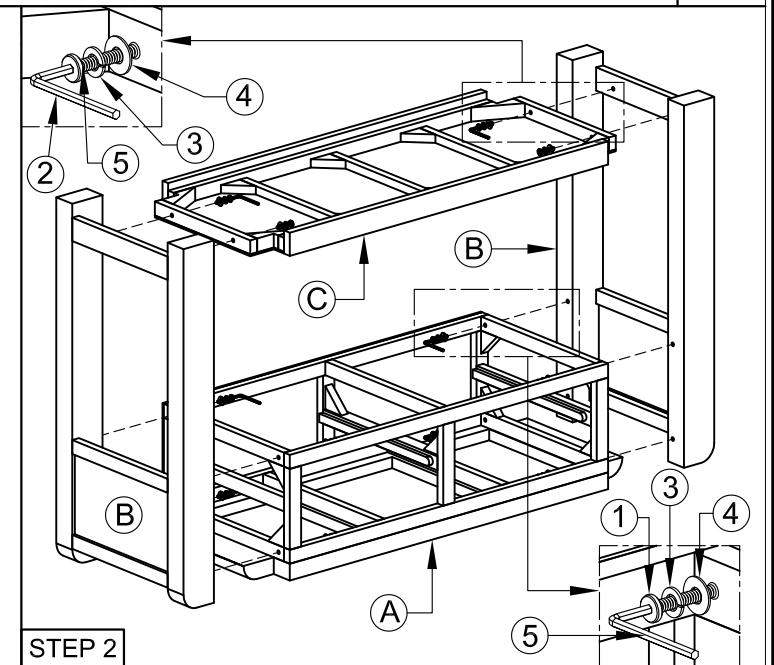
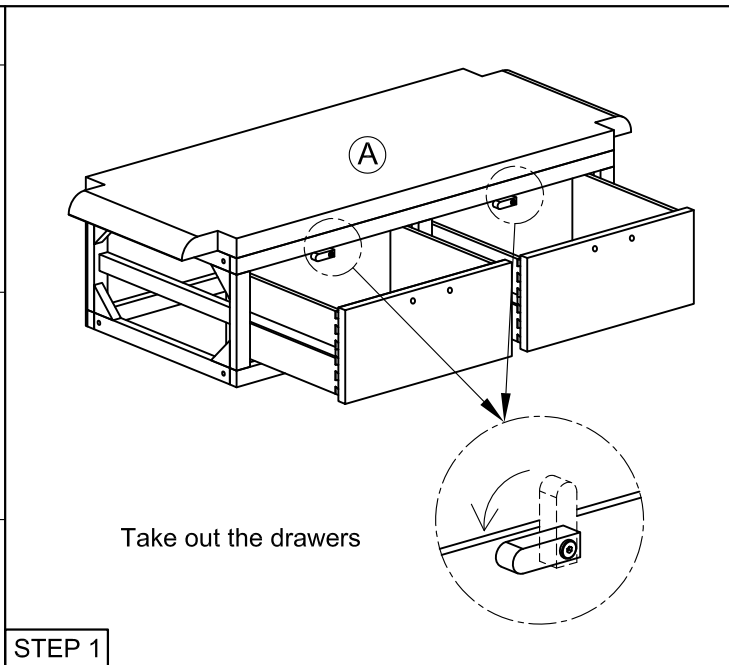



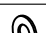





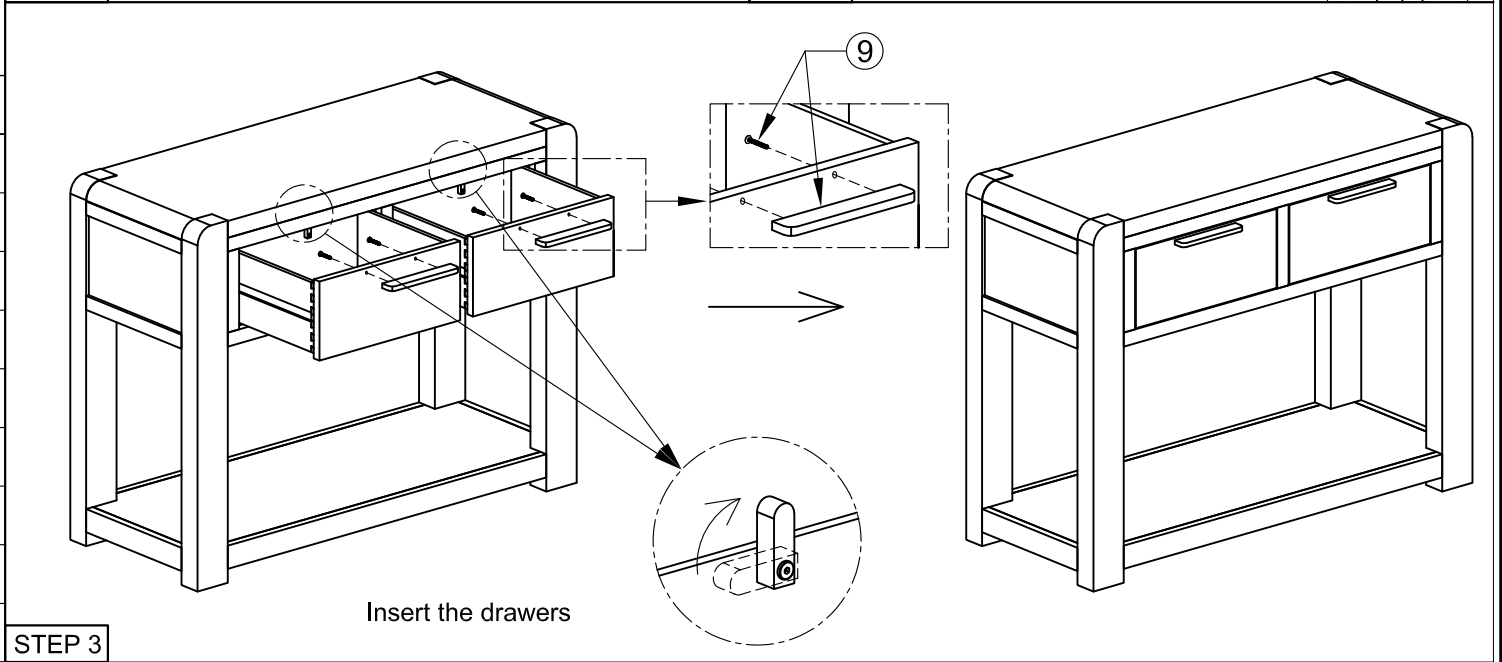


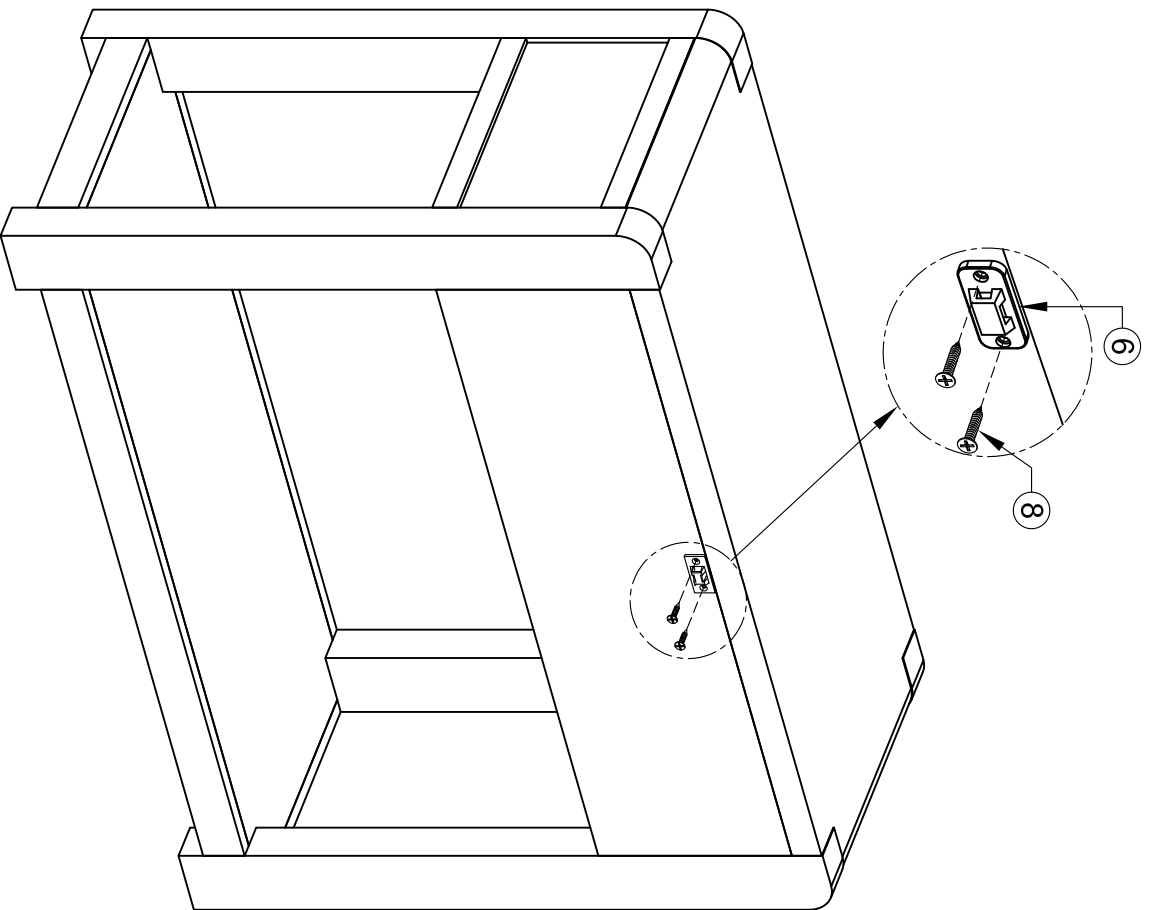
ASSEMBLY INSTRUCTION G6152 - CONSOLE TABLE

No.	Part name	Q'ty
A		1
B		2
C		1

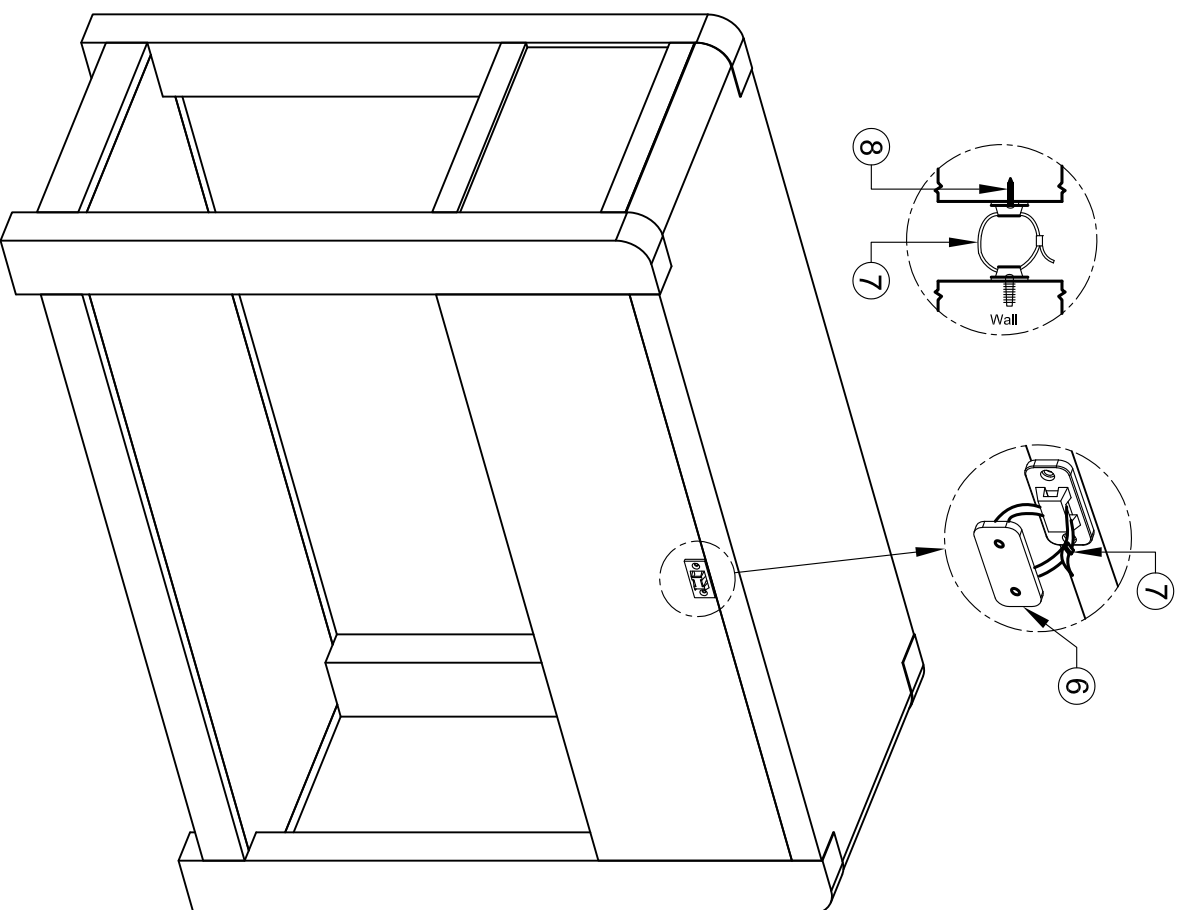


No.	Hardware name	Q'ty
1	Bolt M6x35 	8
2	Bolt M6x30 	4
3	Lock Washer M8 	12
4	Washer M8 	12
5	Allen key K4 	1
6	Bracket 	2
7	Tie 	1
8	Screw Ø4x20 	2
9	Handle with bolts 	2





STEP 4



FINAL