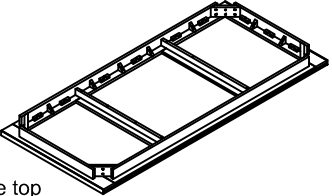
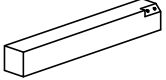






ASSEMBLY INSTRUCTION

G3119 - DINING TABLE 2200x1000

No	Name of Component	Q.ty
(A)	 Table top	1
(B)	 Leg	4
No	Name of Hardware	Q.ty
(1)	Bolt M10 x 70 	8
(2)	Washer Ø20/Ø11 x 2 	8
(3)	Spring Washer M10 	8
(4)	Spanner 	1

