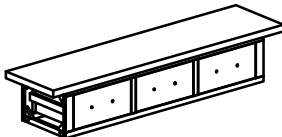

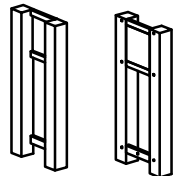
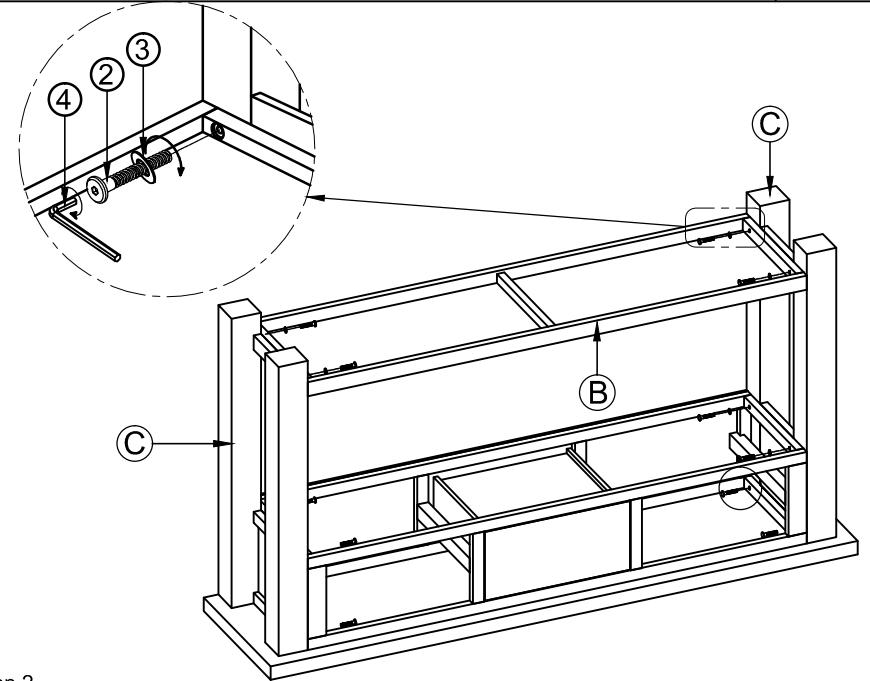
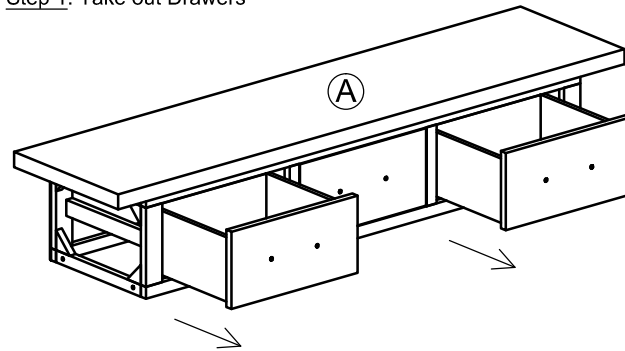









ASSEMBLY INSTRUCTION

G3112 - CONSOLE TABLE

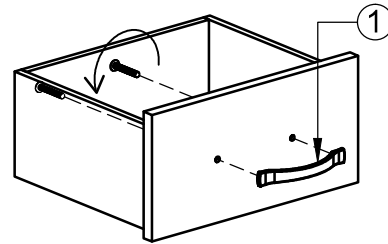
No	Name of Component	Q.ty
Ⓐ	 Table top frame	1
Ⓑ	 Shelf	1
Ⓒ	 Leg	2

Step 1: Take out Drawers

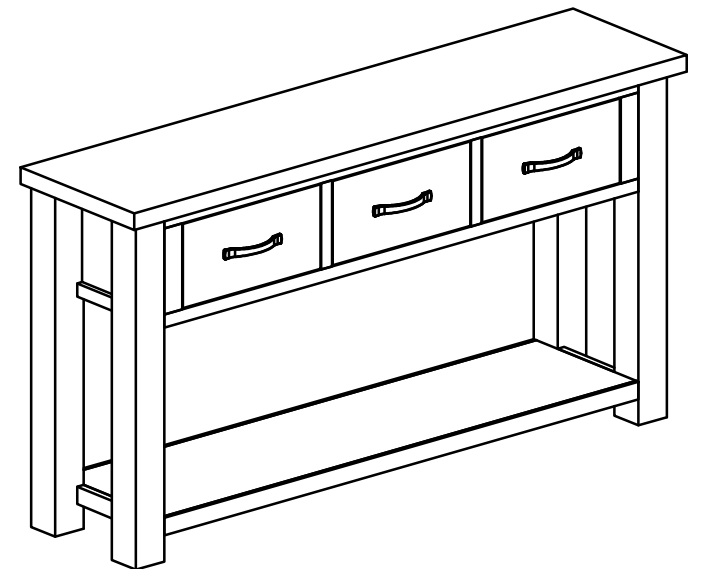
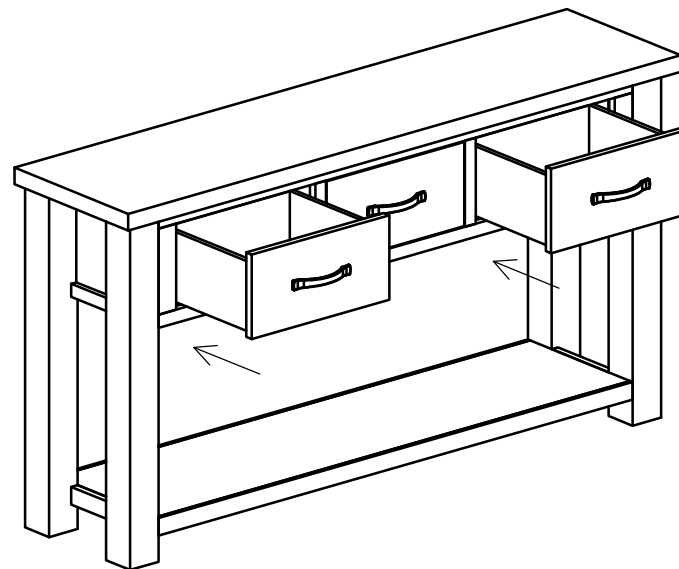


No	Name of Hardware	Q.ty
①	 Handle with Bolt	3
②	 Bolt M6 x 40	12
③	 Washer Ø7/Ø15 x 1	14
④	 Allen key (K4)	1
⑤	 Bracket	2
⑥	 Tie	1
⑦	 Screw Ø4 x 20	2

Step 2



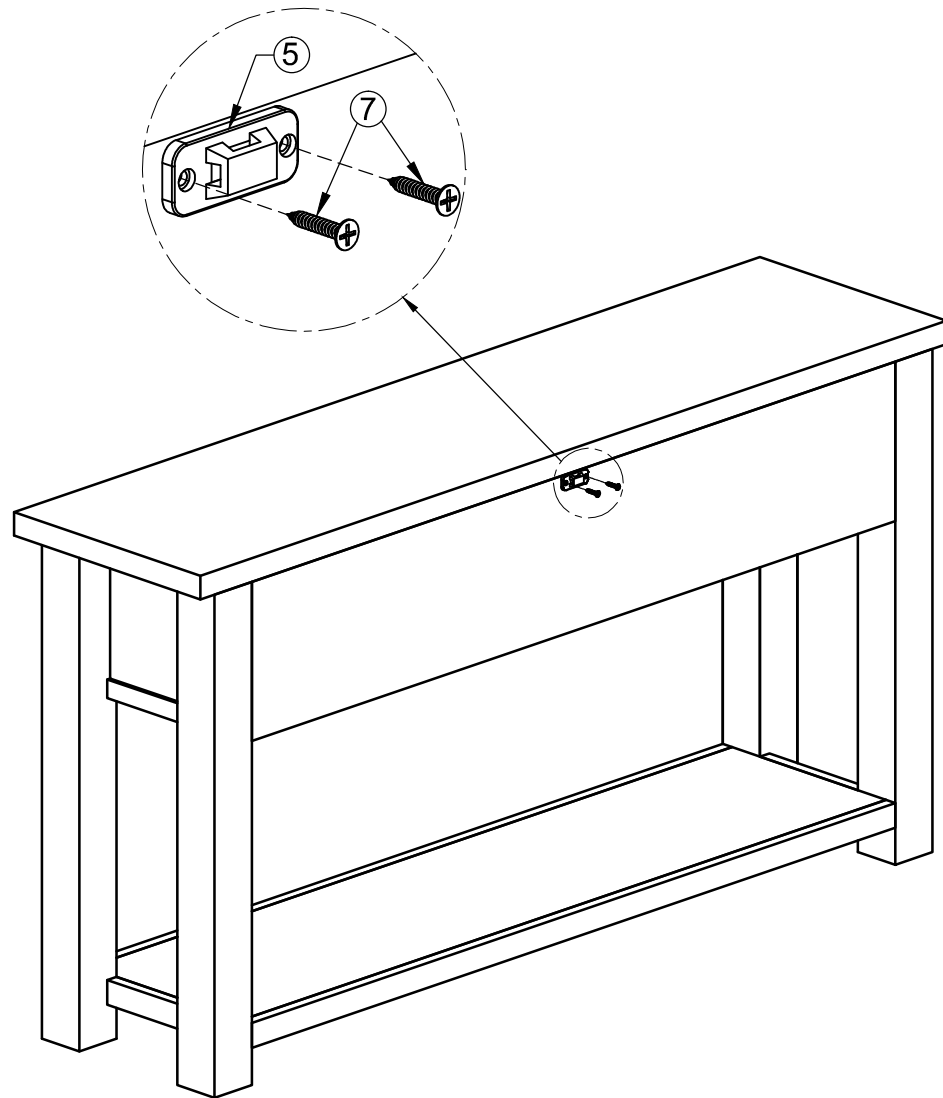
Step 2



Step 3: Insert the Drawers

ASSEMBLY INSTRUCTION G3112 - CONSOLE TABLE

Step 5



FINAL

