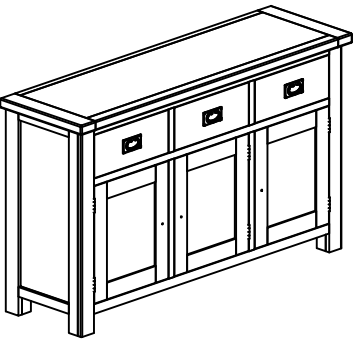







# ASSEMBLY INSTRUCTION LARGE SIDEBOARD

No	Name of Component	Q.ty
(A)		1

No	Name of Hardware	Q.ty
(1)	Bracket 	2
(2)	Tie 	1
(3)	Screw M4 x 20 	2
(4)	Screw M4 x 35 	2
(5)	Handle 	3 (Set)

