



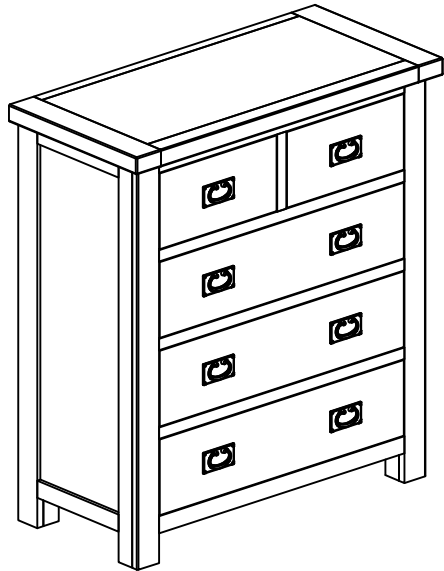
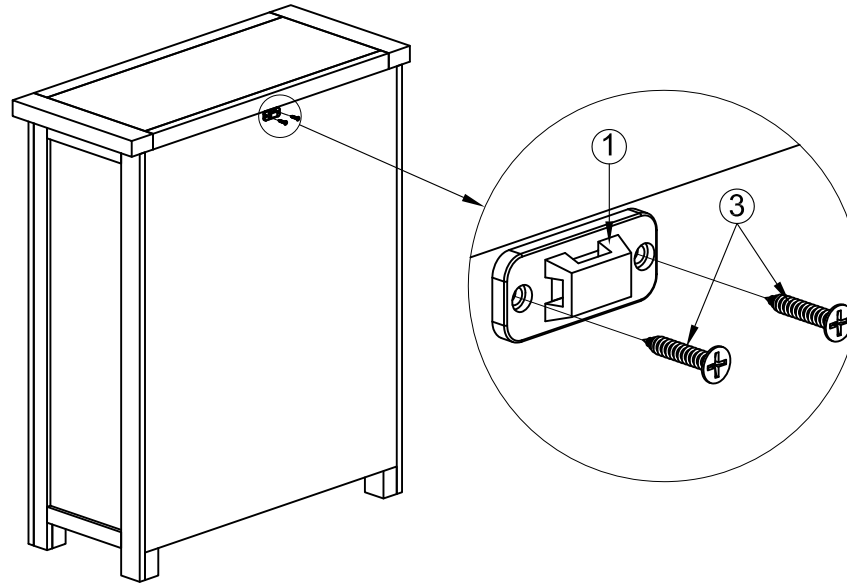


# ASSEMBLY INSTRUCTION CHEST 2 OVER 3

No	Name of Hardware	Q.ty
①	Bracket 	2
②	Tie 	1
③	Screw M4 x 20 	2
④	Screw M4 x 35 	2

## STEP 1



## FINAL

