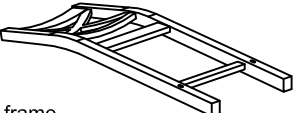


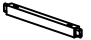


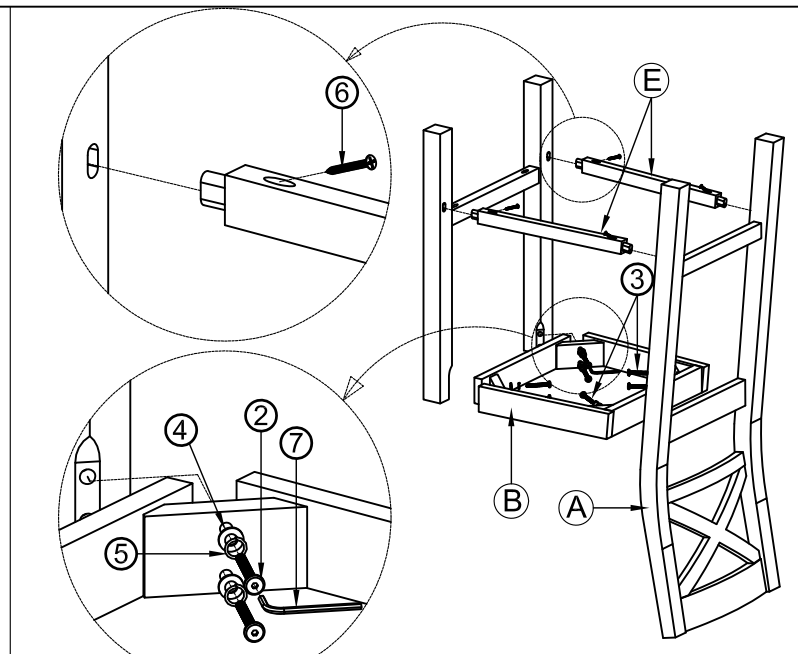
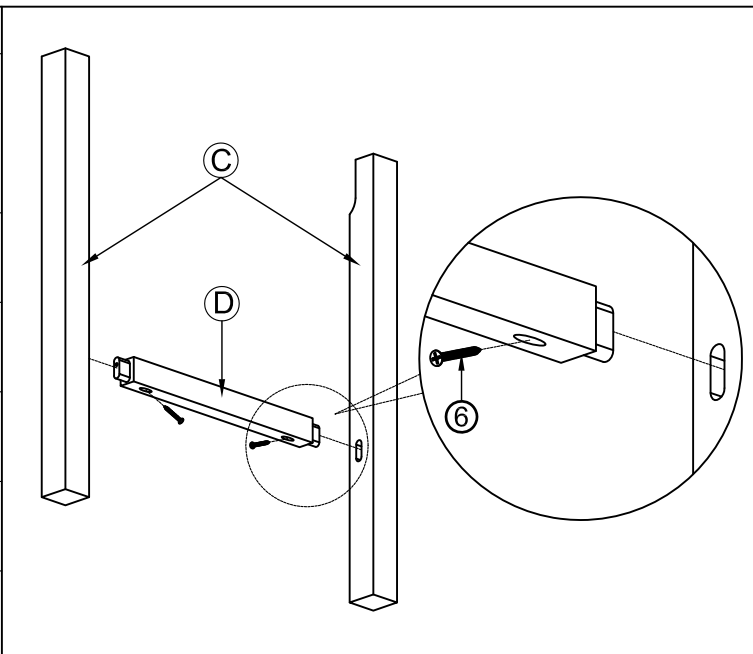
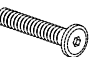








ASSEMBLY INSTRUCTION BAR STOOL

No	Name of Component	Q.ty
(A)	 Back frame	1
(B)	 Seat frame	1
(C)	 Leg (left + right)	2
(D)	 Support bar	1
(E)	 Support bar (left + right)	2
(F)	 Seat	1



No	Name of Hardware	Q.ty
(1)	 Bolt M6 x 40	1
(2)	 Bolt M6 x 60	4
(3)	 Bolt M6 x 80	4
(4)	 Washer Ø7/Ø15 x 1	9
(5)	 Washer Ø7/Ø15 x 1	9
(6)	 Screw M4 x 40	12
(7)	 Allen key (K4)	1

